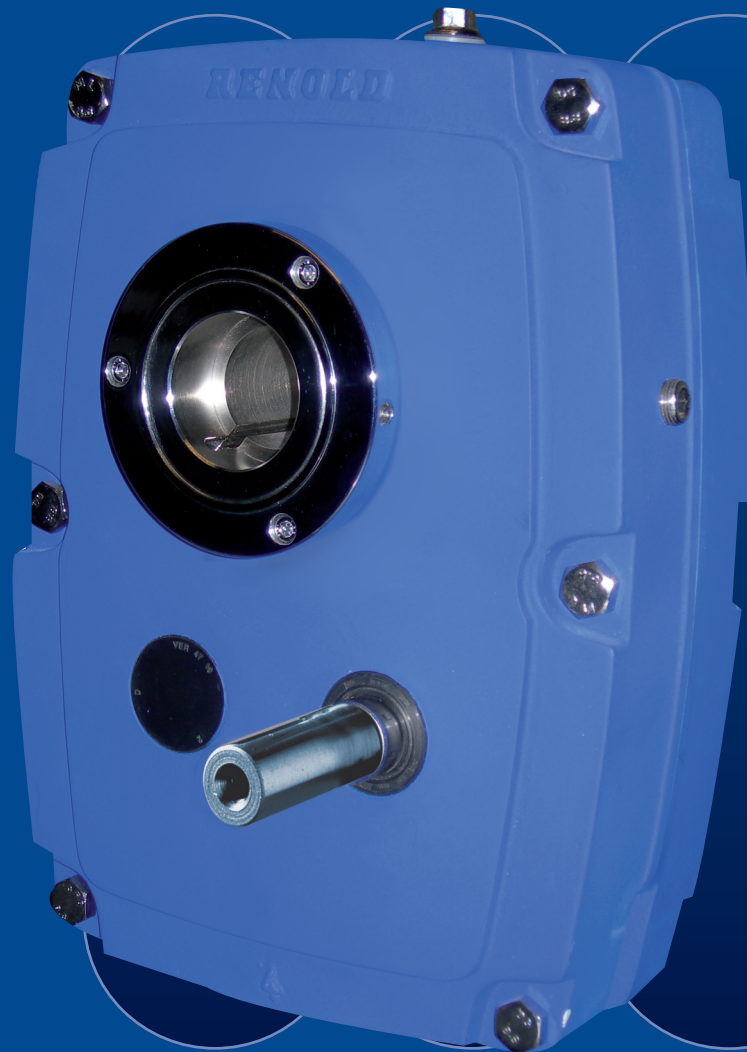


SMX^{tra}

Shaft mounted helical gear units



RENOLD
Superior Gear Technology

www.renold.com

RENOLD SMX^{tra} - Product Features

Hardened and profile ground helical gears for maximum power transmission, smooth operation and long life, with maximum efficiency.

Parallel and taper bore output options available, allowing easy removal for replacement or repair.

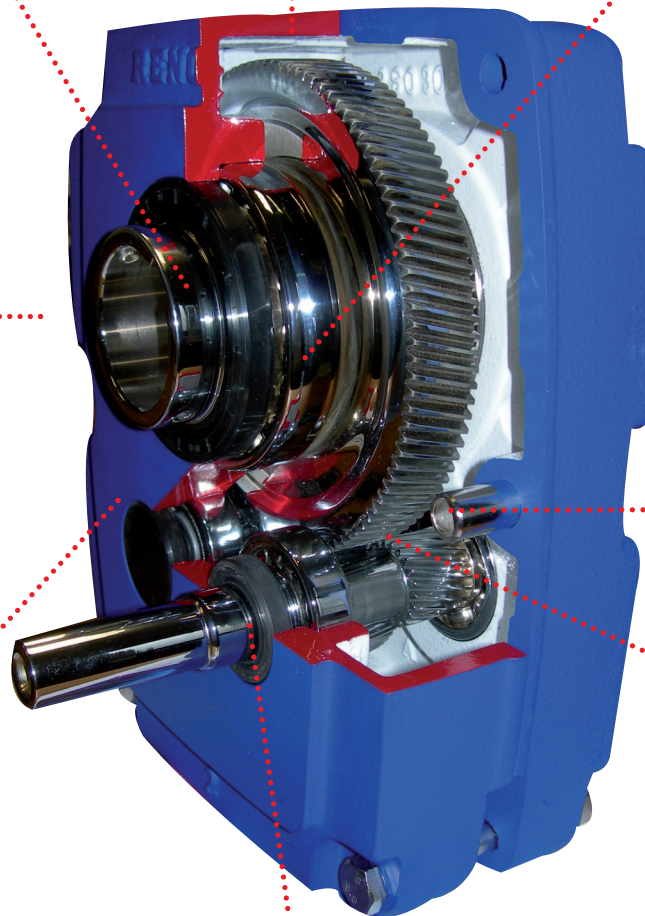
Enhanced seal options on input and output for use in hostile environment applications.

Fully machined face on both sides of the gear unit for face mounting options.

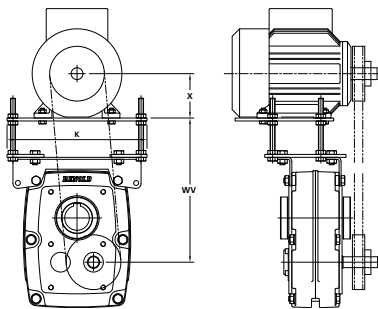
Sprag clutch backstop option to prevent drive reversal.

Close grain cast iron gear case giving robust strength, quiet and vibration free running.

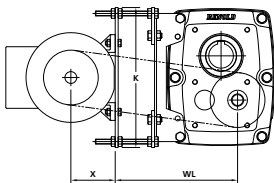
High capacity heavy duty roller bearings for trouble free operation and maximum load carrying capacity.



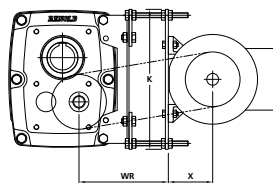
Heavy duty input shaft manufactured in high tensile alloy steel, suitable for all overhung load conditions.



Motor platform mounting - Top



Motor platform mounting - Left



Motor platform mounting - Right



Taper clamping bush with locking nut.

Contents

	Page No
SMX^{tra} Unit - Product Features	2
ATEX Approval Details	4
General Specification	5
Ordering Procedure - Unit Designation Code	6
Selection of SMX^{tra} Units & Service Factors	7
Load Classification by Application	8
Power and Torque Ratings & Belt Drives	9 - 13
SMX^{tra} - Dimensions	14 - 15
Output Sleeve and Bush Bores	16
Platform Mounted Motors	17
Installation and Maintenance	18
Weights and Oil Quantities	19
Oil Recommendations	20 - 21

ATEX Approval Details

ATEX Approval

RENOLD Gears products for operating in potentially explosive atmospheres.

General

- **RENOLD** Gears units are classified as ATEX Group II Category 2 equipment, which embodies sufficient safeguards to be suitable for use in potentially explosive atmospheres for normal operation and for operation during an expected malfunction.
- It is essential that there is sufficient lubricant to prevent the gears and bearings running 'dry'. Gear units should be inspected daily for signs of oil leakage, overheating or noisy operation.
- Gear units should be cleaned at regular intervals depending on the operating conditions, to ensure that dust coatings never exceed 5mm. Plastic parts should be wiped clean with a damp cloth.
- Oil leaks should be dealt with as quickly as practical. Compound joint faces and shims should be cleaned and thread-locking sealant should be applied to bolts and plugs prior to re-assembly.

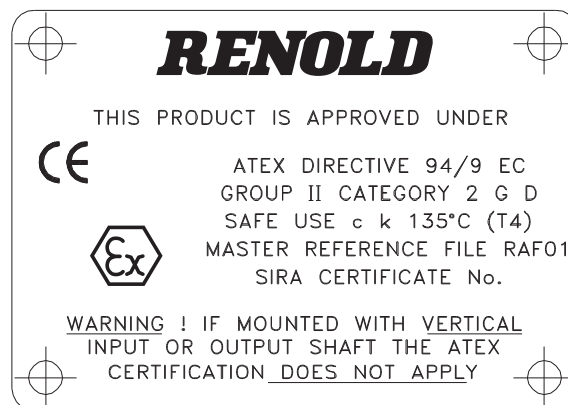
- The temperature of any external surfaces must not exceed the permitted maximum of 135°C (T4).
- Higher temperature class T3 is available dependant on unit mounting, ratio and gear type. For further details consult Renold.
- As a general rule, gear units should be mounted with their feet horizontal. For other mountings, particularly with shaft mounted units, consult **RENOLD** Gears.

WARNING: IF MOUNTING WITH VERTICAL INPUT OR OUTPUT SHAFTS, THE ATEX CERTIFICATION DOES NOT APPLY.

Unit Selection

- The gear unit selection procedures must include an additional reliability factor of 1.25 for mechanical ratings and 1.25 for thermal ratings.

ATEX Nameplate



RENOLD SMX^{tra} - General Specification

The **RENOLD SMX^{tra}** range of helical shaft mounted units comes from the same family as **RENOLD**, PM Series, TW and Carter units sharing their enviable reputation for quality and service.

SMX^{tra} units are available as single and double reduction and offer Gear Ratios up to 25:1, with a full power range from 2.0kW to 235kW.

Hardened, profile ground single helical gears and high capacity bearings ensure maximum power transmission, maximum load carrying capacity and longer life.

SMX^{tra} gear units are ideal for heavy duty hostile environments and provide an ideal drive for many different types of machinery. Mounted directly on the driven machine shaft they eliminate completely all alignment problems, as there is no need for base plates, slide rails, support structures and couplings.

The range of output speeds, between 10 and 400 rev/min, is obtained by selecting the appropriate shaft mounted unit in association with a primary V belt drive and a 4 pole motor.

Torque reaction is normally restrained by the standard torque arm which also allows easy adjustment of input V belt drives.

When required however, torque action can be restrained by bolting the gear unit directly onto the driven machine frame. In such cases the standard torque arm will not be supplied but an alternative motor mounting platform (allowing necessary V belt adjustment) can be provided. Details of motor mountings are shown on page 20.

Sprag Clutch Backstop

As a means of preventing driven mechanisms from running back, it is possible for all units to be supplied with a Sprag Clutch Backstop.

Gear Case

The gear case, of sturdy construction, is made from high quality close grained cast iron, a tough durable metal of good surface finish, accurately machined and bored using state-of-the-art CNC machinery centres, ensuring the gears stay in perfect mesh.

Gears

All gears are single helical form, precision cut from alloy case-hardening steel, hardened and profile ground to a high degree of accuracy to ensure maximum mechanical efficiency and quietness of operation.

Bearings

High quality metric ball and roller bearings are fitted, which adequately provide for the loads involved. Roller bearings are fitted on unit size 10 throughout.

Lubrication

A positive lubrication system ensures a continuous flow of oil onto the gears and bearings. Oil filler/breather level and drain plugs are provided. Efficient oil seals are provided on input shaft and output sleeve.

Output Bore Options

The **SMX^{tra}** unit is available with a standard parallel output bore and alternative bore options, see page 16. When smaller bores are required, reducer bushes will be used.

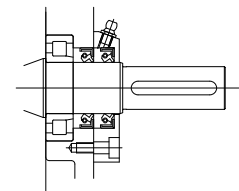
Taper Clamping bore fittings are also available with a single taper bush and a double taper sleeve bore, allowing the taper bush to be fitted from either side of the unit.

See page 16 for bore size options.

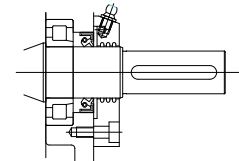
Enhanced Seal

Enhanced seal is available to protect the unit against dust and moisture in hostile running environments and to provide additional security to prevent the ingress of oil into sensitive environments such as the food industry.

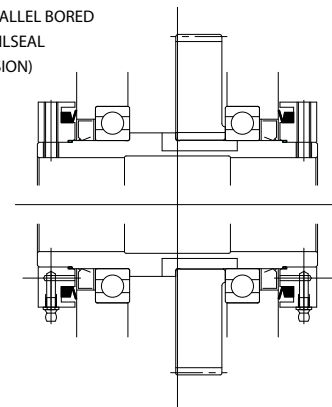
INPUT SHAFT
AUXILLIARY OILSEAL
(OIL RETENTION)



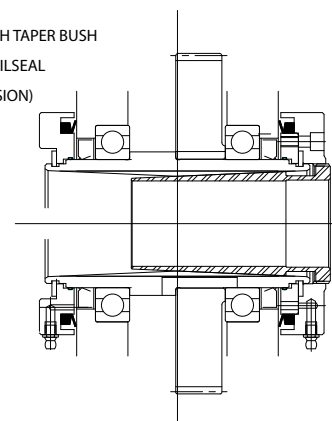
INPUT SHAFT
AUXILLIARY OILSEAL
(DUST EXCLUSION)



OUTPUT - PARALLEL BORED
AUXILLIARY OILSEAL
(DUST EXCLUSION)



OUTPUT - WITH TAPER BUSH
AUXILLIARY OILSEAL
(DUST EXCLUSION)

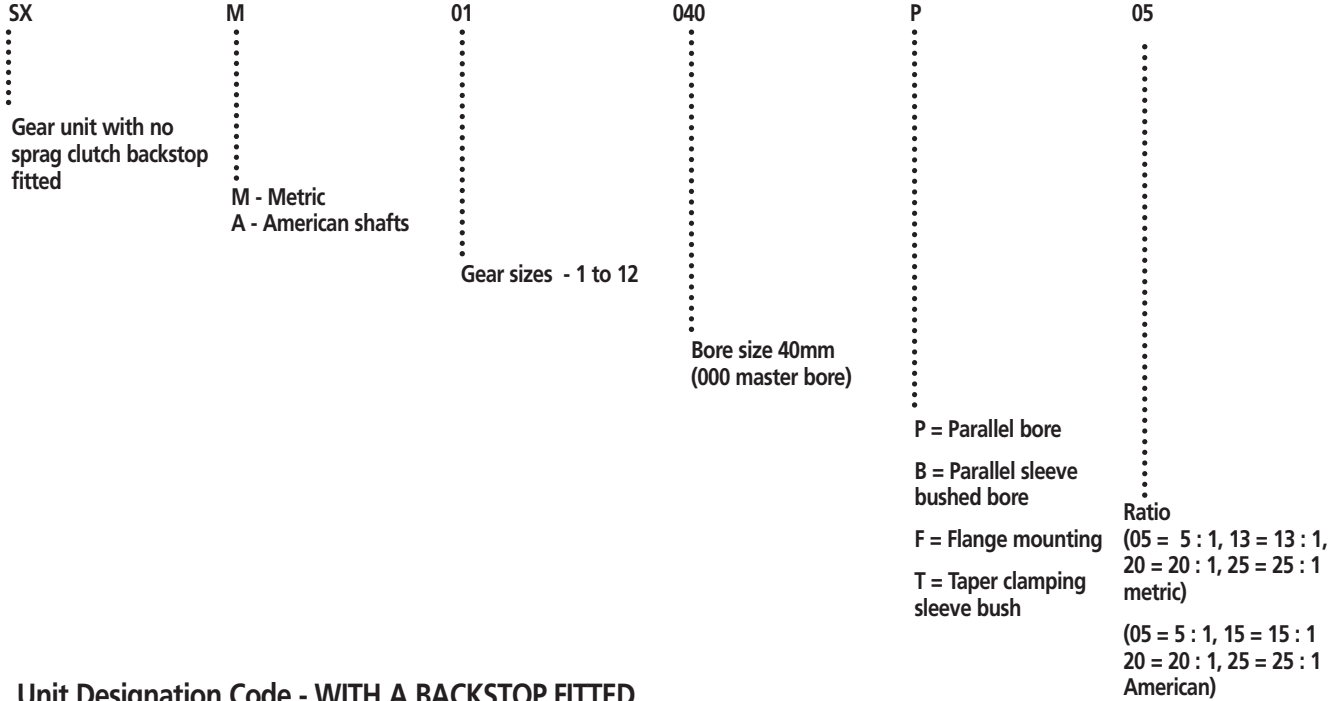


ENHANCED SEALING FOR SMX SERIES SHAFT MOUNTED GEAR UNITS

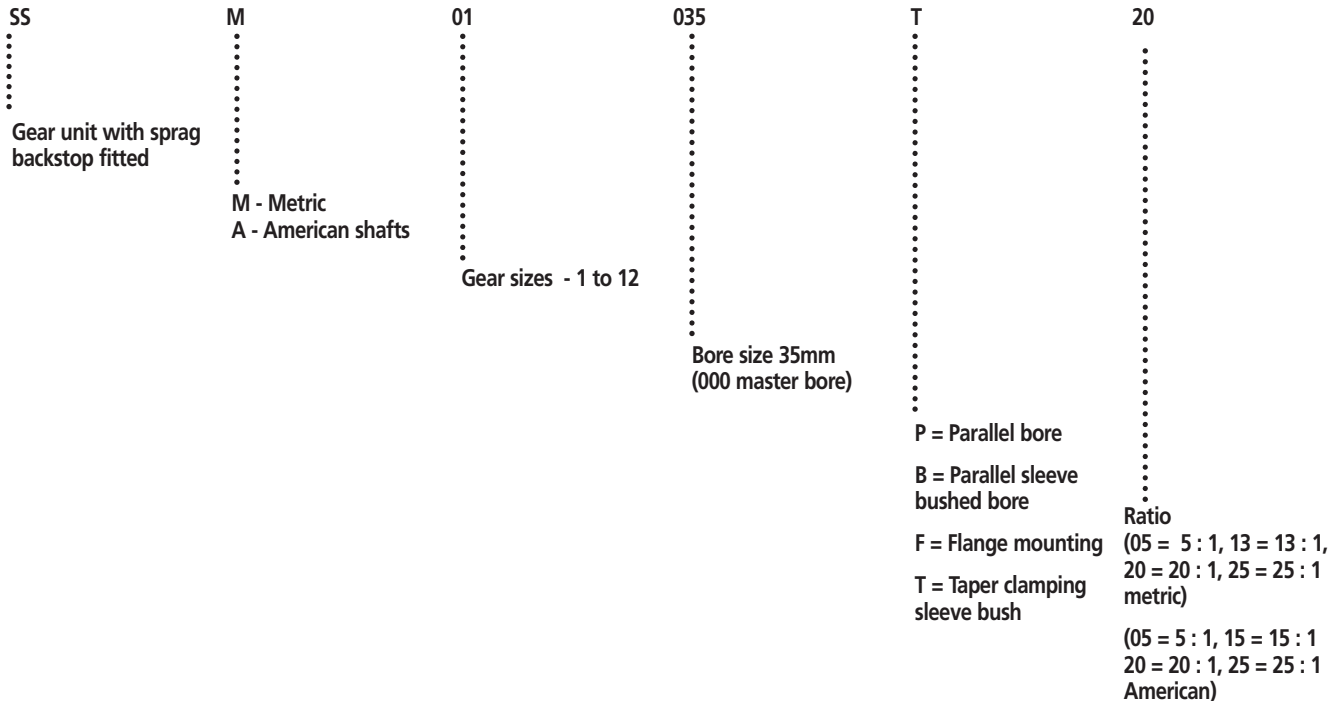
RENOLD SMX^{tra} Ordering Procedure - Unit Designation Code

To ensure that the correct **SMX^{tra}** Series unit is supplied and that your order is processed without delay, please quote the full designation code as detailed below:

Unit Designation Code - NO BACKSTOP FITTED



Unit Designation Code - WITH A BACKSTOP FITTED



Selection of **RENOLD SMX^{tra}** Units

Selection Procedure

1. Determine required output speed.
2. Determine power absorbed by driver machine.

$$\text{Absorbed power (kW)} = \frac{\text{Absorbed torque (Nm)} \times \text{Machine speed (rev/min)}}{9550}$$
3. Determine service factor from table 2.
4. Multiply absorbed power by the service factor to obtain the selection power.
5. Using the table on page 9, select the smallest unit that is capable of transmitting the selection power at the required output speed.
6. Primary belt drives can be selected from the pages 10 to 13 by reading across from the appropriate output speed for the size of gear box determine at step 5.
7. Complete V belt drives can be supplied incorporating standard belts to B.S. 3790 to meet any reasonable centre distance. The required centre distance between motor and gear unit input shaft should be stated on order or enquiry.

Enquiry

A torque of 775 Nm is required to drive an inclined conveyor headshaft at 60 revs/min. The conveyor is non-uniformly fed and will be operated for 8 hours/day. A 5.5 kW electric motor is the prime mover.

Absorbed power = $775 \times 60 / 9550 = 4.87 \text{ kW}$

Service factor for 8 hrs/day, medium impulsive drive 1.25

Selection power = $4.87 \times 1.25 = 6.09 \text{ kW}$

From page 9, at 60 revs/min a size 4 **SMX^{tra}** double reduction gear at 9.41 kW is the smallest unit for the application.

The tables on page 11 can be used to select the gear ratio and belt drive:-

A size 4 **SMX^{tra}** unit 20:1 ratio, at 60 revs/min would require a 125mm motor pulley driving a 150mm gear unit pulley using two SPA belts.

It is possible that this application would require a unit fitted with a hold-back device.

The selected unit, fitted with a sprag clutch, will be size 4, suitable for mounting on a 55mm shaft, having a parallel bored sleeve, and be of 20:1 ratio. Order code SSM04055P20.

Service Factors

Table 2

Prime mover (Drive input)	Driven machinery characteristics			
	Duration of Service hours/day	Steady	Medium impulsive	Highly impulsive
Electric motor (Steady input)	Intermittent-8hrs/day max	0.90	1.00	1.25
	8 - 16	1.00	1.25	1.50
	over 16	1.25	1.50	2.00
Multi-cylinder I.C. engine (Medium impulsive input)	Intermittent-8hrs/day max	1.10	1.35	1.90
	8 - 16	1.25	1.50	2.00
	over 16	1.50	1.75	2.25
Single-cylinder I.C. engine (Highly impulsive input)	Intermittent-8hrs/day max	1.35	1.65	2.00
	8 - 16	1.50	1.75	2.25
	over 16	1.75	2.00	2.50



IMPORTANT

Units to ATEX approval must be selected with a minimum service factor of 1.25.



It is the responsibility of the system designer to ensure that the application of the Gear Unit does not endanger the other constituent components in the system. Service factors given are an initial selection guide.



Rotating equipment must be provided with a suitable guard before operating or injury may result.

Load Classification by Application

Table 1

Agitators		Auxiliary hoist	(2)	Planer floor chains	M	Stock chest	M
Pure liquids	S	Boom, luffing	(2)	Planer tilting hoist	M	Suction roll	M
Liquids and solids	M	Rotating, swing or slew	(3)	Re-saw merry-go-round conveyor	M	Washers and thickeners	M
Liquids-variable density	M	Tracking, drive wheels	(4)	Roll cases	H	Winders	M
Blowers		Elevators		Slab conveyor	H	Printing presses	*
Centrifugal	S	Bucket - uniform load	S	Small waste conveyor-belt	S	Pullers	
Lobe	M	Bucket - heavy load	M	Small waste conveyor-chain	M	Barge haul	H
Vane	S	Bucket - continuous	S	Sorting table	M	Pumps	
Brewing and Distilling		Centrifugal discharge	S	Tipple hoist conveyor	M	Centrifugal	S
Bottling machinery	S	Escalators	S	Tipple hoist drive	M	Proportioning	M
Brew kettles-continuous duty	S	Freight	M	Transfer conveyors	M	Reciprocating	
Cookers-continuous duty	S	Gravity discharge	S	Transfer rolls	M	single acting:	
Mash tubs-continuous duty	S	Man lifts	*	Tray drive	M	3 or more cylinders	M
Scale hopper-frequent starts	M	Passenger	*	Trimmer feed	M	double acting:	
Can filling machines	S	Extruders (plastic)		Waste conveyor	M	2 or more cylinders	M
Cane knives (1)	M	Film	S	Machine tools		single acting: 1 or 2 cylinders	M
Car dumpers	H	Sheet	S	Bending roll	M	double acting: single cylinder	*
Car pullers	M	Coating	S	Punch press-gear driven	H	Rotary - gear type	S
Clarifiers	S	Rods	S	Notching press-belt drive	*	Rotary - lobe, vane	S
Classifiers	M	Tubing	S	Plate planners	H	Rubber and plastics industries	
Clay working machinery		Blow moulders	M	Tapping machine	H	Crackers (1)	H
Brick press	H	Pre-plasticisers	M	Other machine tools		Laboratory equipment	M
Briquette machine	M	Fans		Main drives	M	Mixed mills (1)	H
Clay working machinery	M	Centrifugal	S	Auxiliary drives	S	Refiners (1)	M
Pug mill	M	Cooling towers		Metal mills		Rubber calenders (1)	M
Compressors		Induced draft	*	Drawn bench carriage		Rubber mill, 2 on line (1)	M
Centrifugal	S	Forced draft	*	and main drive	M	Rubber mill, 3 on line (1)	S
Lobe	M	Induced draft	M	Pinch, dryer and scrubber	*	Sheeter (1)	M
Reciprocating - multi-cylinder	M	Large, mine etc.	M	rolls, reversing	*	Tyre building machines	*
Reciprocating - single cylinder	H	Large, industrial	M	Slitters	M	Tyre and tube press openers	*
Conveyors - uniformly loaded or fed		Light, small diameter	S	Table conveyors non-reversing group drives	M	Tubers and strainers (1)	M
Apron	S	Feeders		Individual drives	H	Warming mills (1)	M
Assembly	S	Apron	M	Reversing	*	Sand muller	M
Belt	S	Belt	M	Wire drawing and flattening machine	M	Screens	
Bucket	S	Disc	S	Wire winding machine	M	Air washing	S
Chain	S	Reciprocating	H	Mills, rotary type		Rotary, stone or gravel	M
Flight	S	Screw	M	Ball (1)	M	Travelling water intake	S
Oven	S	Food industry		Cement kilns (1)	M	Sewage disposal equipment	
Screw	S	Beef slicer	M	Dryers and coolers (1)	M	Bar screens	S
Conveyors - heavy duty not uniformly fed		Cereal cooker	S	Kilns other than cement	M	Chemical feeders	S
Apron	M	Dough mixer	M	Pebble (1)	M	Collectors	S
Assembly	M	Meat grinder	M	Rod, plain & wedge bar (1)	M	De-watering screws	M
Belt	M	Generators - not welding	S	Tumbling barrels	H	Scum breakers	M
Bucket	M	Hammer mills	H	Mixers		Slow or rapid mixers	M
Chain	M	Hoists		Concrete mixers continuous	M	Thickeners	M
Flight	M	Heavy duty	H	Concrete mixers intermittent	M	Vacuum filters	M
Live roll	*	Medium duty	M	Constant density	S	Slab pushers	M
Oven	M	Skip hoist	M	Variable density	M	Steering gear	*
Reciprocating	H	Laundry		Oil industry		Stokers	S
Screw	M	Washers - reversing	M	Chillers	M	Sugar industry	
Shaker	H	Tumblers	M	Oil well pumping	*	Cane knives (1)	M
Crane Drives - not dry dock		Line shafts		Paraffin filter press	M	Crushers (1)	M
Main hoists	S	Driving processing equipment	M	Rotary kilns	M	Mills (1)	M
Bridge travel	*	Light	S	Paper mills		Textile industry	
Trolley travel	*	Other line shafts	S	Agitators (mixers)	M	Batchers	M
Crushers		Lumber industry		Barker-auxiliaries hydraulic	M	Calenders	M
Ore	H	Barkers, hydraulic, mechanical	M	Barker-mechanical	H	Cards	M
Stone	H	Burner conveyor	M	Barking drum	H	Dry cans	M
Sugar (1)	M	Chain saw and drag saw	H	Beater and pulper	M	Dryers	M
Dredges		Chain transfer	H	Bleacher	S	Dyeing machinery	M
Cable reels	M	Craneway transfer	H	Calenders	M	Looms	M
Conveyors	M	De-barking drum	H	Calenders-super	H	Mangles	M
Cutter head drives	H	Edger feed	M	Converting machine except cutters, platers	M	Nappers	M
Jig drives	H	Gang feed	M	Conveyors	S	Pads	M
Manoeuvring winches	M	Green chain	M	Couch	M	Range drives	*
Pumps	M	Live rolls	H	Cutters, platers	H	Slashers	M
Screen drive	H	Log deck	H	Cylinders	M	Soapers	M
Stackers	M	Log haul-incline	H	Dryers	M	Spinners	M
Utility winches	M	Log haul-well type	H	Fell stretchers	M	Tenter frames	M
Dry dock cranes		Log turning device	H	Fell whipper	H	Washers	M
Main hoist	(2)	Main log conveyor	H	Jordans	M	Winders	M
		Off bearing rolls	M	Log haul	H	Windlass	*
		Planer feed chains	M	Presses	M		
				Pulp machine reel	M		

S = Steady

M = Medium Impulsive

H = Highly Impulsive

* = Refer to Renold

(1) = Select on 24 hours per day service factor only.

(2) = Use service factor of 1.00 for any duration of service.

(3) = Use service factor of 1.25 for any duration of service.

(4) = Use service factor of 1.50 for any duration of service.

Note

Machinery characteristics and service factors listed in this catalogue are a guide only. Some applications (e.g. constant power) may require special considerations. Consult Renold.



IMPORTANT

Units to ATEX approval must be selected with a minimum service factor of 1.25.

RENOLD SMX^{tra} Power and Torque Ratings

Renold Single Reduction Ratings

Output rpm	Motor power - kW								
	SM1	SM2	SM3	SM4	SM5	SM6	SM7	SM8	SM9
100	3.72	5.94	9.39	13.65	19.10	34.90	46.80	77.00	90.40
110	4.04	6.42	10.15	14.75	20.72	37.66	50.50	82.62	98.92
120	4.35	6.91	10.91	15.85	22.34	40.42	54.19	88.24	107.4
130	4.67	7.39	11.68	16.95	23.96	43.17	57.89	93.86	116.0
140	4.98	7.88	12.44	18.05	25.58	45.93	61.59	99.48	124.5
150	5.30	8.36	13.20	19.15	27.20	48.69	65.29	105.1	133.0
160	5.48	8.77	13.90	20.18	28.68	51.10	68.52	109.3	138.6
170	5.66	9.18	14.61	21.21	30.16	53.51	71.74	113.6	144.2
180	5.83	9.60	15.31	22.25	31.64	55.91	74.97	117.8	149.8
190	6.01	10.01	16.02	23.28	33.12	58.32	78.20	122.1	155.4*
200	6.19	10.42	16.72	24.31	34.60	60.73	81.43	126.3*	161.0*
210	6.34	10.77	17.33	25.20	35.82	62.72	84.10	129.9*	165.4*
220	6.49	11.12	17.94	26.08	37.04	64.71	86.77	133.5*	169.8*
230	6.64	11.46	18.54	26.97	38.26	66.69	89.43	137.2*	174.2*
240	6.79	11.81	19.15	27.85	39.48	68.68	92.10	140.8*	178.6*
250	6.94	12.16	19.76	28.74	40.70	70.67	94.77	144.4*	183.0*
260	7.15	12.52	20.33	29.58	41.68	72.24	96.88	147.4*	186.6*
270	7.37	12.88	20.90	30.41	42.66	73.81	98.98	150.4*	190.2*
280	7.59	13.24	21.48	31.25	43.64	75.39	101.1	153.4*	193.8*
290	7.80	13.60	22.05	32.08	44.62	76.96	103.2*	156.4*	197.4*
300	8.02	13.96	22.62	32.92	45.60	78.53	105.3*	159.4*	201.0*
310	8.29	14.19	23.17	33.71	46.65	79.68	106.2*	160.9*	203.2*
320	8.56	14.41	23.72	34.50	47.70	80.83	107.1*	162.5*	205.4*
330	8.83	14.64	24.26	35.29	48.74	81.98	108.0*	164.0*	207.6*
340	9.10	14.87	24.81	36.08	49.79	83.13	108.9*	165.6*	209.8*
350	9.37	15.10	25.36	36.87	50.84	84.28	109.7*	167.1*	212.0*
360	9.65	15.33	25.90	37.64	51.90	85.01	110.3*	168.8*	213.6*
370	9.92	15.56	26.43	38.41	52.95	85.75	110.8*	170.5*	215.2*
380	10.20	15.79	26.97	39.18	54.01	86.48	111.3*	172.2*	216.8*
390	10.48	16.03	27.50	39.95	55.06	87.22	111.8*	173.9*	218.4*
400	10.76	16.26	28.04	40.72	56.12	87.95	112.3*	175.6*	220.0*
270	7.37	12.88	20.90	30.41	42.66	73.81	98.98	150.4*	190.2*
280	7.59	13.24	21.48	31.25	43.64	75.39	101.1	153.4*	193.8*
290	7.80	13.60	22.05	32.08	44.62	76.96	103.2*	156.4*	197.4*
300	8.02	13.96	22.62	32.92	45.60	78.53	105.3*	159.4*	201.0*
310	8.29	14.19	23.17	33.71	46.65	79.68	106.2*	160.9*	203.2*
320	8.56	14.41	23.72	34.50	47.70	80.83	107.1*	162.5*	205.4*
330	8.83	14.64	24.26	35.29	48.74	81.98	108.0*	164.0*	207.6*
340	9.10	14.87	24.81	36.08	49.79	83.13	108.9*	165.6*	209.8*
350	9.37	15.10	25.36	36.87	50.84	84.28	109.7*	167.1*	212.0*
360	9.65	15.33	25.90	37.64	51.90	85.01	110.3*	168.8*	213.6*
370	9.92	15.56	26.43	38.41	52.95	85.75	110.8*	170.5*	215.2*
380	10.20	15.79	26.97	39.18	54.01	86.48	111.3*	172.2*	216.8*
390	10.48	16.03	27.50	39.95	55.06	87.22	111.8*	173.9*	218.4*
400	10.76	16.26	28.04	40.72	56.12	87.95	112.3*	175.6*	220.0*

* Cooling may be required - Consult Renold Gears

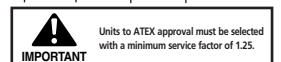
TORQUE (NM) AT 100 RPM	350	555	890	1295	1820	3330	4460	7350	8630
	Normal Ratio	EXACT GEAR RATIO							
5/1	5.150	5.150	5.143	5.048	5.087	5.095	5.095	5.125	5.136

Renold Double Reduction Ratings

Output rpm	Motor power - kW											
	SM1	SM2	SM3	SM4	SM5	SM6	SM7	SM8	SM9	SM10	SM11	SM12
10	0.36	0.59	1.06	1.55	2.16	3.48	5.45	7.70	11.01	16.52	28.00	46.18
12	0.43	0.71	1.28	1.87	2.59	4.17	6.54	9.24	13.21	19.83	33.20	54.75
14	0.51	0.83	1.50	2.18	3.02	4.87	7.63	10.77	15.41	23.13	38.40	63.32
16	0.58	0.95	1.71	2.50	3.46	5.56	8.72	12.31	17.61	26.44	43.60	71.89
18	0.66	1.07	1.93	2.81	3.89	6.26	9.81	13.85	19.81	29.74	48.80	80.46
20	0.73	1.19	2.15	3.13	4.32	6.95	10.90	15.39	22.01	33.05	54.00	89.03
22	0.80	1.31	2.37	3.45	4.75	7.65	11.99	16.93	24.21	36.25	58.74	96.99
24	0.88	1.43	2.59	3.76	5.18	8.34	13.08	18.47	26.41	39.46	63.48	105.0
26	0.95	1.56	2.81	4.08	5.62	9.04	14.17	20.01	28.61	42.66	68.22	112.9
28	1.03	1.68	3.03	4.39	6.05	9.73	15.26	21.55	30.81	45.87	72.96	120.9
30	1.10	1.80	3.25	4.71	6.48	10.43	16.35	23.09	33.02	49.07	77.70	128.8
32	1.18	1.92	3.47	5.02	6.91	11.13	17.44	24.63	35.22	52.21	82.0	236.2
34	1.25	2.05	3.69	5.34	7.35	11.82	18.53	26.17	37.42	55.35	86.34	143.7
36	1.33	2.17	3.92	5.65	7.78	12.52	19.62	27.71	39.62	58.49	90.66	151.1
38	1.40	2.30	4.14	5.97	8.22	13.21	20.71	29.25	41.82	61.63	94.98	158.5
40	1.48	2.42	4.36	6.28	8.65	13.91	21.80	30.79	44.02	64.77	99.30	165.9
42	1.56	2.54	4.53	6.59	9.08	14.61	22.80	32.32	46.22	67.76	103.4	172.8
44	1.63	2.67	4.70	6.90	9.51	15.30	23.79	33.86	48.42	70.75	107.6	179.7
46	1.71	2.79	4.88	7.22	9.94	16.00	24.79	35.40	50.62	73.74	111.7	186.6
48	1.78	2.92	5.05	7.53	10.37	16.69	25.78	36.94	52.83	76.74	115.9	193.5
50	1.86	3.04	5.22	7.84	10.80	17.39	26.78	38.48	55.03	79.73	120.0	200.4*
52	1.94	3.17	5.35	8.15	11.10	18.08	27.65	40.02	57.03	82.52	123.8	206.9*
54	2.01	3.29	5.49	8.47	11.40	18.78	28.52	41.56	59.03	85.31	127.6	213.3*
56	2.09	3.42	5.62	8.78	11.69	19.47	29.39	43.10	61.04	88.10	131.4	219.8*
58	2.16	3.54	5.76	9.10	11.99	20.17	30.26	44.64	63.04	90.90	135.2	226.3*
60	2.24	3.67	5.89	9.41	12.29	20.86	31.13	46.18	65.04	93.69	139.0*	232.7*
62	2.32	3.77	6.02	9.66	12.61	21.48	31.99	47.50	66.90	96.23	142.6*	238.6*
64	2.40	3.88	6.15	9.91	12.93	22.11	32.85	48.83	68.76	98.78	146.2*	244.4*
66	2.47	3.98	6.27	10.17	13.24	22.73	33.70	50.15	70.62	101.3	149.8*	250.2*
68	2.55	4.09	6.40	10.42	13.56	23.36	34.56	51.47	72.48	103.9	153.4*	256.0*
70	2.63	4.19	6.53	10.67	13.88	23.98	35.42	52.80	74.34	106.4*	157.0*	261.8*
72	2.71	4.27	6.68	10.93	14.21	24.67	36.18	54.12	76.20	108.7*	160.4*	266.9*
74	2.79	4.35	6.83	11.19	14.55	25.35	36.95	55.44	78.06	110.9*	163.8*	272.1*
76	2.86	4.42	6.98	11.45	14.88	26.04	37.71	56.77	79.92	113.2*	167.2*	277.2*
78	2.94	4.50	7.13	11.71	15.22	26.72	38.48	58.09	81.78	115.4*	170.6*	282.3*
80	3.02	4.58	7.28	11.97	15.55	27.41	39.24	59.42	83.64	117.6*	174.0*	287.4*
85	3.22	4.81	7.66	12.60	16.36	29.12	41.13	62.61	88.12	122.4*		
90	3.41	5.04	8.04	13.22	17.16	30.83	43.02	65.80	92.61*	127.1*		
95	3.61	5.28	8.42	13.84	17.98	32.33	45.00	68.88	96.93*	130.9*		
100	3.80	5.51	8.80	14.46	18.80	33.83	46.98	71.96	101.2*	134.7*		
105	4.00	5.74	9.18	15.08	19.45	35.24	48.88	74.92				
110	4.19	5.97	9.56	15.69	20.10	36.64	50.78	77.89				

* Cooling may be required - Consult Renold Gears

TORQUE (NM) AT 10 RPM	350	560	1010	1480	2060	3330	5200	7350	10510	15780	26740	44100
	Normal Ratio	EXACT GEAR RATIO										
13/1	13.795	13.795	13.333	13.273	13.396	13.417	13.742	13.613	13.652	13.281	13.121	13.268
20/1	20.110	20.110	19.800	19.686	20.117	20.149	19.770	19.859	20.362	19.628	20.469	19.608
25/1	24.319	24.319	24.202	24.050	24.096	24.135	24.506	24.856	24.612	24.115	24.465	24.091



Belt Drive - 1440 Revs/Min Motor Speed

Size 1

Nom Ratio	Nom Output rpm	Pulley Ratio	Pulley Dia		Belt No	Belt Size	
			Motor	Gear			
25	10	5.97	67	400	1	SPZ	
	12	5.00	63	315	1	SPZ	
	14	3.97	63	250	1	SPZ	
	16	3.73	67	250	1	SPZ	
	18	3.17	63	200	1	SPZ	
	20	2.86	63	180	1	SPZ	
	22	2.69	67	180	1	SPZ	
	24	2.39	67	160	1	SPZ	
	26	2.25	71	160	1	SPZ	
	28	2.09	67	140	1	SPZ	
	30	1.97	71	140	1	SPZ	
	32	1.87	67	125	1	SPZ	
	34	1.76	71	125	1	SPZ	
	36	1.65	85	140	1	SPZ	
	38	1.56	80	125	1	SPZ	
	40	1.49	67	100	2	SPZ	
	42	1.41	71	100	2	SPZ	
44	1.34	67	90	2	SPZ		
46	1.27	71	90	2	SPZ		
48	1.24	90	112	1	SPZ		
50	1.20	75	90	2	SPZ		
52	1.13	75	85	2	SPZ		
20	54	1.32	95	125	1	SPZ	
	56	1.27	67	85	2	SPZ	
	58	1.24	90	112	2	SPZ	
	60	1.19	67	80	2	SPZ	
	62	1.14	140	160	1	SPA	
	64	1.12	125	140	1	SPA	
	66	1.07	75	80	2	SPZ	
	68	1.06	85	90	2	SPZ	
	13	70	1.49	75	112	2	SPZ
		72	1.44	125	180	1	SPA
		74	1.41	71	100	3	SPZ
76		1.39	90	125	2	SPZ	
78		1.34	67	90	3	SPZ	
80		1.32	95	125	2	SPZ	
82		1.27	75	95	2	SPZ	
85		1.24	90	112	2	SPZ	
86		1.20	75	90	3	SPZ	
88		1.18	95	112	2	SPZ	
90		1.18	85	100	2	SPZ	
92		1.14	140	160	1	SPA	
95		1.12	112	125	2	SPZ	
98		1.06	132	140	2	SPZ	
100		1.05	95	100	2	SPZ	
105		1.00	112	112	2	SPZ	
5		110	0.95	118	112	2	SPZ
	120	2.35	85	200	3	SPA	
	130	2.13	75	160	3	SPA	
	140	2.00	100	200	2	SPA	
	150	1.87	150	280	1	SPA	
	160	1.75	160	280	1	SPA	
	170	1.67	150	250	1	SPA	
	180	1.56	160	250	1	SPA	
	190	1.49	150	224	1	SPA	
	200	1.40	100	140	2	SPA	
	210	1.33	150	200	2	SPA	
	220	1.27	118	150	2	SPA	
	230	1.21	132	160	2	SPA	
	240	1.14	140	160	2	SPA	
	250	1.11	180	200	1	SPA	
	260	1.07	140	150	2	SPA	
	270	1.06	125	132	2	SPA	
280	1.00	150	150	2	SPA		
290	0.94	125	118	3	SPA		
300	0.95	132	125	2	SPA		
310	0.90	200	180	2	SPA		
320	0.88	160	140	2	SPA		
330	0.84	140	118	2	SPA		
340	0.83	180	150	2	SPA		
350	0.80	200	160	2	SPA		
360	0.78	180	140	2	SPA		
370	0.75	200	150	2	SPA		
380	0.73	180	132	2	SPA		
390	0.71	224	160	2	SPA		
400	0.70	200	140	2	SPA		

Size 2

Nom Ratio	Nom Output rpm	Pulley Ratio	Pulley Dia		Belt No	Belt Size	
			Motor	Gear			
25	10	5.97	67	400	1	SPZ	
	12	5.00	63	315	1	SPZ	
	14	4.44	71	315	1	SPZ	
	16	3.73	67	250	1	SPZ	
	18	3.33	75	250	1	SPZ	
	20	2.94	85	250	1	SPZ	
	22	2.69	67	180	2	SPZ	
	24	2.39	67	160	2	SPZ	
	26	2.25	71	160	2	SPZ	
	28	2.09	67	140	2	SPZ	
	30	1.97	71	140	2	SPZ	
	32	1.87	75	140	2	SPZ	
	34	1.75	80	140	2	SPZ	
	36	1.65	85	140	2	SPZ	
	38	1.56	80	125	2	SPZ	
	40	1.47	85	125	2	SPZ	
	42	1.40	80	112	2	SPZ	
44	1.32	85	112	2	SPZ		
46	1.27	71	90	3	SPZ		
48	1.24	90	112	2	SPZ		
50	1.18	95	112	2	SPZ		
52	1.12	100	112	2	SPZ		
20	54	1.32	95	125	2	SPZ	
	56	1.27	118	150	1	SPA	
	58	1.25	100	125	2	SPZ	
	60	1.19	118	140	1	SPA	
	64	1.12	125	140	1	SPA	
	13	66	1.60	100	160	2	SPZ
		68	1.56	90	140	2	SPZ
		70	1.47	95	140	2	SPA
		72	1.44	125	180	2	SPZ
		74	1.40	100	140	2	SPZ
		76	1.36	132	180	1	SPA
78		1.34	112	150	2	SPA	
80		1.29	140	180	1	SPA	
82		1.27	118	150	2	SPA	
84		1.25	106	132	2	SPA	
85		1.21	132	160	1	SPA	
88	1.18	112	132	2	SPA		
90	1.14	140	160	2	SPZ		
95	1.11	180	200	1	SPA		
98	1.07	140	150	2	SPA		
100	1.06	125	132	2	SPA		
105	1.00	132	132	2	SPA		
5	110	0.95	132	125	2	SPA	
	120	2.37	118	280	2	SPZ	
	125	2.24	125	280	2	SPA	
	130	2.10	150	315	2	SPA	
	140	2.00	140	280	2	SPA	
	150	1.79	224	400	1	SPA	
	155	1.79	224	400	1	SPA	
	160	1.75	180	315	2	SPA	
	170	1.67	150	250	2	SPA	
	175	1.60	140	224	2	SPA	
	180	1.56	160	250	2	SPA	
	190	1.49	150	224	2	SPA	
	200	1.40	160	224	2	SPA	
	210	1.33	150	200	2	SPA	
	220	1.25	160	200	2	SPA	
	230	1.20	150	180	2	SPA	
	240	1.18	180	212	2	SPB	
250	1.11	180	200	2	SPA		
260	1.06	236	250	1	SPB*		
270	1.05	190	200	2	SPB		
280	1.00	200	200	2	SPA		
290	0.95	200	190	2	SPB		
300	0.95	190	180	2	SPB		
310	0.90	200	180	2	SPA		
320	0.85	212	180	2	SPB		
330	0.84	190	160	2	SPB		
350	0.80	200	160	2	SPA		
360	0.76	250	190	1	SPB*		
370	0.75	212	160	2	SPB		
380	0.72	250	180	3	SPA		
390	0.71	224	160	2	SPA		
400	0.71	212	150	2	SPB		

Size 3

Nom Ratio	Nom Output rpm	Pulley Ratio	Pulley Dia		Belt No	Belt Size	
			Motor	Gear			
25	10	5.97	67	400	2	SPZ	
	12	5.00	80	400	1	SPZ	
	14	4.21	95	400	1	SPZ	
	16	3.73	67	250	2	SPZ	
	18	3.33	75	250	2	SPZ	
	20	2.94	85	250	2	SPZ	
	22	2.67	75	200	2	SPZ	
	24	2.50	80	200	2	SPZ	
	26	2.25	80	180	2	SPZ	
	28	2.12	85	180	2	SPZ	
	30	2.00	90	180	2	SPZ	
	32	1.89	95	180	2	SPZ	
	34	1.76	71	125	3	SPZ	
	36	1.67	75	125	3	SPZ	
	38	1.60	100	160	2	SPZ	
	40	1.47	95	140	3	SPZ	
	42	1.39	90	125	3	SPZ	
44	1.36	132	180	2	SPA		
46	1.27	118	150	2	SPA		
48	1.25	100	125	3	SPZ		
50	1.18	106	125	2	SPA		
52	1.14	140	160	2	SPZ		
54	1.12	112	125	2	SPZ		
20	56	1.06	125	132	2	SPZ	
	58	1.25	100	125	3	SPZ	
	60	1.21	132	160	2	SPA	
	62	1.18	112	132	2	SPA	
	64	1.14	132	150	2	SPA	
	13	66	1.12	112	125	3	SPZ
		68	1.60	125	200	3	SPZ
		70	1.53	118	180	2	SPA
		72	1.50	100	150	3	SPA
		74	1.47	95	140	3	SPA
		76	1.43	112	160	3	SPZ
78		1.39	180	250	2	SPA	
80		1.34	112	150	3	SPA	
82		1.31	180	236	2	SPB	
85		1.28	125	160	3	SPZ	
86		1.24	180	224	1	SPA	
90	1.20	125	150	2	SPA		
92	1.19	118	140	3	SPA		
95	1.14	140	160	3	SPZ		
96	1.12	125	140	2	SPA		
5	98	1.11	180	200	2	SPA	
	100	2.81	112	315	3	SPA	
	105	2.64	106	280	3	SPA	
	110	2.52	125	315	3	SPZ	
	120	2.37	118	280	3	SPA	
	125	2.24	125	280	3	SPA	
	130	2.12	132	280	3	SPA	
	140	2.00	125	250	3	SPA	
	150	1.89	132	250	3	SPA	
	155	1.79	140	250	3	SPA	
	160	1.75	160	280	2	SPA	
	165	1.70	132	224	3	SPA	
	170	1.67	150	250	3	SPA	
	175	1.60	125	200	3	SPA	
	180	1.58	200	315	2	SPA	
	190	1.49	150	224	3	SPA	
	195	1.43	140	200	3	SPA	
200	1.40	160	224	3	SPA		
210	1.33	150	200	3	SPA		
220	1.26	250	315	2	SPB		
230	1.24	180	224	2	SPB		
240	1.18	170	200	3	SPB		
250	1.12	200	224	2	SPA		
260	1.06	212	224	2	SPB		
270	1.05	190	200	2	SPB		
280	1.00	200	200	2	SPB		
280	1.00	200	200	2	SPB		
290	0.95	200	190	2	SPB		
300	0.95	190	180	2	SPB		
310	0.89	224	200	2	SPB		
310	0.89	224	200	2	SPB		
330	0.85	200	170	2	SPB		
340	0.81	236	190	2	SPB		
350	0.80	200	160	3	SPB		
360	0.76	236	180	3	SPB		
370	0.76	250	190	3	SPA		
380	0.75	200	150	3	SPA		
390	0.72	250	180	3	SPA		
400	0.71	21					

Belt Drive - 1440 Revs/Min Motor Speed

Size 4

Nom Ratio	Nom Output rpm	Pulley Ratio	Pulley Dia		Belt No	Belt Size	
			Motor	Gear			
25	10	5.97	67	400	2	SPZ	
	12	5.00	80	400	2	SPZ	
	14	4.44	90	400	1	SPZ	
	16	3.71	85	315	2	SPZ	
	18	3.32	95	315	2	SPZ	
	20	2.99	67	200	3	SPZ	
	22	2.67	75	200	3	SPZ	
	24	2.50	80	200	2	SPZ	
	26	2.25	140	315	1	SPZ	
	28	2.13	75	160	3	SPZ	
	30	2.00	80	160	3	SPZ	
	32	1.88	85	160	3	SPZ	
	34	1.78	90	160	3	SPZ	
	36	1.65	85	140	3	SPZ	
	38	1.56	90	140	3	SPZ	
	40	1.47	95	140	3	SPZ	
	42	1.40	100	140	3	SPZ	
	44	1.36	118	160	2	SPA	
	46	1.28	125	160	2	SPZ	
	48	1.25	112	140	3	SPZ	
50	1.21	132	160	2	SPA		
52	1.14	140	160	2	SPZ		
54	1.11	180	200	2	SPZ		
20	56	1.29	140	180	2	SPA	
	58	1.28	125	160	3	SPZ	
	60	1.20	150	180	2	SPA	
	62	1.14	140	160	2	SPA	
	64	1.14	140	160	2	SPA	
	66	1.07	150	160	2	SPA	
	68	1.06	170	180	2	SPB	
	13	72	1.52	132	200	3	SPA
		74	1.48	160	236	2	SPB
		76	1.43	112	160	3	SPA
78		1.40	160	224	2	SPA	
80		1.36	118	160	3	SPA	
82		1.33	160	212	2	SPB	
85		1.28	125	160	3	SPA	
86		1.25	160	200	2	SPA	
88		1.24	180	224	2	SPA	
90		1.20	150	180	3	SPA	
92	1.18	170	200	2	SPB		
95	1.14	140	160	3	SPA		
96	1.13	160	180	3	SPA		
98	1.11	180	200	2	SPB		
100	1.06	170	180	2	SPB		
5	110	1.00	180	180	2	SPB	
	115	2.50	160	400	2	SPB	
	120	2.37	150	355	3	SPB	
	125	2.25	140	315	3	SPB	
	130	2.22	180	400	2	SPA	
	135	2.11	190	400	2	SPB	
	140	2.09	170	355	2	SPB	
	145	1.97	160	315	3	SPA	
	150	1.89	212	400	2	SPB	
	155	1.85	170	315	2	SPB	
160	1.79	224	400	2	SPB		
165	1.75	180	315	3	SPA		
170	1.67	212	355	2	SPB		
180	1.58	200	315	3	SPA		
190	1.50	236	355	2	SPB		
200	1.42	250	355	2	SPB		
210	1.33	236	315	2	SPB		
220	1.26	250	315	2	SPB		
230	1.25	224	280	3	SPB		
240	1.19	236	280	2	SPB		
250	1.12	250	280	2	SPB		
260	1.11	180	200	3	SPB		
270	1.06	236	250	2	SPB		
280	1.00	250	250	2	SPB		
300	0.95	200	190	3	SPB		
310	0.90	200	180	3	SPB		
320	0.89	315	280	2	SPB		
330	0.85	250	212	3	SPB		
340	0.84	280	236	3	SPB		
350	0.81	236	190	3	SPB		
355	0.79	315	250	2	SPB		
360	0.79	355	280	2	SPB		
370	0.76	250	190	3	SPB		
380	0.75	212	160	3	SPB		
400	0.71	280	200	3	SPB		

Size 5

Nom Ratio	Nom Output rpm	Pulley Ratio	Pulley Dia		Belt No	Belt Size	
			Motor	Gear			
25	10	5.97	67	400	2	SPZ	
	12	4.71	85	400	2	SPZ	
	14	4.20	75	315	2	SPZ	
	16	3.57	112	400	2	SPZ	
	18	3.32	95	315	2	SPZ	
	20	3.11	90	280	2	SPA	
	22	2.80	100	280	2	SPA	
	24	2.50	160	400	1	SPA	
	26	2.23	112	250	2	SPA	
	28	2.11	106	224	2	SPA	
	30	2.00	100	200	3	SPA	
	32	1.89	106	200	3	SPA	
	34	1.79	112	200	2	SPA	
	36	1.69	118	200	2	SPA	
	38	1.60	125	200	2	SPA	
	40	1.47	170	250	1*	SPB	
	42	1.43	112	160	3	SPA	
	44	1.36	118	160	3	SPA	
	46	1.29	140	180	2	SPA	
	48	1.25	160	200	2	SPA	
50	1.20	150	180	2	SPA		
52	1.13	160	180	2	SPA		
54	1.11	180	200	2	SPA		
20	56	1.29	140	180	3	SPA	
	58	1.24	180	224	2	SPA	
	60	1.20	150	180	2	SPA	
	62	1.18	170	200	2	SPB	
	64	1.11	180	200	2	SPA	
	68	1.06	180	190	2	SPB	
	13	70	1.52	132	200	3	SPA
		72	1.49	150	224	3	SPA
		74	1.44	125	180	3	SPA
		76	1.43	140	200	3	SPA
78		1.36	132	180	3	SPA	
80		1.33	150	200	3	SPA	
85		1.29	140	180	3	SPA	
86		1.25	160	200	3	SPA	
90		1.20	150	180	3	SPA	
92		1.18	170	200	3	SPB	
95	1.12	200	224	3	SPA		
100	1.06	170	180	3	SPB		
5	110	2.63	190	500	2	SPB	
	115	2.50	200	500	2	SPB	
	120	2.35	170	400	3	SPB	
	130	2.22	180	400	3	SPB	
	140	1.97	180	355	3	SPB	
	150	1.87	190	355	3	SPB	
	160	1.78	200	355	3	SPB	
	170	1.67	212	355	3	SPB	
	175	1.60	250	400	2	SPB	
	180	1.58	224	355	3	SPB	
190	1.50	236	355	3	SPB		
200	1.42	250	355	3	SPB		
210	1.33	236	315	3	SPB		
215	1.32	212	280	3	SPB		
220	1.27	280	355	3	SPB		
230	1.25	224	280	3	SPB		
240	1.19	236	280	3	SPB		
250	1.12	250	280	3	SPB		
270	1.06	236	250	3	SPB		
280	1.00	280	280	3	SPB		
300	0.94	250	236	3	SPB		
310	0.89	280	250	3	SPB		
320	0.89	355	315	3	SPB		
340	0.84	280	236	3	SPB		
350	0.80	280	224	3	SPB		
355	0.79	315	250	3	SPB		
360	0.79	355	280	3	SPB		
380	0.75	315	236	3	SPB		
400	0.70	355	250	3	SPB		

Size 6

Nom Ratio	Nom Output rpm	Pulley Ratio	Pulley Dia		Belt No	Belt Size
			Motor	Gear		
25	10	5.97	67	400	3	SPZ
	12	5.00	80	400	3	SPZ
	14	4.20	75	315	3	SPZ
	16	3.71	85	315	3	SPZ
	18	3.15	100	315	3	SPZ
	20	2.94	85	250	4	SPZ
	22	2.63	95	250	4	SPZ
	24	2.50	100	250	4	SPZ
	26	2.22	90	200	4	SPA
	28	2.12	118	250	3	SPA
	30	2.00	125	250	3	SPA
	32	1.89	132	250	3	SPA
	34	1.80	100	180	4	SPA
	36	1.70	106	180	4	SPA
	38	1.61	112	180	4	SPA
	40	1.49	150	224	3	SPA
	42	1.43	112	160	4	SPA
	44	1.36	118	160	4	SPA
	46	1.29	140	180	3	SPA
	48	1.24	180	224	3	SPA
50	1.20	150	180	3	SPA	
52	1.14	140	160	3	SPA	
54	1.11	180	200	3	SPA	
20	56	1.07	150	160	3	SPA
	58	1.24	180	224	3	SPA
	60	1.20	150	180	4	SPA
	64	1.13	160	180	4	SPA
	68	1.06	170	180	3	SPB
	70	1.56	180	280	3	SPB
	72	1.49	150	224	4	SPB
	74	1.43	280	400	2	SPB
	76	1.40	160	224	4	SPB
	78	1.39	180	250	3	SPB
80	1.33	150	200	4	SPB	
82	1.31	180	236	3	SPB	
85	1.27	280	355	2	SPB	
86	1.24	190	236	3	SPB	
90	1.19	236	280	2	SPB	
92	1.18	190	224	3	SPB	
95	1.13	280	315	2	SPB	
96	1.11	212	236	3	SPB	
100	1.06	236	250	3	SPB	
5	105	1.00	236	236	3	SPB
	110	2.50	200	500	4	SPB
	120	2.36	212	500	4	SPB
	130	2.12	236	500	3	SPB
	140	2.00	200	400	4	SPB
	150	1.89	212	400	4	SPB
	160	1.79	280	500	3	SPB
	170	1.67	224	375	3	SPC
	180	1.59	315	500	2	SPC
	190	1.49	335	500	2	SPC
200	1.42	250	355	3	SPC	
210	1.34	250	335	3	SPC	
220	1.26	250	315	3	SPC	
230	1.25	400	500	3	SPC	
240	1.18	300	355	3	SPC	
250	1.13	265	300	3	SPC	
260	1.07	280	300	3	SPC	
270	1.05	300	315	3	SPC	
280	1.00	300	300	3	SPC	
290	0.95	315	300	3	SPC	
300	0.95	375	355	3	SPC	
310	0.89	375	335	3	SPC	
320	0.89	400	355	2	SPC	
330	0.85	355	300	3	SPC	
340	0.84	375	315	3	SPC	
350	0.80	375	300	3	SPC	
360	0.79	400	315	3	SPC	
380	0.75	400	300	3	SPC	
400	0.70	355	250	4	SPC	

Belt Drive - 1440 Revs/Min Motor Speed

Size 7

Nom Ratio	Nom Output rpm	Pulley Ratio	Pulley Dia		Belt No	Belt Size	
			Motor	Gear			
25	10	5.56	90	500	2	SPA	
	12	4.72	106	500	2	SPA	
	14	4.21	95	400	3	SPA	
	16	3.57	112	400	3	SPA	
	18	3.15	100	315	4	SPA	
	20	2.81	112	315	3	SPA	
	22	2.67	118	315	3	SPA	
	24	2.39	132	315	3	SPA	
	26	2.25	140	315	3	SPA	
	28	2.10	150	315	3	SPA	
	30	1.90	118	224	4	SPA	
	32	1.79	125	224	4	SPA	
	34	1.70	132	224	4	SPA	
	36	1.60	140	224	4	SPA	
	38	1.56	160	250	3	SPA	
	40	1.49	150	224	4	SPA	
	42	1.39	180	250	3	SPA	
	44	1.32	170	224	3	SPB	
	46	1.26	250	315	3	SPA	
	48	1.24	180	224	4	SPA	
50	1.18	190	224	3	SPB		
52	1.11	212	236	3	SPB		
56	1.05	224	236	3	SPB		
58	1.00	250	250	2	SPB		
20	60	1.20	250	300	2	SPC	
	62	1.18	190	224	3	SPB	
	64	1.13	280	315	2	SPB	
	66	1.11	212	236	3	SPB	
	68	1.06	236	250	3	SPB	
	70	1.05	224	236	3	SPB	
	13	72	1.47	170	250	4	SPB
		74	1.41	224	315	3	SPB
76		1.39	180	250	4	SPB	
78		1.33	236	315	3	SPB	
80		1.32	212	280	3	SPB	
82		1.27	280	355	3	SPB	
84		1.25	224	280	3	SPB	
88		1.19	236	280	3	SPB	
92		1.13	315	355	3	SPB	
94		1.12	300	335	2	SPC	
98	1.07	280	300	2	SPC		
100	1.05	300	315	2	SPC		
5	105	2.67	236	630	4	SPB	
	110	2.52	250	630	3	SPB	
	120	2.36	212	500	4	SPB	
	130	2.23	224	500	4	SPB	
	140	2.00	250	500	4	SPB	
	150	1.90	250	475	3	SPC	
	160	1.77	300	530	3	SPC	
	170	1.68	315	530	3	SPC	
	180	1.58	400	630	3	SPC	
	190	1.49	335	500	3	SPC	
	200	1.41	355	500	3	SPC	
	210	1.35	315	425	3	SPC	
	220	1.27	315	400	3	SPC	
	230	1.25	400	500	3	SPC	
	240	1.19	315	375	3	SPC	
	250	1.12	335	375	3	SPC	
	260	1.07	375	400	3	SPC	
	270	1.06	355	375	3	SPC	
	280	1.00	335	335	3	SPC	
	300	0.94	400	375	3	SPC	
320	0.89	400	355	4	SPC		
340	0.84	400	335	4	SPC		

Size 8

Nom Ratio	Nom Output rpm	Pulley Ratio	Pulley Dia		Belt No	Belt Size	
			Motor	Gear			
25	10	5.56	90	500	4	SPZ	
	12	5.00	100	500	4	SPZ	
	14	4.21	95	400	5	SPZ	
	16	3.50	90	315	5	SPZ	
	18	3.15	100	315	5	SPZ	
	20	2.81	112	315	5	SPZ	
	22	2.64	106	280	5	SPA	
	24	2.37	118	280	4	SPA	
	26	2.22	180	400	3	SPA	
	28	2.12	132	280	4	SPA	
	30	1.89	132	250	4	SPA	
	32	1.79	140	250	4	SPA	
	34	1.75	180	315	3	SPA	
	36	1.60	140	224	5	SPA	
	38	1.56	180	280	4	SPA	
	40	1.48	160	236	4	SPB	
	42	1.40	160	224	4	SPB	
	44	1.32	170	224	4	SPB	
	46	1.25	200	250	3	SPB	
	48	1.19	236	280	3	SPB	
	50	1.18	212	250	3	SPB	
	52	1.12	200	224	3	SPB	
	54	1.06	212	224	3	SPB	
	20	56	1.32	190	250	4	SPB
		58	1.25	200	250	4	SPB
		60	1.20	250	300	3	SPC
		62	1.18	212	250	4	SPB
		64	1.12	250	280	3	SPB
		68	1.06	315	335	2	SPC
	13	70	1.50	236	355	4	SPB
72		1.49	212	315	4	SPB	
74		1.42	250	355	4	SPB	
76		1.41	224	315	4	SPB	
78		1.34	250	335	3	SPC	
80		1.33	236	315	4	SPB	
83		1.27	236	300	3	SPC	
84		1.26	250	315	3	SPC	
85		1.25	300	375	3	SPC	
88		1.20	250	300	3	SPC	
90	1.18	300	355	3	SPC		
92	1.13	265	300	4	SPC		
94	1.13	280	315	4	SPB		
95	1.12	335	375	3	SPC		
98	1.07	280	300	3	SPC		
100	1.05	300	315	3	SPC		
5	105	2.67	236	630	5	SPB	
	110	2.52	250	630	5	SPB	
	120	2.38	265	630	4	SPC	
	130	2.25	280	630	4	SPC	
	140	2.00	265	530	4	SPC	
	150	1.89	280	530	4	SPC	
	160	1.77	300	530	4	SPC	
	170	1.67	300	500	4	SPC	
	180	1.59	315	500	4	SPC	
	190	1.49	335	500	4	SPC	
	200	1.42	335	475	4	SPC	
	210	1.33	300	400	4	SPC	
	220	1.27	315	400	4	SPC	
	230	1.20	355	425	4	SPC	
	240	1.19	315	375	4	SPC	
	250	1.12	335	375	4	SPC	
	260	1.07	375	400	4	SPC	
	265	1.06	355	375	4	SPC	
	270	1.05	300	315	5	SPC	
	280	1.00	355	355	4	SPC	
320	0.88	400	355	4	SPC		
330	0.85	355	300	5	SPC		
350	0.80	375	300	5	SPC		
360	0.78	400	315	5	SPC		
370	0.76	400	300	5	SPC		
400	0.70	400	280	5	SPC		

Size 9

Nom Ratio	Nom Output rpm	Pulley Ratio	Pulley Dia		Belt No	Belt Size	
			Motor	Gear			
25	10	5.94	106	630	3	SPA	
	12	5.04	125	630	3	SPA	
	14	4.24	118	500	4	SPA	
	16	3.79	132	500	4	SPA	
	18	3.33	150	500	3	SPA	
	20	2.86	140	400	4	SPA	
	22	2.67	150	400	4	SPA	
	24	2.50	200	500	3	SPA	
	26	2.22	180	400	4	SPA	
	28	2.09	170	355	3	SPB	
	30	2.00	200	400	4	SPA	
	32	1.85	170	315	4	SPB	
	34	1.75	180	315	4	SPB	
	36	1.66	190	315	4	SPB	
	38	1.58	200	315	4	SPB	
	40	1.47	190	280	4	SPB	
	42	1.40	200	280	4	SPB	
	44	1.32	212	280	4	SPB	
	46	1.25	224	280	4	SPB	
	48	1.20	250	300	3	SPC	
50	1.19	236	280	4	SPB		
52	1.12	250	280	4	SPB		
54	1.07	280	300	3	SPC		
56	1.05	300	315	3	SPC		
58	1.00	315	315	3	SPB		
20	60	1.18	300	355	3	SPC	
	62	1.13	280	315	4	SPB	
	64	1.12	300	335	3	SPC	
	66	1.07	280	300	3	SPC	
	68	1.05	300	315	3	SPC	
	70	1.00	236	236	4	SPB	
	13	72	1.48	425	630	3	SPC
		74	1.43	280	400	4	SPB
76		1.40	400	560	3	SPC	
78		1.34	250	335	4	SPC	
80		1.33	300	400	3	SPC	
82		1.27	315	400	3	SPC	
85		1.25	300	375	3	SPC	
88		1.19	315	375	3	SPC	
90		1.18	300	355	4	SPC	
93		1.13	375	425	3	SPC	
5	95	1.12	335	375	3	SPC	
	98	2.86	280	800	4	SPC	
	100	2.81	224	630	5	SPC	
	110	2.52	250	630	5	SPC	
	120	2.38	265	630	5	SPC	
	130	2.11	265	560	5	SPC	
	140	2.00	315	630	4	SPC	
	150	1.88	335	630	4	SPC	
	160	1.78	315	560	4	SPC	
	170	1.67	335	560	4	SPC	
180	1.58	355	560	4	SPC		
190	1.49	335	500	5	SPC		
200	1.41	355	500	4	SPC		
210	1.33	300	400	5	SPC		
220	1.27	355	450	5	SPC		
230	1.20	355	425	5	SPC		
240	1.19	400	475	4	SPC		
250	1.13	355	400	5	SPC		
260	1.07	375	400	5	SPC		
270	1.06	355	375	5	SPC		
280	1.00	400	400	5	SPC		
300	0.94	400	375	5	SPC		

Belt Drive - 1440 Revs/Min Motor Speed

Size 10

Nom Ratio	Nom Output rpm	Pulley Ratio	Pulley Dia		Belt No	Belt Size
			Motor	Gear		
25	10	5.63	112	630	4	SPA
	12	5.04	125	630	4	SPA
	14	4.00	125	500	5	SPA
	16	3.57	140	500	5	SPA
	18	3.33	150	500	5	SPA
	20	2.94	170	500	4	SPB
	22	2.78	180	500	4	SPB
	24	2.50	200	500	4	SPB
	26	2.22	180	400	4	SPB
	28	2.11	190	400	4	SPB
	30	2.00	200	400	4	SPB
	32	1.89	212	400	4	SPB
	34	1.79	224	400	4	SPB
	36	1.69	236	400	4	SPB
	38	1.60	250	400	4	SPB
	40	1.49	212	315	5	SPB
	42	1.42	250	355	4	SPB
	44	1.33	236	315	5	SPB
	46	1.27	236	300	4	SPC
	48	1.25	224	280	5	SPC
50	1.19	236	280	5	SPB	
52	1.13	265	300	4	SPC	
54	1.12	250	280	5	SPB	
56	1.06	265	280	4	SPC	
20	58	1.26	250	315	5	SPC
	60	1.20	250	300	5	SPC
	62	1.19	265	315	4	SPC
	64	1.13	265	300	4	SPC
13	66	1.61	280	450	4	SPC
	68	1.59	315	500	4	SPC
	70	1.52	280	425	4	SPC
	72	1.50	300	450	4	SPC
	74	1.48	425	630	3	SPC
	76	1.43	315	450	4	SPC
	78	1.40	400	560	3	SPC
	80	1.35	315	425	4	SPC
	85	1.26	250	315	6	SPC
	90	1.20	280	335	5	SPC

Size 11

Nom Ratio	Nom Output rpm	Pulley Ratio	Pulley Dia		Belt No	Belt Size
			Motor	Gear		
25	10	5.71	140	800	4	SPB
	14	4.21	190	800	4	SPB
	16	3.71	170	630	4	SPB
	18	3.32	190	630	4	SPB
	20	2.97	212	630	4	SPB
	22	2.64	212	560	4	SPB
	24	2.50	200	500	5	SPB
	26	2.25	200	450	5	SPB
	28	2.12	212	450	5	SPB
	30	2.00	250	500	5	SPB
	32	1.80	250	450	5	SPB
	36	1.61	280	450	5	SPB
	38	1.51	265	400	4	SPC
	40	1.49	335	500	3	SPC
	42	1.42	300	425	4	SPC
	44	1.34	280	375	4	SPC
	46	1.27	280	355	4	SPC
	48	1.20	250	300	5	SPC
	50	1.19	265	315	5	SPC
	52	1.13	280	315	5	SPC
54	1.07	280	300	5	SPC	
56	1.05	300	315	5	SPC	
20	58	1.20	355	425	4	SPC
	60	1.18	300	355	6	SPC
	62	1.13	355	400	4	SPC
	64	1.70	280	475	5	SPC
13	66	1.67	300	500	5	SPC
	68	1.61	280	450	6	SPC
	70	1.58	355	560	4	SPC
	72	1.51	315	475	5	SPC
	74	1.49	335	500	5	SPC
	76	1.43	315	450	5	SPC
	78	1.41	355	500	5	SPC
	80	1.35	315	425	6	SPC
	85	1.27	315	400	6	SPC
	90	1.20	355	425	6	SPC

Size 12

Nom Ratio	Nom Output rpm	Pulley Ratio	Pulley Dia		Belt No	Belt Size
			Motor	Gear		
25	10	5.88	170	1000	5	SPB
	12	5.00	200	1000	4	SPB
	14	4.24	236	1000	4	SPB
	16	3.77	212	800	5	SPB
	18	3.39	236	800	5	SPB
	20	3.02	265	800	4	SPC
	22	2.67	236	630	6	SPB
	24	2.50	224	560	6	SPC
	26	2.25	280	630	6	SPB
	28	2.12	250	530	5	SPC
	30	2.00	315	630	4	SPC
	32	1.87	300	560	5	SPC
	34	1.77	300	530	5	SPC
	36	1.67	300	500	5	SPC
	38	1.58	355	560	5	SPC
	40	1.51	315	475	5	SPC
	42	1.43	315	450	5	SPC
	44	1.34	335	450	5	SPC
	46	1.33	400	530	4	SPC
	48	1.25	400	500	5	SPC
50	1.20	355	425	5	SPC	
52	1.13	375	425	5	SPC	
54	1.12	335	375	6	SPC	
56	1.07	375	400	6	SPC	
20	58	1.25	400	500	5	SPC
	60	1.20	375	450	6	SPC
	62	1.19	400	475	5	SPC
	64	1.68	375	630	6	SPC
13	66	1.67	300	500	8	SPC
	68	1.58	355	560	6	SPC
	70	1.58	400	630	6	SPC
	72	1.49	375	560	6	SPC
	76	1.42	335	475	8	SPC
	78	1.40	400	560	6	SPC
	80	1.33	400	530	6	SPC
	85	1.27	355	450	8	SPC
	90	1.20	375	450	8	SPC

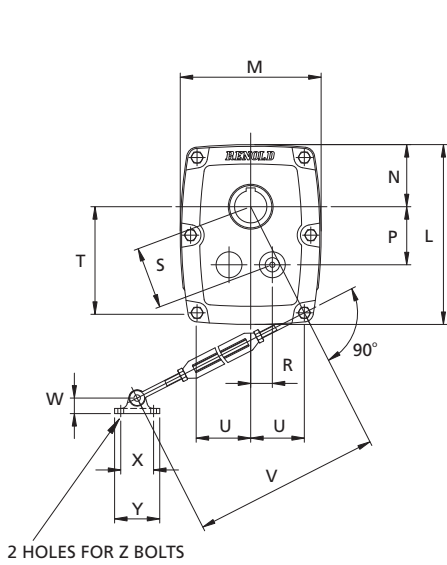
MINIMUM PULLEY DIAMETERS on unit input shaft

Ratios Size	13/1 to 25/1					
	OUTPUT SPEED					
	10	20	40	60	80	100
1	80	80	80	80	90	100
2	80	80	90	90	90	100
3	100	100	100	100	140	140
4	100	100	125	160	160	180
5	118	118	160	160	160	180
6	125	125	160	180	200	236
7	1160	180	224	224	250	300
8	180	200	224	250	300	300
9	200	224	250	300	335	355
10	200	224	250	280	315	315
11	250	280	355	400	400	-
12	300	355	400	400	400	-

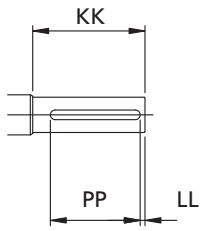
Ratios Size	5/1						
	OUTPUT SPEED						
	100	150	200	250	300	350	400
1	236	200	140	125	125	132	140
2	280	280	200	200	180	160	150
3	280	250	200	200	180	160	150
4	280	250	200	180	180	160	160
5	450	355	300	250	224	224	250
6	400	315	280	250	250	250	250
7	500	400	315	280	280	280	250
8	500	500	425	355	315	300	280
9	500	500	450	400	375	355	315

Speed over 30m/s. Check the pulley specification.

RENOLD SMX^{tra} Dimensions (mm)

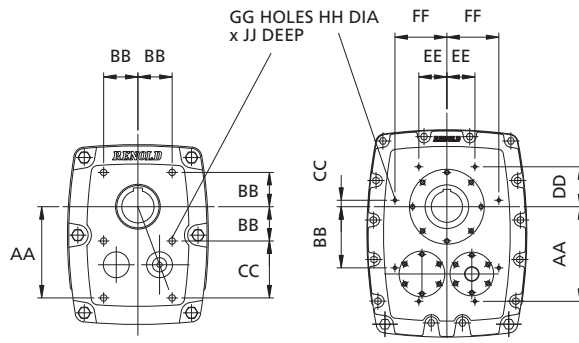


SHAFT MOUNTED



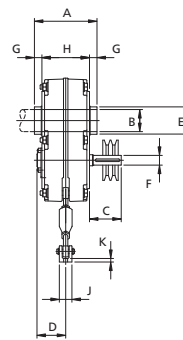
TAPPED HOLE QQ DIA x RR DEEP

INPUT SHAFT

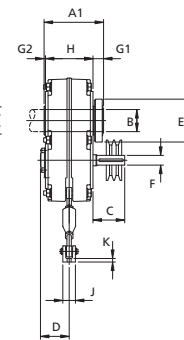


FLANGE MOUNTED
SIZES 1-10
SIZES 1-9

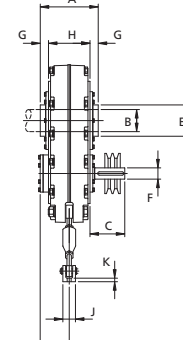
SHAFT &
FLANGE MOUNTED
SIZES 11-12
SIZES 10-12



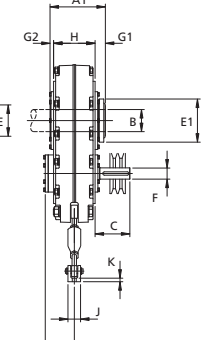
OUTPUT SLEEVE
PARALLEL BORE



OUTPUT SLEEVE
FOR TAPER BUSH
(BUSH CAN BE FITTED
EITHER SIDE OF GEARCASE
-POSITION 'F' SHOWN)



OUTPUT SLEEVE
PARALLEL BORE



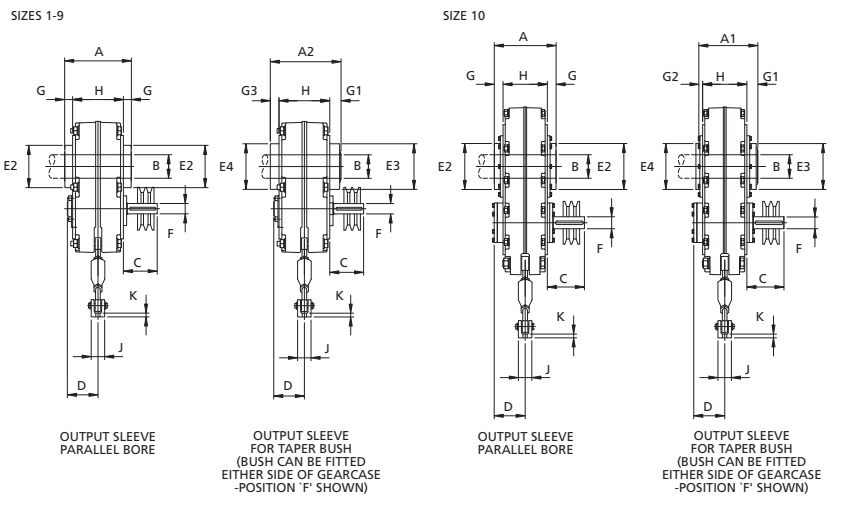
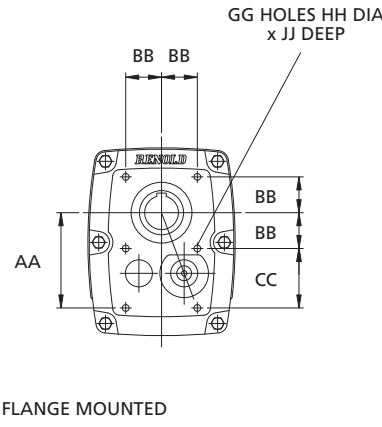
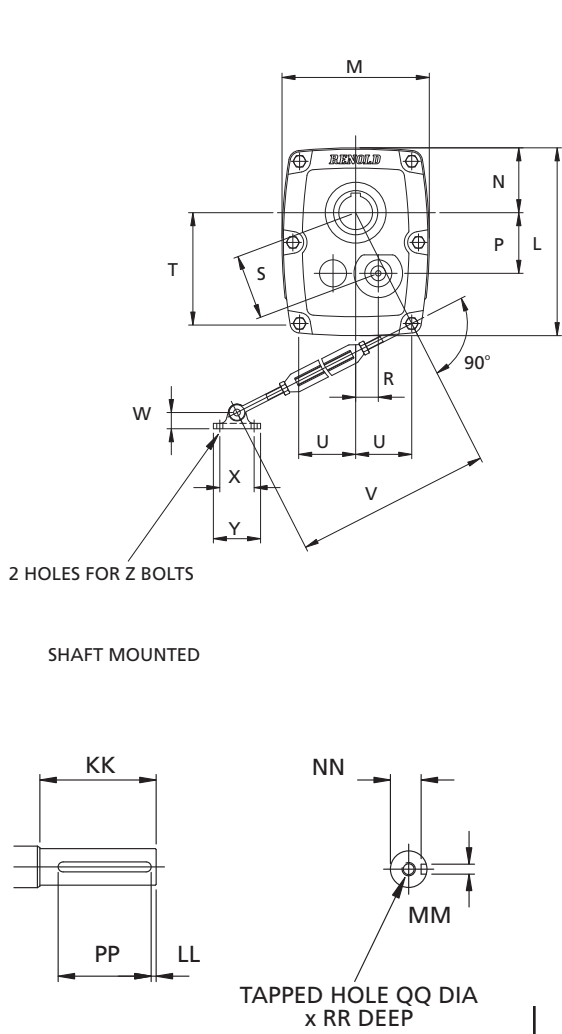
OUTPUT SLEEVE
FOR TAPER BUSH
(BUSH CAN BE FITTED
EITHER SIDE OF GEARCASE
-POSITION 'F' SHOWN)

Size	A	A1	B		C	D		E	E1	F	G	G1	G2	H	J	K	
			Max	Min		No Backstop	Backstop Fitted										
1	134	150			63	60	60	53	87	19	j6	15	29	17	104	29	8
2	142	155			72	66	66	63	97	22	j6	17	29.5	17.5	108	29	8
3	152	167			77	69	69	73	110	25	j6	17	30.5	18.5	118	35	10
4	170	183			85	76	76	83	120	28	j6	20	32.5	20.5	130	35	10
5	189	209			90	88	88	97	144	32	k6	20	37.5	22.5	149	41	13
6	212	237			105	107	107	107	155	42	k6	20	40	25	172	52	14
7	242	259			115	115	115	127	167	48	k6	26	42	27	190	52	14
8	257	268			135	119	119	145	194	55	m6	30	43	28	197	76	21
9	274	285			170	130	130	165	220	60	m6	31	44.5	28.5	212	76	21
10	310	327			186	126	155	165	230	60	m6	44	62	43	222	110	25
11	356	-			219	146	-	210	-	65	m6	47	-	-	262	110	25
12	406	-			250	168	-	265	-	85	m6	53	-	-	300	110	25

SEE TABLE
ON PAGE 16

Size	L	M	N	P	R	S	T	U	V		W	X	Y	Z	AA	BB	CC	DD	EE	FF	GG	HH	JJ	KK	LL	MM	NN	PP	QQ	RR
									max	min																				
1	236	188	82	75.2	26.8	79.8	137	70	500	350	24	50	70	M8	115	40	75	-	-	-	6	M8	12	50	2	6	15.5	45	M6	16
2	278	218	96	89.8	33.5	95.8	164	83	500	350	24	50	70	M8	141	53	88	-	-	-	6	M10	15	56	3	6	18.5	50	M8	19
3	336	258	117	111.3	37.8	117.5	198	95	650	500	28	65	89	M10	167.5	61.5	106	-	-	-	6	M12	18	60	5	8	21	50	M10	22
4	378.5	282	130	124.2	44.6	132	227	106	650	500	28	65	89	M10	199	77	122	-	-	-	6	M12	18	70	4	8	24	63	M10	22
5	420	318	145	136.9	49.6	145.6	251	121	750	600	35	75	108	M12	216	82	134	-	-	-	6	M16	24	70	4	10	27	63	M12	28
6	474	370	164	156	56.8	166	282	135	750	600	40	90	133	M16	239	89	150	-	-	-	6	M16	24	90	5	12	37	80	M16	36
7	550	434	195	189.7	63.5	200	322	165	750	600	40	90	133	M16	277	115	162	-	-	-	6	M20	29	90	5	14	42.5	80	M16	36
8	699	542	254	256	76	267	402	208	910	760	57	115	178	M20	354	160	194	-	-	-	6	M20	29	110	5	16	49	100	M20	42
9	789	568	281	265	90.5	280	462	213.5	910	760	57	115	178	M20	395	165	230	-	-	-	6	M20	31	140	5	18	53	125	M20	42
10	841	642	298	282.1	99	299	486	242	950	800	75	180	240	M24	428	180	248	-	-	-	6	M20	27	155	5	18	53	140	M20	42
11	997	770	370	323.5	120	345	565	298	950	800	75	180	240	M24	455	294	34	195	135	250	8	M16	27	180	5	18	58	170	M20	42
12	1139	880	410	373	133	396	657	340	950	800	75	180	240	M24	535	280	-40	215	130	315	8	M16	27	210	5	22	76	195	M20	42

RENOLD SMX^{tra} Dimensions (mm) with Enhanced Seals



INPUT SHAFT

Size	A	A2	B		C	D		E2	E3	E4	F	G	G1	G3	H	J	K	
			Max	Min		No Backstop	Backstop Fitted											
1	148	154	SEE TABLE ON PAGE 16		63	60	60	94	87	101	19	j6	22	29	21	104	29	8
2	154	159			72	66	66	110	117	122	22	j6	23	29.5	21.5	108	29	8
3	164	170.5			77	69	69	120	130	135	25	j6	23	30.5	22	118	35	10
4	185	185			85	76	76	135	145	150	28	j6	27.5	32.5	22.5	130	35	10
5	204	209			90	88	88	153	163	165	32	k6	27.5	37.5	22.5	149	41	13
6	226	237			105	107	107	157	176	176	42	k6	27	40	25	172	52	14
7	248	259			115	115	115	183	189	193	48	k6	29	42	27	190	52	14
8	263	268			135	119	119	205	216	218	55	m6	33	43	28	197	76	21
9	278	285			170	130	130	225	242	242	60	m6	33	44.5	28.5	212	76	21
10	318	327			186	126	155	233	238	238	60	m6	48	62	43	222	110	25

Size	L	M	N	P	R	S	T	U	V		W	X	Y	Z	AA	BB	CC	GG	HH	JJ	KK	LL	MM	NN	PP	QQ	RR
									max	min																	
1	236	188	82	75.2	26.8	79.8	137	70	500	350	24	50	70	M8	115	40	75	6	M8	12	50	2	6	15.5	45	M6	16
2	278	218	96	89.8	33.5	95.8	164	83	500	350	24	50	70	M8	141	53	88	6	M10	15	56	3	6	18.5	50	M8	19
3	336	258	117	111.3	37.8	117.5	198	95	650	500	28	65	89	M10	167.5	61.5	106	6	M12	18	60	5	8	21	50	M10	22
4	378.5	282	130	124.2	44.6	132	227	106	650	500	28	65	89	M10	199	77	122	6	M12	18	70	4	8	24	63	M10	22
5	420	318	145	136.9	49.6	145.6	251	121	750	600	35	75	108	M12	216	82	134	6	M16	24	70	4	10	27	63	M12	28
6	474	370	164	156	56.8	166	282	135	750	600	40	90	133	M16	239	89	150	6	M16	24	90	5	12	37	80	M16	36
7	550	434	195	189.7	63.5	200	322	165	750	600	40	90	133	M16	277	115	162	6	M20	29	90	5	14	42.5	80	M16	36
8	699	542	254	256	76	267	402	208	910	760	57	115	178	M20	354	160	194	6	M20	29	110	5	16	49	100	M20	42
9	789	568	281	265	90.5	280	462	213.5	910	760	57	115	178	M20	395	165	230	6	M20	31	140	5	18	53	125	M20	42
10	841	642	298	282.1	99	299	486	242	950	800	75	180	240	M24	428	180	248	6	M20	27	155	5	18	53	140	M20	42

RENOLD SMX^{tra} Standard Output Sleeve and Bush Bores

Size	Standard Sleeve Bore	Parallel Reducing Bushes	Alternative Sleeve Bore	Taper-Clamping Bush Bore	Alternative Size Taper-Clamping Bush Bores
1	40	35* 32* 25 20	30	30	25 20 [*]
2	50	45* 42* 35 32 30	40	40	35 30 25 [*]
3	55	45* 42* 40 38	50	50	45 40 35 [*]
4	65	60* 50* 45 40	55	55	50 45 42 [*]
5	75	70* 60* 55 50	65	65	60 55 50 45 [*]
6	85	80* 70* 65* 60	75	75	70 65 60 55 [*]
7	100	95* 90* 80* 75 70	85	85	80 75 70 65 [*] 60 [*]
8	120	110* 95* 90	100	100	90 80 [*] 75 [*] 70 [*]
9	120	110* 100* 95* 90		120	100 90 [*] 80 [*] 70 [*]

Inch bore sizes are available.

Parallel bore reducing bushes are available with alternative sleeve bore unit only.

Size	Maximum Sleeve Bore	Alternative Sleeve Bore	Taper-Clamping Bush Bore	Alternative Size Taper-Clamping Bush Bores
10	125	Bored to customer requirements Consult RENOLD Gears	125	100 90 80
11	150		n/a	
12	190		n/a	

Metric	
Shaft ϕ	Key
20	6 X 6
25	8 X 7
30	8 X 7
32	10 X 8
35	10 X 8
38	10 X 8
40	12 X 8
42	12 X 8
45	14 X 9
50	14 X 9
55	16 X 10
60	18 X 11
65	18 X 11
70	20 X 12
75	20 X 12
80	22 X 14
85	22 X 14
90	25 X 14
95	25 X 14
100	28 X 16
110	28 X 16
120	32 X 18
125	32 X 18

Keyways on shafts should be machined to standard depths appropriate to the key size shown against the shaft diameter.

Sleeve and Bush Bores to F7 limits.

Recommended shaft tolerance j7.

Keyways to B.S. 4235 for metric shafts and B.S.46 for inch shafts.

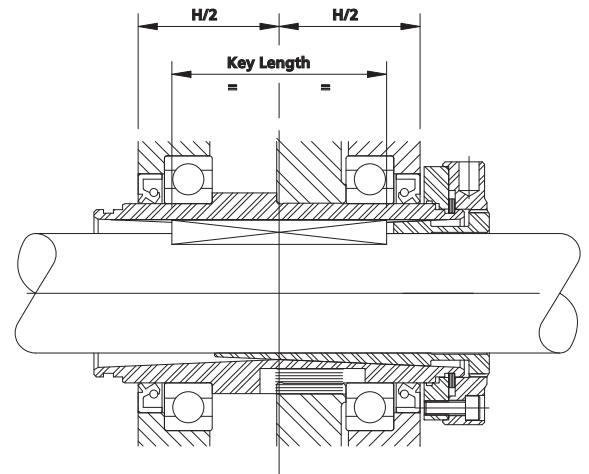
Taper clamping sleeves are suitable for shafts to h11 tolerances.

Keys are supplied for sleeve to bush.

Non-standard shaft keys supplied for parallel reducing bushes marked *.

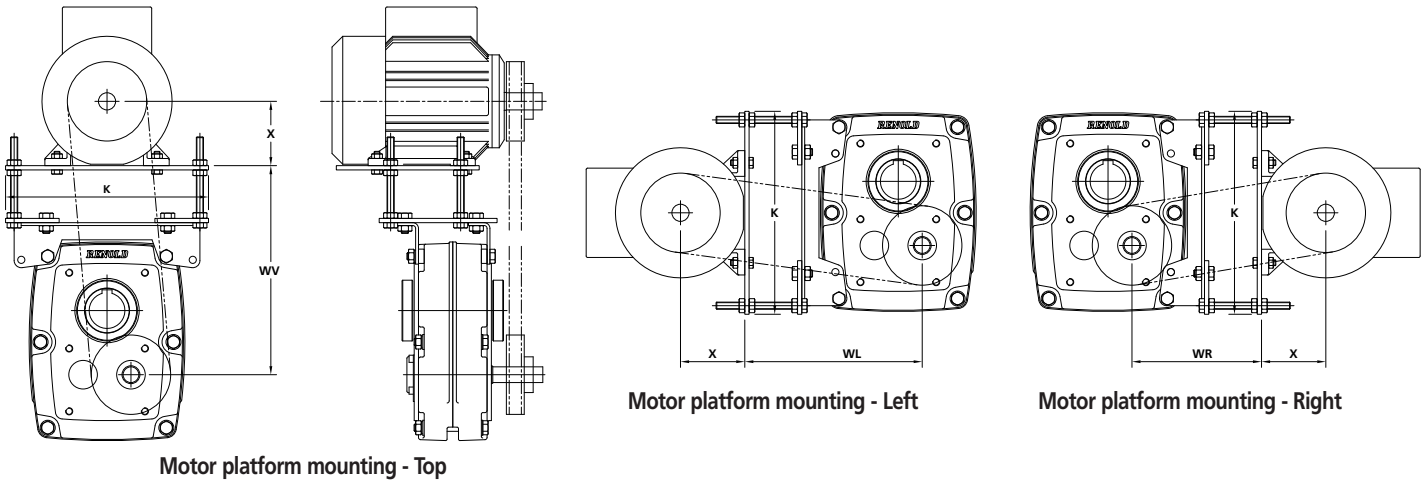
Non-standard shaft keys supplied for taper clamping bushes.

Standard section key is also required for bore marked *.



Size	H/2	Key Length Both Ends Rounded
1	52	70
2	54	70
3	59	90
4	65	100
5	74.5	100
6	86	120
7	95	140
8	98.5	150
9	106	160
10	111	160

RENOLD SMX^{tra} Platform Mounted



Size	Motor Frame Sizes	K		WL		WV		WR	
		max	min	max	min	max	min	max	min
1	D71 D80 D90S D90L D100L	284	165	246	202	283	112	193	
2	D71 D80 D90S D90L D100L D112M	284	197	277	242	322	131	211	
3	D71 D80 D90S D90L D100L D112M	332	223	302	286	365	148	217	
	D132S D132M		227	320	290	383	152	235	
4	D71 D80 D90S D90L D100L D112M	332	241	320	311	390	152	231	
	D132S D132M		245	338	315	408	156	249	
5	D80 D90S D90L D100L D112M	392	261	340	336	415	162	241	
	D132S D132M D160M D160L		265	358	340	433	166	259	
6	D90S D90L D100L D112M	440	289	367	370	448	175	253	
	D132S D132M D160M D160L		293	385	374	468	179	271	
	D180M D180L		299	417	380	498	185	303	
7	D90L D100L D112M	490	330	408	397	475	154	232	
	D132S D132M D160M D160L		334	426	401	493	158	250	
	D180M D180L		340	458	407	525	164	282	
	D200L		346	513	413	580	170	337	
8	D100L D112M	550	394	472	561	639	242	320	
	D132S D132M D160M D160L		398	490	565	657	246	338	
	D180M D180L		404	522	571	689	252	370	
	D200L D225S D225M		410	577	577	744	258	425	
9	D132S D132M D160M D160L	550	428	520	598	690	247	339	
	D180M D180L		434	552	604	722	253	371	
	D200L D225S D225M		440	607	610	777	259	426	
10	D132S D132M D160M D160L	550	473	565	630	722	275	367	
	D180M D180L		479	597	636	754	281	399	
	D200L D225S D225M		485	652	642	809	287	454	

Belt Drive Minimum Centre Distance = W (min) + X + Y

X = Motor Frame Size (e.g. X = 90 for a D90S or D90L motor).

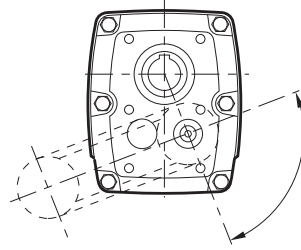
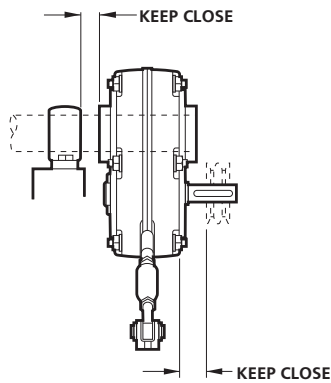
Y = Belt Fitting Allowance = 20mm for SPZ, 25mm for SPA, 30mm for SPB and 50mm for SPC belts.

Motors larger than those listed above for each size are not suitable for this arrangement and should be mounted independently.

Motor Mounting

The **RENOLD SMX^{tra}** motor platform provides a rigid base designed to accept a wide range of motor frame sizes.

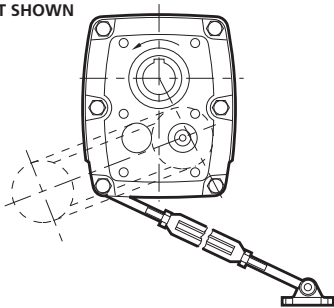
Available in 10 sizes, the motor platform had sufficient adjustment available to ensure a standard belt can be fitted and re-tensioned as required during its working life.



V-BELT DRIVE MAY BE LOCATED TO THE RIGHT IF DESIRED

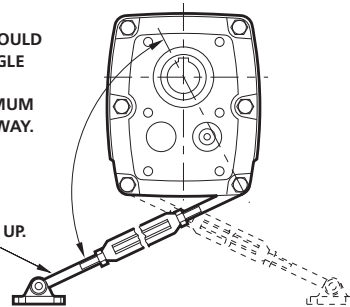
THE V-BELT DRIVE MAY BE LOCATED IN ANY SUITABLE POSITION. IF THE TORQUE ARM IS TO BE USED TO TIGHTEN THE BELTS, THE DRIVE SHOULD BE AT ABOUT 90° BETWEEN THE INPUT AND OUTPUT SHAFTS AS SHOWN.

IF OUTPUT HUB ROTATES CLOCKWISE, POSITION BELT DRIVE AND TORQUE ARM IN OPPOSITE DIRECTION TO THAT SHOWN



THIS ANGLE SHOULD BE A RIGHT ANGLE BUT MAY VARY UP TO A MAXIMUM OF 30° EITHER WAY.

TORQUE ARM AND BELT TAKE UP.



TORQUE ARM MAY BE MOUNTED TO THE RIGHT IF DESIRED.

Torque Arm

Bolt Tightening Torques

Reducer Size	1 & 2	3 & 4	5	6 to 9	10 to 12
Torque Nm	30	50	100	160	350
Torque lb. ft.	22	37	74	118	258

Installation

Complete instructions on the current installation and maintenance of **SMX^{tra}** units are sent with each unit supplied and additional copies are available on request.

Satisfactory performance depends on proper installation, lubrication and maintenance.

Therefore it is important that the instructions in the installation leaflet are followed carefully.

Taper Clamping Sleeve

One bush supplied.

The method of assembly differs in each case. Full details are included in installation instructions.

1. Assembly on Driven Shaft

Parallel Bored

Where the shaft diameter is the same as the maximum (sleeve) bore of the gear unit, no bush is required. Where the shaft diameter is smaller than the sleeve bore, bushes are supplied.

2. Install pulley on gearbox input shaft as close to the reducer as possible. Failure to do this will cause excess loads in the input shaft bearings and could cause their premature failure.
3. Install motor and wedge belt drive with the belt pull at approximately 90° to the centre line between driven and input shafts. This will permit tensioning of the wedge belt drive with the torque arm, which should preferably be in tension. If output hub runs anti-clockwise, torque arm should be positioned to the right.
4. Install torque-arm fulcrum on a rigid support so that the torque-arm will be at approximately right angles to the centre line through the driven shaft and the torque-arm case bolt. Make sure there is sufficient take up in the turn-buckle for belt tension adjustment.

Unit Weights and Oil Quantities

Lubrication

SMX™ Units are supplied without oil and should be filled before running with a recommended lubricant to the correct level dependant on the mounting position.

If backstop fitted mount in position 1 or 2 only.

First Filling

Remove the taper plugs from the filler/breather and level positions as shown in the diagram.

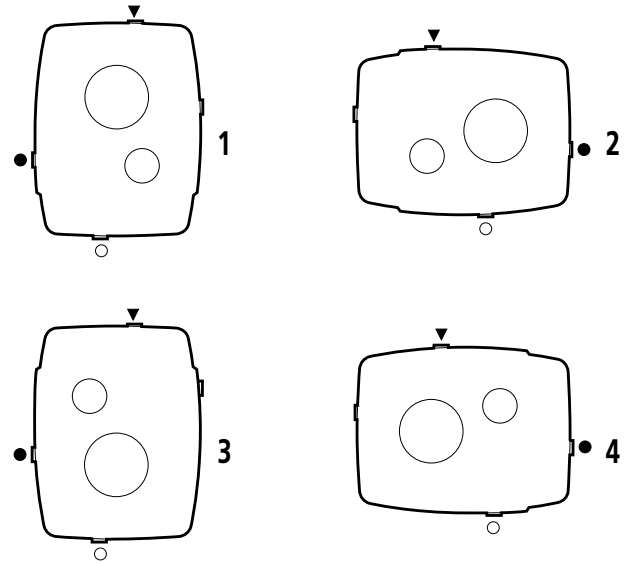
Fill until the lubricant overflows the oil level aperture.

Replace the level taper plug. Fit the filler/breather plug (supplied loose).

Synthetic Lubricants

Certain approved synthetic lubricants are suitable for use in

SMX™ gear units - consult a Renold engineer.



▼ Filler/Breather ● Plug Level ○ Plug Drain Plug

Recommended Oils

ISO Viscosity Grade - EP Mineral Oil.

Unit Ratio Output RPM	5/1		13/1 to 25/1	
	100 - 200	201 - 400	10 - 40	41 - 120
Ambient Temp °C	ISO Viscosity Grade			
-10 to 10	150	150	150	150
5 to 25	320	320	460	320
20 to 40	460	460	680	460

OIL QUANTITIES

Unit Size	Oil Quantities (Litres) Mounting Position			
	1	2	3	4
1	0.5	0.5	0.4	0.5
2	0.8	0.9	0.7	0.9
3	1.1	1.4	1.2	1.4
4	1.6	2.0	1.8	2.0
5	2.4	3.0	2.4	3.0
6	3.4	4.6	3.0	4.6
7	5.1	7.2	5.4	7.6
8	7.1	14.7	8.9	15.0
9	11.0	20.0	13.0	21.0
10	15.0	22.0	17.0	23.0
11	23	38	28	39
12	33	53	41	53

UNIT WEIGHT (KGS)

UNIT RATIO

Unit Size	5:1	13:1 to 25:1
1	15.8	16.8
2	22.0	23.4
3	33.5	35.7
4	44.0	48.0
5	67.0	72.0
6	98.0	106
7	165	175
8	253	270
9	300	320
10	-	415
11	-	670
12	-	960

Oil Recommendations

The correct fill of oil for the unit size and mounting position can be found in either the appropriate catalogue or the Installation and Maintenance Guide. Only good quality oils should be used, such as those listed below, as the use of inferior or unsuitable products may cause rapid wear and possible damage to the gearbox.

Oils with three viscosity ranges (Light, medium and heavy) are listed below, the correct choice depends on the application operating speed, load and temperature. Temperature and speed can often be the main factor as it effects the operating viscosity.

If the unit runs below the catalogue rating and operates at a temperature below 60 °C then a light grade oil should be used. Operating at catalogue rating with temperatures up to 100 °C requires medium grade.

Using too heavy a grade than required will result in reduced efficiency, too light a grade will result in premature wear. If in doubt ask Renold Gears Technical Department. Heavy grade oils are shown for reference only.

Which oil to select

There are three main oils Mineral, Synthetic (Polyalphaolefin) and Synthetic (Polyglycol). Mineral oils tend to be cheaper, have a lower life and are less efficient. Synthetic (Polyalphaolefin) can operate over a higher temperature range, are more efficient and have a longer life.

The use of Synthetic (Polyglycol) are not recommended without prior discussion with Renold as special paints and seals are required. If necessary a list of recommended food grade oils is available on request.

	Light		Medium		Heavy	
Mineral Oil	Temp °C		Temp °C		Temp °C	
Mobil Gear	630	-13 to 90	632	-13 to 90	634	-1 to 90
Mobil Gear XMP	220	-13 to 100	320	-13 to 100	460	-1 to 100
Castrol Alpha SP	220	-21 to 120	320	-21 to 120	460	-6 to 120
Castrol AlphaMax	220	-24 to 120	320	-18 to 120	460	-15 to 120
Shell Omala F	220	-9 to 120	320	-9 to 120	460	-9 to 120
Shell Omala	220	-9 to 120	320	-9 to 120	460	-9 to 120
Esso Spartan EP	220	-30 to 120	320	-27 to 120	460	-18 to 120
Kluberoil GEM 1	220	-18 to 100	320	0 to 100	460	0 to 100

	Light		Medium		Heavy	
Synthetic (Polyalphaolefin)	Temp °C		Temp °C		Temp °C	
Mobil Gear SHC	630	-42 to 160	632	-42 to 160	634	-39 to 160
Mobil Gear SHC XMP	220	-42 to 160	320	-42 to 160	460	-39 to 160
Castrol Alpha EP	220	-42 to 150	320	-36 to 150	460	-20 to 150
Castrol Alpha T	220	-36 to 150	320	-33 to 150	460	-33 to 150
Shell Omala HD	220	-40 to 150	320	-40 to 150	460	-40 to 150
Esso Spartan Synthetic EP	220	-27 to 120	320	-27 to 120	460	-18 to 120
Klubersynth EG 4	220	-30 to 160	320	-30 to 160	460	-25 to 160

If a Sprag Clutch backstop is fitted internally to the gear unit, oils with EP type additives must not be used.

Oil Recommendations

The oils shown below are all suitable for use with Sprag Clutch backstops

	Light		Medium		Heavy	
Mineral Oil	Temp °C		Temp °C		Temp °C	
Mobil DTE	BB	-7 to 90	AA	2 to 90	HH	2 to 90
Castrol Alpha ZN	220	-9 to 120	320	-9 to 120	460	-9 to 120
Shell Vitrea	220	-24 to 120	320	-18 to 120	460	-15 to 120
Esso Teresso	220	-18 to 120	320	-12 to 120	460	-9 to 120
Kluberoil GEM 1	220	-18 to 100	320	0 to 100	460	0 to 100

	Light		Medium		Heavy	
Synthetic (Polyalphaolefin)	Temp °C		Temp °C		Temp °C	
Mobil Gear SHC	630	-42 to 160	632	-42 to 160	634	-39 to 160
Castrol Alpha T	220	-36 to 80	320	-33 to 80	460	-33 to 80
Shell Omala RL	220	-40 to 80	320	-40 to 80	460	-40 to 80
Esso Teresso SHP	220	-42 to 150	320	-36 to 150	460	-30 to 150

Notes

Terms and Conditions

- In the interests of safety, customers are reminded that when purchasing any technical product for use at work (or otherwise), any additional or up-to-date information and guidance, which it has not been possible to include in the publication, should be obtained by you from your local sales office in relation to the suitability and the safe and proper use of the product. All relevant information and guidance must be passed on by you to the person engaged in, or likely to be affected by or responsible for the use of the product
- The performance levels and tolerances of our product stated in this catalogue (including without limitation, serviceability, wearlife, resistance to fatigue, corrosion protection) have been verified in a programme of testing and quality control in accordance with Renold, independent and/or international standard recommendations. No representations or warranties are given that our product shall meet the stated performance levels or tolerances for any given application outside the performance levels and tolerances for the product's own specific application and environment.

- Whilst all reasonable care in compiling the information contained in this catalogue is taken, no responsibility is accepted for errors.
 - All information contained in this catalogue is subject to change without notice.
 - The illustrations used in this catalogue represent the type of product described but the goods supplied may vary in some detail from those illustrated.
 - The right is reserved to make modifications to the product to meet manufacturing conditions and/or developments (for example in design or materials).
 - Product can be supplied by Renold companies or representatives around the world on the standard terms and conditions of sale of the company or representative from which the product is purchased.
 - Copyright Renold Power Transmission Limited 2001. All rights reserved.
- Nothing contained in this publication shall constitute a part of any contract, express or implied.

RENOLD

A global power transmission group serving global markets through an international network.

For your local Renold sales and service location visit www.renold.com

Superior Technology. Global Expertise.

CATSMXtra/03.12

A Business of Renold Power Transmission Ltd.



RENOLD
Superior Gear Technology

www.renold.com