

MTS Single phase control and isolation transformer P: 100VA IN: 230/400VAC OUT: 230VAC

Single-phase - Control and Isolation transformers
100 VA
Isolation class T 40/B

Image

- (EN 61558)
- Protection IP20

Vicarious picture

Approvals**Input**

| | |
|-----------------------|--------------------------------------|
| Input voltage | 230/400 V AC |
| Frequency | 50/60 Hz |
| Input current | 0.51 A (230 V AC); 0.29 A (400 V AC) |
| Inrush current | 3.53 A (230 V AC); 2 A (400 V AC) |
| Short-circuit current | 4.86 A (230 V AC); 2.8 A (400 V AC) |

Output

| | |
|----------------|----------|
| Output voltage | 230 V AC |
|----------------|----------|

General data

| | |
|--------------------------|--|
| Standards | (EN 61558-1), (EN 61558-2-4), (EN 62041 category 0) |
| Test isolation voltage | 4 kV (prim./sec.) |
| Temperature range | -20...+40 °C, no condensation |
| Mounting method | Long-hole mounting or DIN-rail mountable TH35 (EN 60715) |
| Dimensions H x W x D | 86 x 84 x 98 mm |
| Fixing centers a x b x c | 64.5 x 64 x 4.8 mm |
| Drill hole Ø | 4.8 x 8.4 mm |

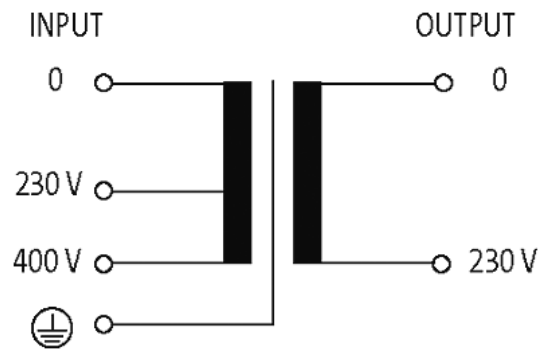
Commercial data

| | |
|--------------------------------|----------|
| Net weight | 1900 |
| Weight unit | gram |
| Basic unit | pc. |
| Customs tariff number | 85043180 |
| Unit (piece) | 1 |
| Minimum order quantity (piece) | 1 |

Comments

Other voltages on request.

Circuit diagram



Dimension drawing

