

Exact12, 8xM12, 4-pole, moulded cable 3.0m PUR/PVC 8x0,34+3x0,75, UL/CSA

4-pole  
PUR/PVC  
3.0 m

## Image



Vicarious picture

## Approvals



## Contact layout

Contact 1	(+)
Contact 3	(-)
Contact 4	(N/O)/(S1)
Contact 5	(Earth)
LED display	LED (green): Power    LED (yellow): signal (S1)

## Technical Data

Operating voltage	24 V DC
Operating current per contact	max. 4 A
Protection	IP65, IP67
Housing	Plastic, flame retardant
Temperature range	-20...+70 °C, depending on cable quality
Total current	max. 8 A

## Technical data M12 port

Locking of ports	Screw thread M12 × 1 mm
------------------	-------------------------

All data on this data sheet was compiled carefully.

Liability regarding correctness, completeness, and actuality is limited to gross negligence. Created: 08/13

**Cable**

No./diameter of wires	8 × 0.34 + 3 × 0.75 mm <sup>2</sup>
C-track properties	2 million
Jacket	PUR/PVC
Outer diameter	approx. 8.1 mm
Bend radius (moving)	12 × outer diameter
Temperature range (fixed)	-30...+80 °C
Temperature range (mobile)	-5...+70 °C

**Commercial data**

Net weight	560
Weight unit	gram
Basic unit	pc.
Customs tariff number	85444290
Unit (piece)	1
Minimum order quantity (piece)	1

**Comments**

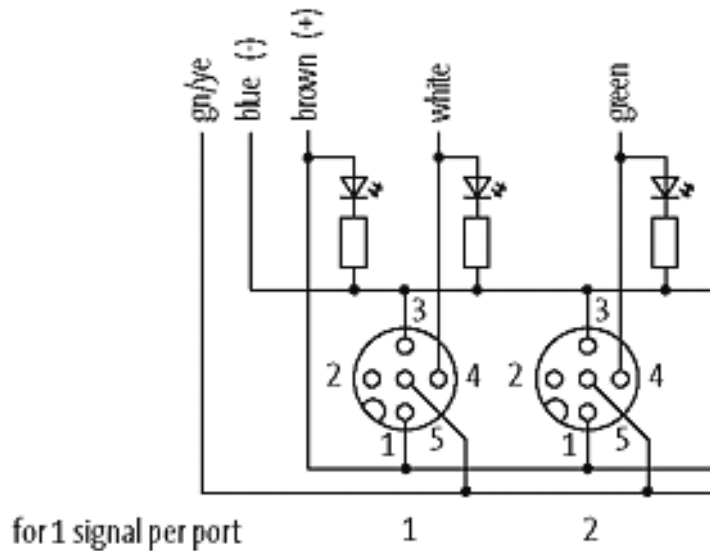
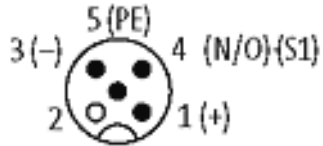
Further cable lengths on request.

Plastic housings with good resistance against chemicals and oils.

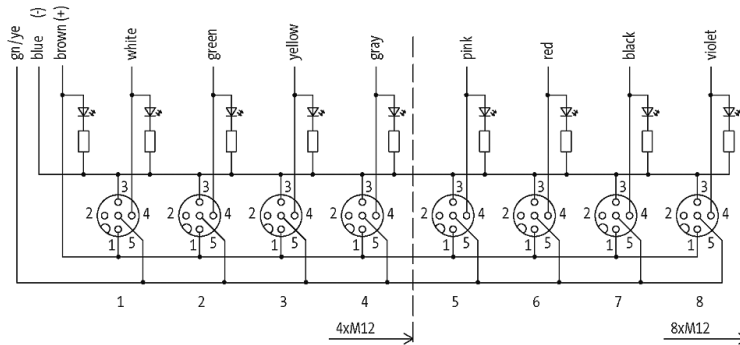
The resistance to aggressive media should be individually tested for your application. Further details on request.

Contact layout

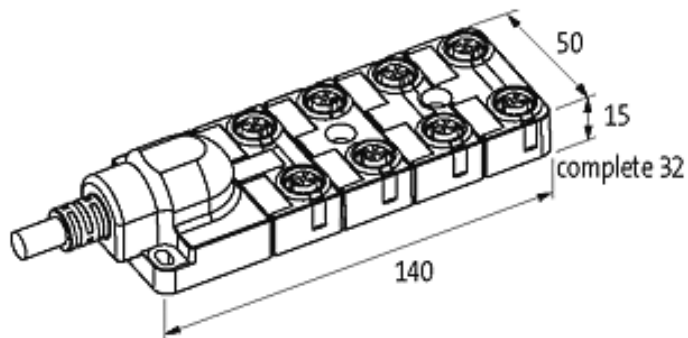
M12-Females 4-pole



Circuit diagram



Dimension drawing



De-rating curve

