

**Modlink MSDD front panel interface frame modul double metal matte nickel plated**

Frame: metal, matte nickel plated

Lid: metal, matte nickel plated

**Image**

Vicarious picture

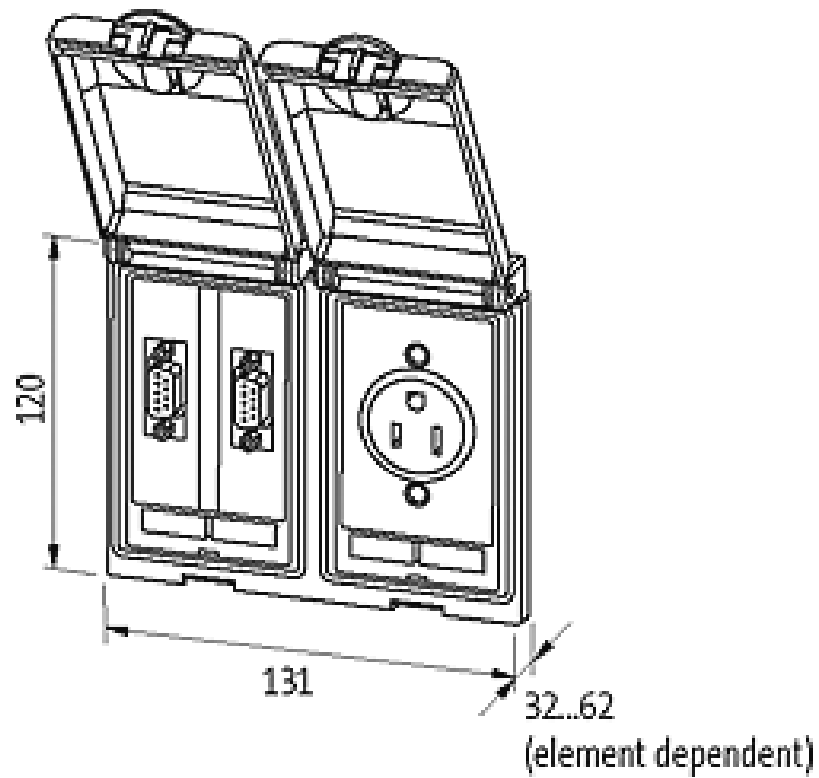
**General data**

Shielded	yes
Protection	IP65
Temperature range	-10...+60 °C (storage temperature -25...+60 °C)
Housing	zinc die-casting, with surface finishing
suitable for mounting with wall thickness	1...5 mm

**Commercial data**

Net weight	574
Weight unit	gram
Basic unit	pc.
Customs tariff number	85389099
Unit (piece)	1
Minimum order quantity (piece)	1

## Dimension drawing



## Control cabinet cut-out

