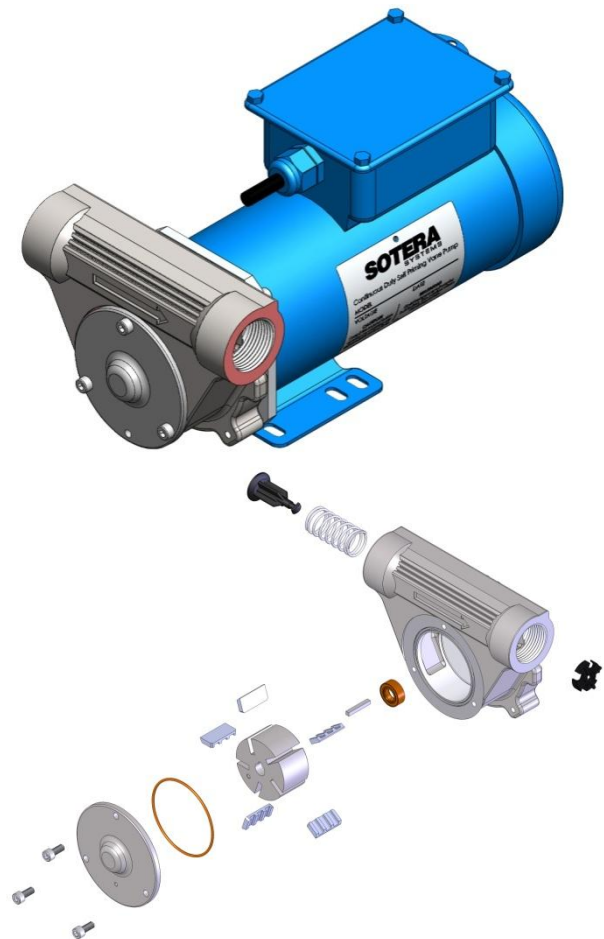


SV20 Pump S & E Data Sheet

(230 VAC / 50 Hz models*)

Technical Information (230 VAC, 50 Hz models*)

| Material of Construction | |
|--------------------------|---------------------|
| Housing | 304SS |
| Shaft | 316SS |
| Rotors | Proprietary SS |
| Vanes | POM / Acetal |
| Seal | Viton® |
| O-rings | Viton® |
| Product Specs | |
| Flow - GPM (LPM) | 18 (68) |
| Pressure - PSI (Bar) | 23 (1.59) |
| Min/Max Temp | 14° to 104°F |
| Motor HP (watts) | .4 (298) |
| Speed - RPM | 2875 |
| Duty Cycle | Continuous |
| Max Viscosity - SSU | 50 |
| Motor Enclosure | TEFC |
| Porting Outlet | BSPB |
| Power Supplied | 230 VAC / 50Hz |
| Max FLA - amps | 3.1 |
| Misc | |
| Mounting | Foot |
| Certifications | UL Recognized Motor |
| Mechanical or Electrical | N/A |
| Platform (technology) | Vane Pump |



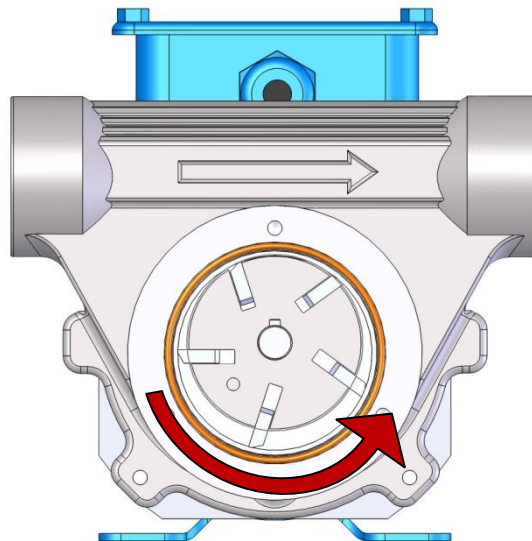
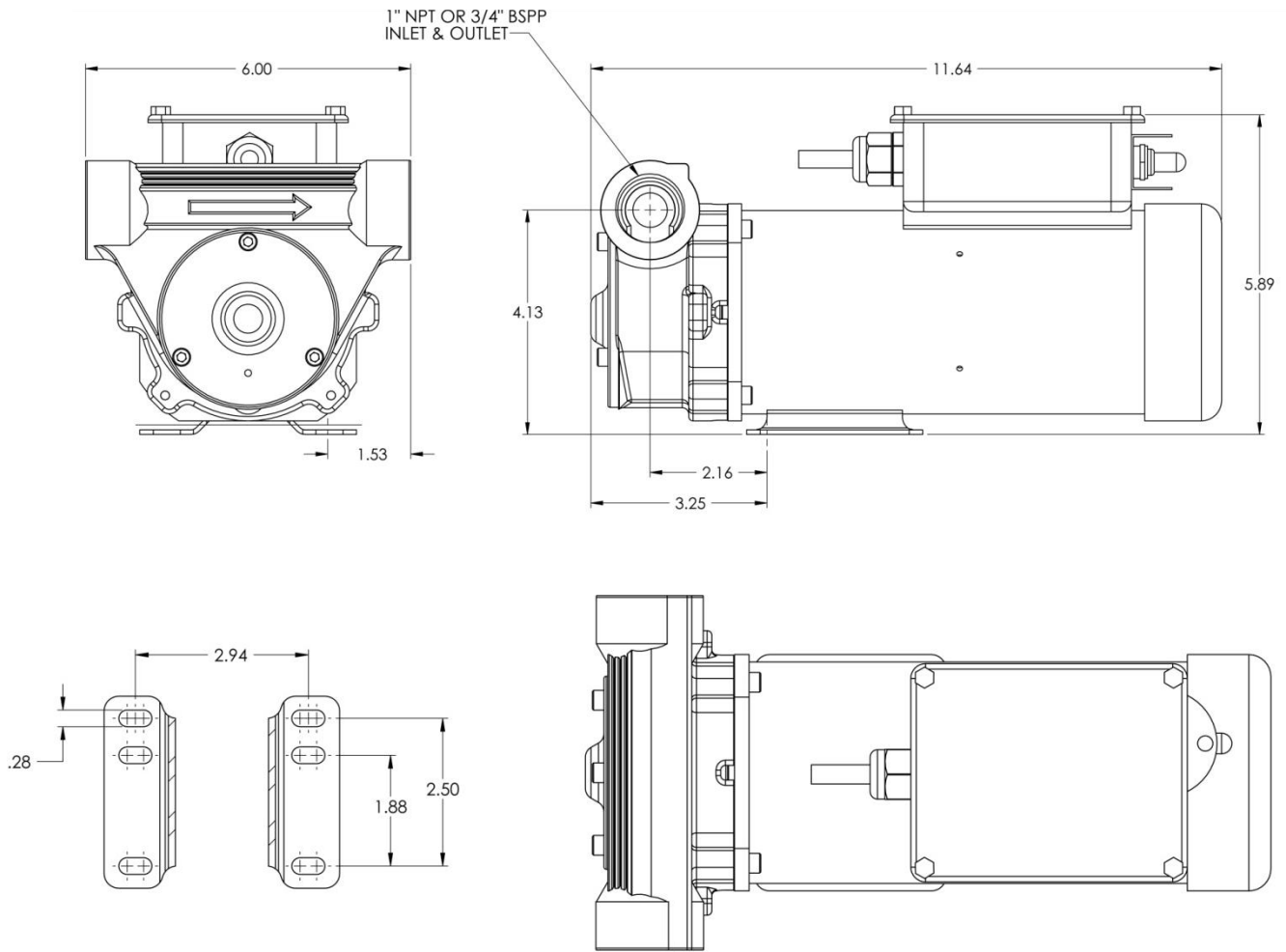
Nomenclature

| LOP | Pump Type | GPM | Motor Detail | Seal | Thread | Pump Body | Pump Internals | REV |
|----------|-----------|-----|-----------------------------|------|--------|-------------|------------------|-----|
| S-Sotera | V-Vane | 20 | A2 - 230VAC 50z 2875 RPM | D | B-BSPB | S-Stainless | D-POM-Viton Seal | 0 |
| | | | | | | | | |
| | | | | | | | | |

*Applicable to model:

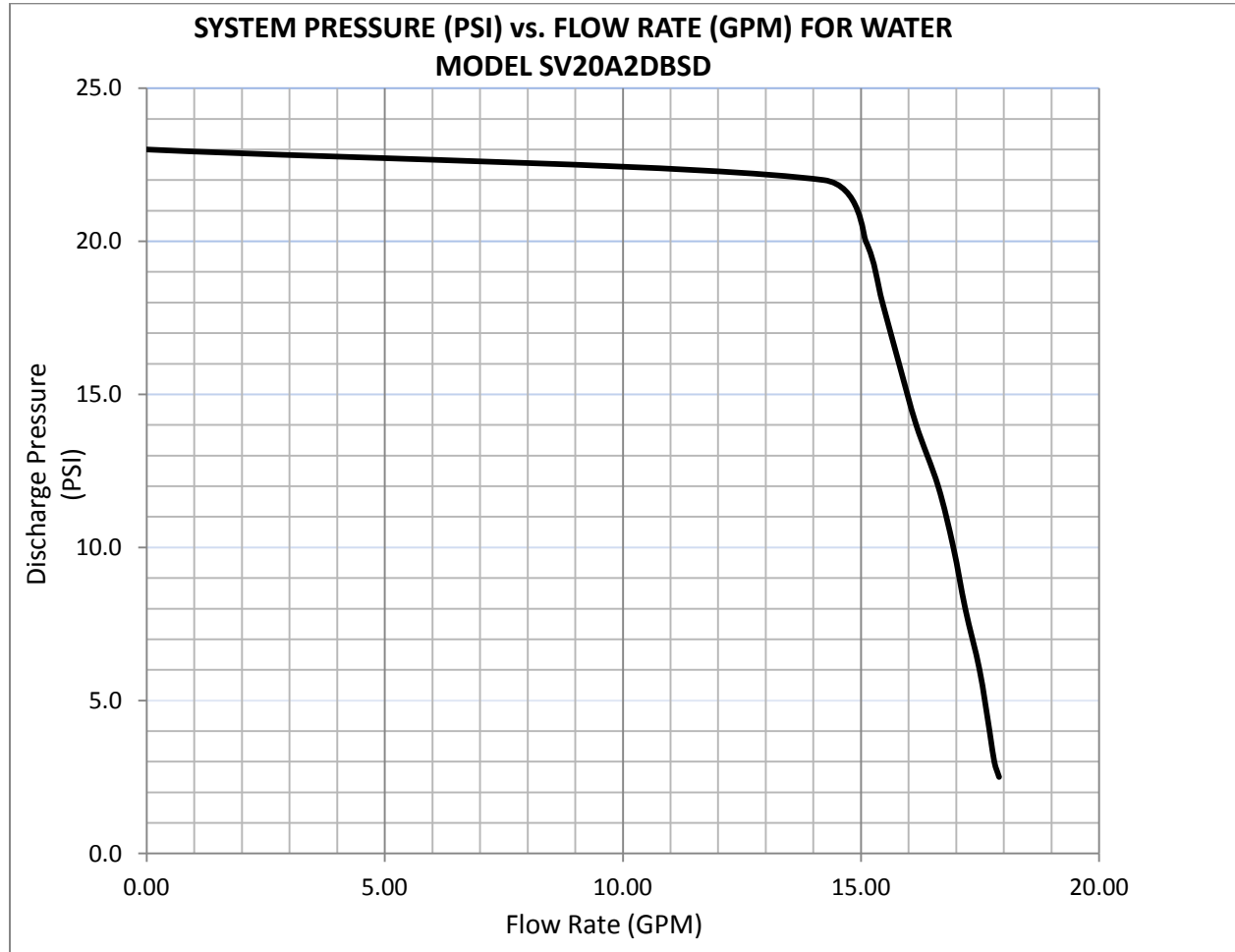
SV20A2DBSD

Dimensional Information



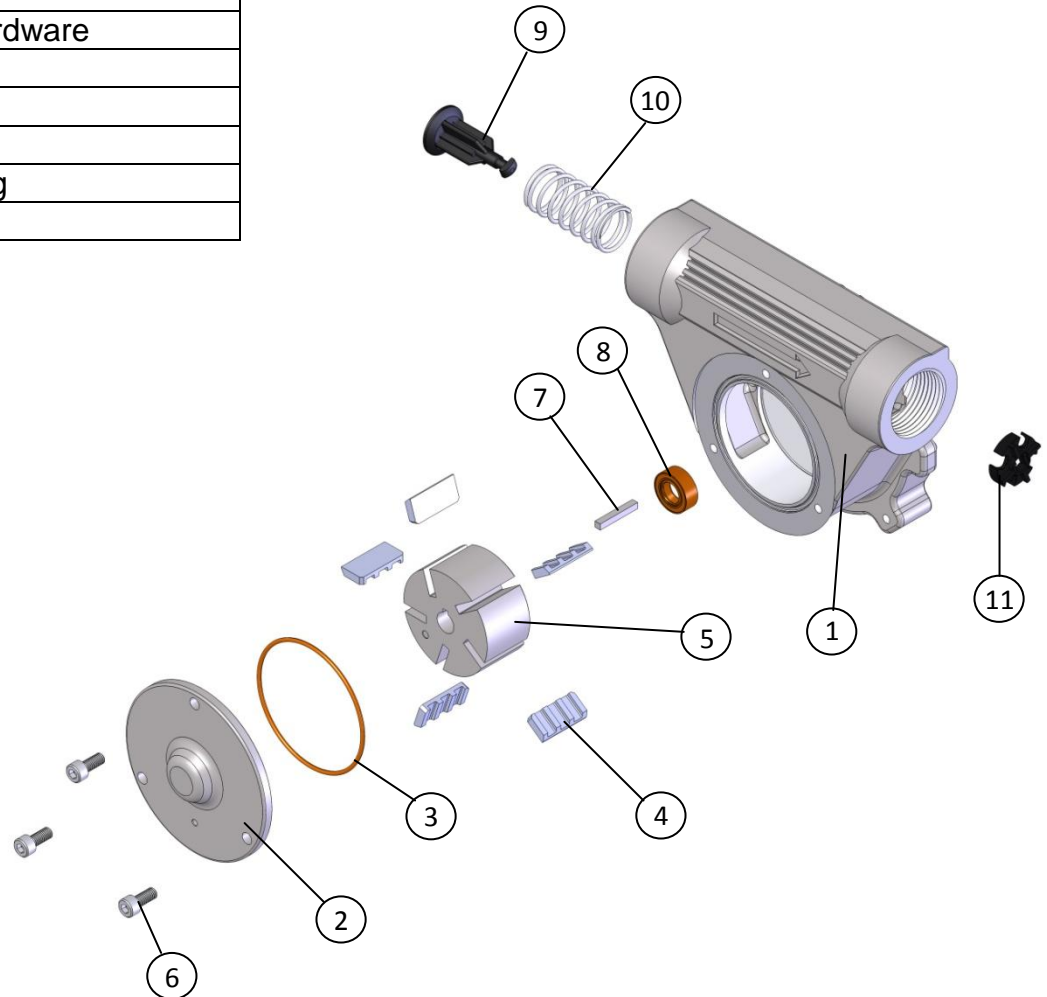
Rotation Orientation

Performance Information



Kit & Accessory Information

| KIT180RG | |
|----------|-----------------------------|
| # | Description |
| 1 | Pump Housing (not included) |
| 2 | Rotor Cover |
| 3 | O-ring seal |
| 4 | Vanes |
| 5 | Rotor |
| 6 | Fastening Hardware |
| 7 | Rotor Key |
| 8 | Shaft Lip Seal |
| 9 | Bypass Valve |
| 10 | Bypass Spring |
| 11 | Bypass Cap |



| Accessories | | |
|-------------|-------------------------|--|
| Part Number | Description | Contents |
| KITFR180MP | Tote Plate | Mounting plate for SV20 motor; accommodates pump, hose reel (KITFR32RA), and nozzle rest |
| KITFR32RA | Hose Reel & Support Rod | Hose Reel and Support Rod for Mounting Plate (KITFR180RA); supports and retracts hose |
| KITFR55DU | Drum Kit | Roller Base with Locking Roller Bearing Casters, Tote Plate Platform, Drum Lock Bar |