

MTL Single phase safety transformer P: 100VA IN: 230/400VAC +/- 15VAC OUT: 2x24VAC

Single-phase safety transformer
100 VA
Isolation class T 60/B

Image

- (EN 61558)
- Protection IP20
- Isolation class T 60/B

Vicarious picture

Approvals**Technical Data**

LED display LED (green) for input voltage

Input

Input voltage 230/400 ±15 V AC
Frequency 50/60 Hz
Input current 0.52 A (230 V AC); 0.3 A (400 V AC)
Inrush current 5.4 A (230 V AC); 3.12 A (400 V AC)
Short-circuit current 10 A (230 V AC); 5.77 A (400 V AC)

Output

Output voltage 1 × 24, 1 × 48, 2 × 24 V AC

General data

Standards (EN 61558-2-4), (EN 61558-2-6), (EN 62041 category 0)
Test isolation voltage 5.1 kV (prim./sec.)
Temperature range -20...+60 °C, no condensation
Fixing centers a × b × c 96 × 60 × 5.5 mm
Dimensions H × W × D 108 × 87 × 139 mm
Drill hole Ø 5.5 × 9 mm
Mounting method DIN-rail mountable TH35-15 (EN 60715) or for key-hole mounting

Commercial data

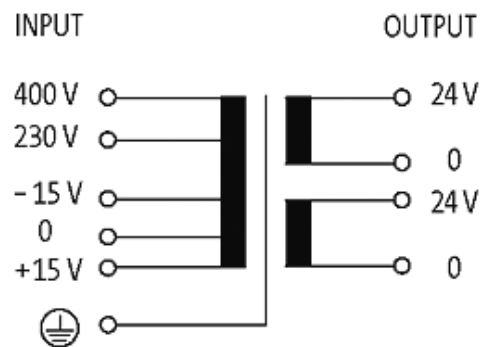
Net weight 2860
Weight unit gram
Basic unit pc.
Customs tariff number 85043180
Unit (piece) 1
Minimum order quantity (piece) 1

All data on this data sheet was compiled carefully.

Liability regarding correctness, completeness, and actuality is limited to gross negligence. Created: 08/13

Accessories	Art.-No.
Accessory for MTL/MTPS label for MTL/MTPS	89661
Accessory for MTL bridges for MTL transformers VP10ST	89660

Circuit diagram



Dimension drawing

