

MB Cap Ultra buffer modul IN: 24VDC OUT: 24VDC/40A for max. 1A/170S

INPUT: 24 V DC (SELV/PELV)

Buffer time: 3.6 s

OUTPUT: max. 40 A

Image



Vicarious picture

Approvals



Input

Input voltage	21.6...26.4 V DC
Input current	40 A
Inrush current	max. 36.5 A
Loading time	typ. 140 s; max. 300 s

Output

Output voltage	25.5 V...19 V DC \pm 2 %
Output current	max. 40 A (+60 °C)
Buffering time	3.6 s (40 A); 170 s (1 A)

General data

Standards	(EN 61000-6-2), (EN 61000-6-4)
Temperature range	-20...+60 °C (storage temperature -20...+60 °C)
Mounting method	DIN-rail mountable TH35-7.5/TH35-15 (EN 60715)
Efficiency	90 %

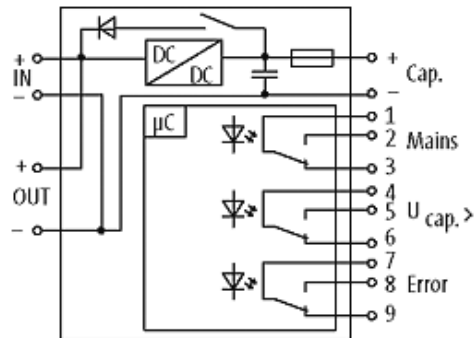
Commercial data

Net weight	2100
Weight unit	gram
Basic unit	pc.
Customs tariff number	85044090
Unit (piece)	1
Minimum order quantity (piece)	1

All data on this data sheet was compiled carefully.

Liability regarding correctness, completeness, and actuality is limited to gross negligence. Created: 08/13

Circuit diagram



Dimension drawing

