

MSUD valve form A 18mm with cable PVC-JZ 3x0,75 grey 3m

Form A (18 mm)
24 V AC/DC with LED and suppression

Image

Vicarious picture

Approvals**Form**

18021

Technical Data

Operating voltage	24 V AC/DC $\pm 25\%$
Operating current per contact	max. 4 A
Switch off peak	max. 55 V
Switch off delay time	max. 20 ms
Locking of ports	M3 (recommended torque 0.4 Nm)
Protection	IP65 and IP67 when plugged and screwed down (EN 60529)
Housing	Black plastic (gray on request)
Temperature range	-25...+85 °C, depending on cable quality

Cable

No./diameter of wires	3 x 0.75 mm ²
Wire isolation	PVC (bk, num, gnye)
C-track properties	
Jacket	PVC
Outer diameter	approx. 5.9 mm
Bend radius (moving)	10 x outer diameter
Temperature range (fixed)	-30...+70 °C
Temperature range (mobile)	-5...+70 °C

All data on this data sheet was compiled carefully.

Liability regarding correctness, completeness, and actuality is limited to gross negligence. Created: 08/13

Commercial data

Net weight	213
Weight unit	gram
Basic unit	pc.
Customs tariff number	85444290
Unit (piece)	1
Minimum order quantity (piece)	1

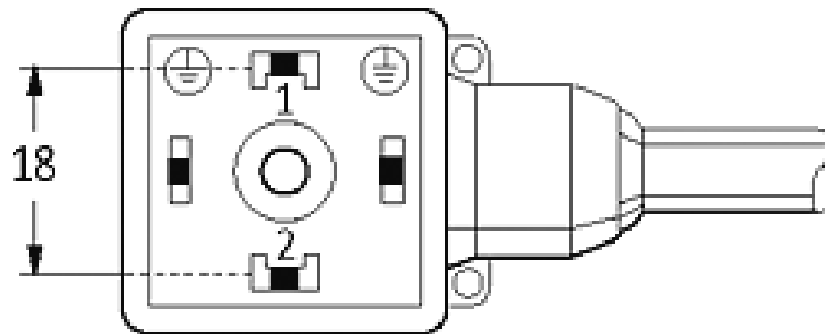
Comments

Further cable lengths on request.

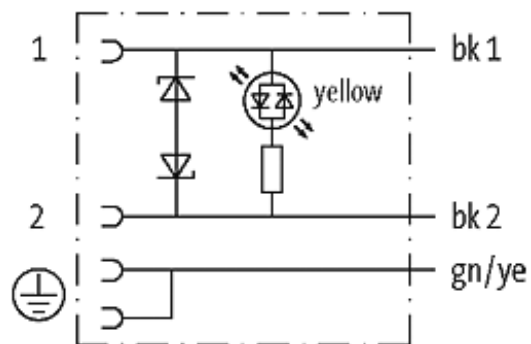
Plastic housings with good resistance against chemicals and oils.

The resistance to aggressive media should be individually tested for your application. Further details on request.

Contact layout



Circuit diagram



Dimension drawing

