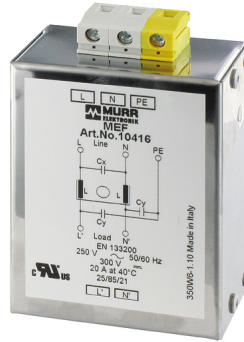


MEF EMC-Filter 1-phase 1-stage I:10A U:250 VAC /300 VDC snap on

Current: 10 A
 DIN-rail mountable
 for universal applications

Image

Vicarious picture

Approvals**Technical Data**

Operating voltage	max. 250 V AC / 300 V DC
Operating frequency	50...60 Hz
Consumption at 250 V AC	max. 5 mA
Overload current	18 × (IN t) max. 0.5 ms; 1.5 × (IN t) max. 1 min. (1 × per hour)
Connection diameter	0.2...6 mm ² single core (AWG 24...9); 0.2...4 mm ² multiple core (AWG 24...11)

General data

Climatic category	25/085/21 (EN 60068-1)
Test isolation voltage	L - N: 2.7 kV DC, 2 s; L - L: 2.1 kV DC, 2 s (EN 60939-2)
Connection	Screw connection, touch protected
Mounting method	DIN-rail mountable TH35 (EN 60715)

Description

The single phase, 1-stage EMC filters MEF 1/1 are used in the range 0.1...30 MHz to suppress cable carried interference in power and control cabling. The best results are obtained with short connection cables (suggestion: earth connection < 10 cm) of the largest possible cross-section. The EMC filters are bi-directional. Voltage interferences irrespective of where they originate, either voltage input or modules, are suppressed. The filter with over voltage protection has an additional transient function. Good filter performance is achieved when applied to the bridge rectifier.

All data on this data sheet was compiled carefully.

Liability regarding correctness, completeness, and actuality is limited to gross negligence. Created: 08/13

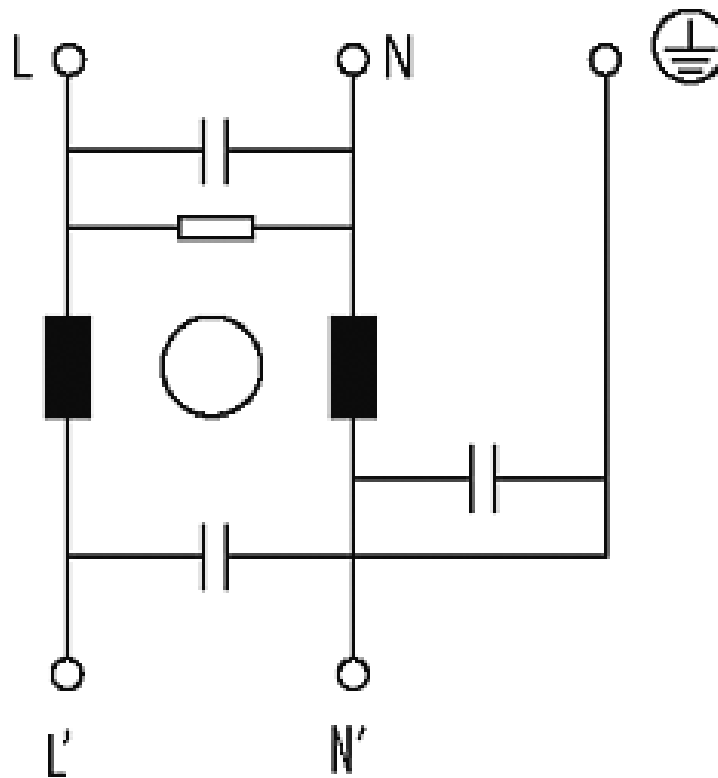
Commercial data

Net weight	316
Weight unit	gram
Basic unit	pc.
Customs tariff number	85363010
Unit (piece)	1
Minimum order quantity (piece)	1

Comments

Attenuation curves on request.

Circuit diagram



Dimension drawing

