

**MICO+ 4.6 Electronic auxiliary circuit, 4 channels IN: 24VDC OUT: 24V/1-2-4-6ADC**

MICO+ 4.6  
4 channels  
Current adjustment 1, 2, 4, 6 A

**Image**

- Fire protection (EN 60950-1)
- Operating voltage protection (EN 61131-2)

Vicarious picture

**Technical Data**

Operating voltage	24 V DC (18...30 V DC)
Current adjustment	1 A, 2 A, 4 A, 6 A, by countersunk rotary switch, sealed
Group alarm output	max. 20 mA; high: all channels ON; low: not all channels ON
Inrush capacity	max. 20 mF (per channel)
Remote start (ON)	10...30 V DC
Remote start (OFF)	10...30 V DC
Impulse length	min. 20 ms
Early warning (90%)	max. 20 mA; high: one channel over 90%; low: all channels under 90%

**General data**

Connection	Spring clamp terminals
Input terminals	2 × 16 mm <sup>2</sup>
Output terminals	per output 2 × 1.5 mm <sup>2</sup>
Alarm terminals	2.5 mm <sup>2</sup>
Bridging concept	two sides, with spring clamp terminals or bridge set (max. 40 A)
Temperature range	0...+55 °C (storage temperature -40...+80 °C)
Mounting method	DIN-rail mountable TH35 (EN 60715)

**Commercial data**

Net weight	160
Weight unit	Gram
Basic unit	pc.
Customs tariff number	85363010
Unit (piece)	1
Minimum order quantity (piece)	1

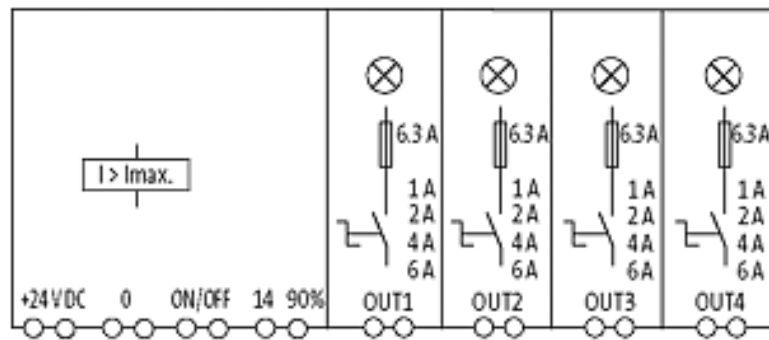
**Functions**

Adjustable current range
Expanded diagnostic
Intelligent current monitoring
Signal contact

All data on this data sheet was compiled carefully.

Liability regarding correctness, completeness, and actuality is limited to gross negligence. Created: 03/14

## Circuit diagram



## Dimension drawing

