

MPL POWER SUPPLY 3-PHASE, SMOOTHED

IN: 208-520VAC+/- 5% OUT: 24V/40ADC

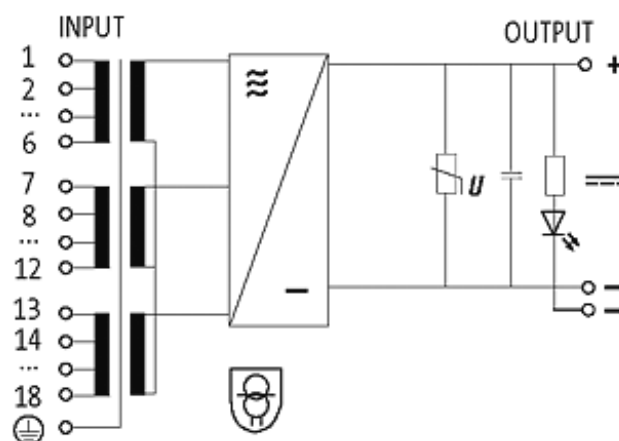
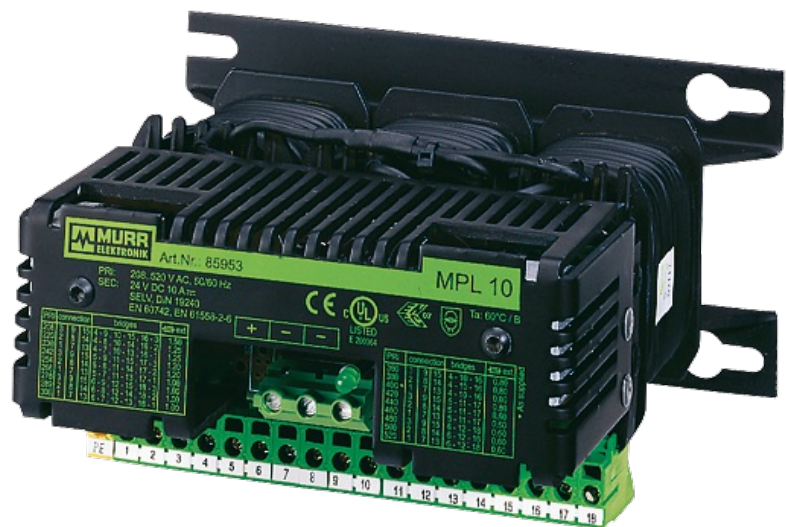
Current: 40 A

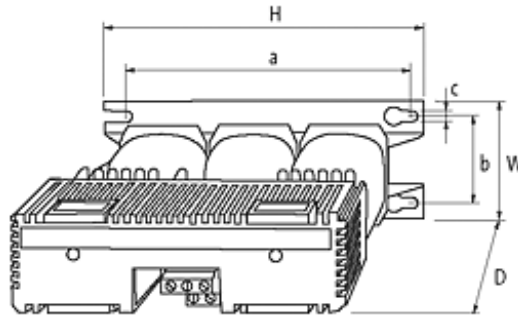
Output rating: 960 W

This power supply units meet the (EN 61000-3-2) standard for harmonic current.

[Link to Product](#)

Illustration





Product may differ from Image

Approvals

cULus

cURus

General data

Standards	(EN 61558-2-6), (EN 62041 category I), (EN 55011 B), (EN 61000-3-2)
Mounting method	Key-hole mounting
Temperature range	-20...+55 °C, for any mounting position at vertical wall, no condensation
Efficiency	79 %
Dimensions H x W x D	280x124x313
Fixing centers a x b x c	256.5x98x11

Input

Input voltage	3 x 208...520 V AC
Frequency	50...60 Hz

Output

Output voltage	24 V DC (SELV)
Output current	max. 40 A
Ripple	max. 2 %rms
Output fuse external	40 A T
Output filter	LED, VDR and smoothing capacitor

Commercial data

country of origin	CZ
customs tariff number	85044090
minimum order quantity	1