

Emparro Power Supply 3-PHASE

IN: 360 - 500VAC OUT: 24-28V/40ADC

INPUT: 3 × 324...572 V AC / 480...745 V DC

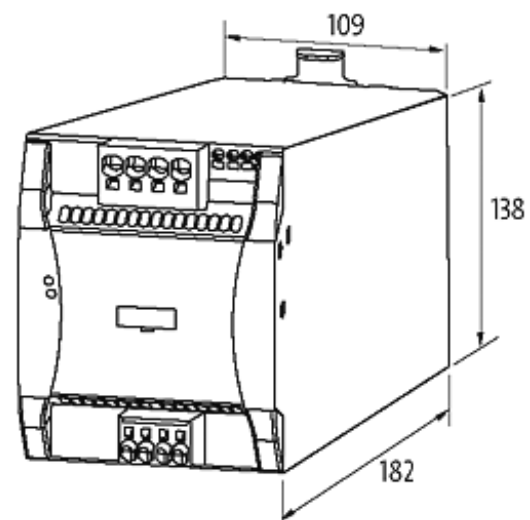
OUTPUT: 24...28 V DC

Current: 40 A

No UL-approval for DC operation

[Link to Product](#)

Illustration



Product may differ from Image

Approvals

The information in this brochure has been compiled with the utmost care.

Liability for the correctness completeness and topicality of the information is restricted to gross negligence. Version: 10/16

Murrelektronik GmbH | Falkenstraße 3, 71570 Oppenweiler | Fon +49 (71 91) 47-0, Fax +49 (71 91) 47-491000 | shop@murrelektronik.de | shop.murrelektronik.de



Input	
Input voltage	3 × 324...572 V AC/480...745 V DC
Input current	2.3 A (3 × 360 V AC); 1.6 A (3 × 500 V AC)
Inrush current after 1 ms	max. 14 A
Power factor	0.88 (3 × 500 V AC)
Frequency	50...60 Hz
Input fuse (internal)	3 × 6.3 A (T)
General data	
Standards	EN 60950-1, EN 61204-3, EN 55011 B, EN 61000-3-2, SEMI F47
Relative humidity	5...95%, no condensation
Efficiency	93.7% (3 × 400 V AC); 93.5% (3 × 480 V AC)
Mounting method	DIN-rail mountable TH35 (EN 60715)
Dimensions H × W × D	138×109×182 mm
Temperature range	-40...+70 °C, ...+70 °C derating (storage temperature -40...+85 °C)
Output	
Output voltage	24 V DC (SELV), ±1%; 24...28 V adjustable
Power Boost	I _{out} N × 150% (min. 5 s)
Output current	30 A (70 °C); 40 A (60 °C); 48 A (45 °C)
Mains failure bridging time	min. 40 ms (3 × 500 V AC)
Ripple	max. 20 mV _{rms}
Spikes	max. 90 mV p-p
Unit protection	short circuit and overload protected, permanently by 20% (to 45 °C)
LED display	LED (green): OK; LED (red): overload, overheating or short-circuit
Parallel usage/serial usage	max. 3 units
Commercial data	
country of origin	CH
customs tariff number	85044090
EAN	4048879538657
minimum order quantity	1