

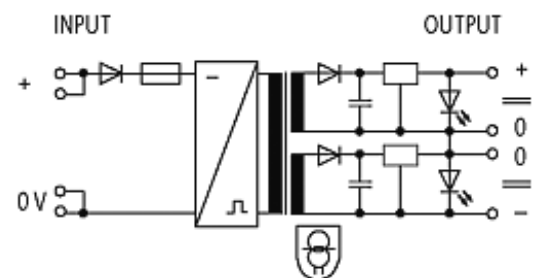
MDD DC/DC-CONVERTOR SWITCH MODE

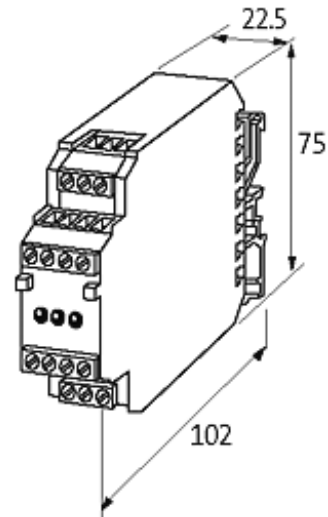
IN: 24VDC OUT: 2x15V/0,25ADC

INPUT: 24 V DC

OUTPUT: ± 15 V DC

Output rating: 7 W

Current: 2 \times 0.25 A[Link to Product](#)**Illustration**

stay connected

Product may differ from Image

Input

| | |
|-----------------------|-----------|
| Input voltage | 24 V DC |
| Input current | 0.85 A |
| Input fuse (internal) | 1.5 A (T) |

General data

| | |
|------------------------|---|
| Standards | EN 61204-3 |
| Test isolation voltage | 4 kV (input/output) |
| Mounting method | DIN-rail mountable TH35 or G32 (EN 60715) |
| Temperature range | 0...+50 °C, no condensation |

Output

| | |
|----------------|---|
| Output current | max. 2 × 250 mA |
| Ripple | max. 0.2 %rms |
| Output fuse | short-circuit and overload protected, restart after overload by removing power supply |
| Output voltage | ±15 V DC (SELV), ±5 % |

Commercial data

| | |
|------------------------|----------|
| country of origin | CZ |
| customs tariff number | 85043121 |
| minimum order quantity | 1 |