

MCS-B Power supply 1-phase, primary switched IN: 90-265VAC OUT: 24V/1,3ADC

INPUT: 90...265 V AC
 OUTPUT: 24 V DC +3/-1%
 Current: 1.3 A

Image

- stable output voltage, (short-circuit and overload protected)
- Wide voltage input
- Protection IP20

Vicarious picture

Input

Input voltage	90...265 V AC; 110...300 V DC
Input current	0.65 A (100 V AC); 0.37 A (230 V AC)
Inrush current after 1 ms	max. 20 A
External fuse	max. 10 A
Frequency	50/60 Hz

Output

Output voltage	24 V DC (SELV), $\pm 1\%$; 22...28 V adjustable
Output current	1.3 A (+60 °C, U_{in} min.170 V AC)
Mains failure bridging time	min. 15 ms (100 V AC); min. 100 ms (230 V AC)
Ripple	max. 50 mV rms
Spikes	max. 120 mV p-p
Short-circuit and overload protection	yes
LED display	LED (green) for output voltage
Parallel usage/serial usage	max. 5 units/max. 2 units

General data

Standards	(EN 60950-1), (EN 61204-3), (EN 55022 B), (EN 61000-3-2)
Relative humidity	5...95 %, no condensation
Efficiency	82 %
Temperature range	0...+40 °C, to +70 °C derating (storage temperature -25...+85 °C)
Mounting method	DIN-rail mountable TH35 (EN 60715)
Dimensions H x W x D x Da	76 x 38 x 80 x 7.5 mm

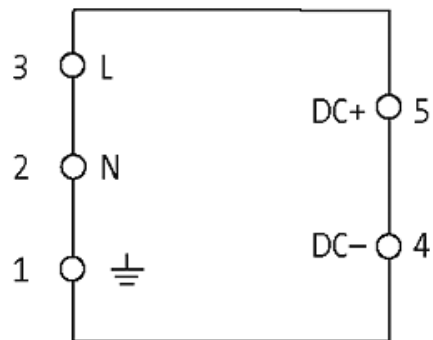
Commercial data

Net weight	150
Weight unit	Gram
Basic unit	pc.
Customs tariff number	85044090
Unit (piece)	1
Minimum order quantity (piece)	1

Functions

PFC	
Low interference emission	

Circuit diagram



Dimension drawing

