

MCS Power supply 1-phase, primary switched IN: 185-265VAC OUT: 24-28V/10ADC

INPUT: 185...265 V AC

OUTPUT: 24...28 V DC

Current: 10 A

Image

- Single-phase, primary switched
- stable output voltage, (short-circuit and overload protected)
- Protection IP20

Vicarious picture

Input

Input voltage	185...265 V AC
Input current	2.1 A (230 V AC)
Inrush current after 1 ms	max. 25 A
External fuse	max. 10 A
Frequency	50...60 Hz

Output

Output voltage	24 V DC (SELV), $\pm 1\%$; 24...28 V adjustable
Output current	10 A (+60 °C); 12 A (+40 °C)
Mains failure bridging time	max. 13 A (230 V AC)
Ripple	max. 20 mV rms
Spikes	max. 200 mV p-p
Short-circuit and overload protection	yes
LED display	LED (green) for output voltage
Selectable switch-off mode	front sided plug link (automatic re-start or definite shut-off)
Parallel usage/serial usage	yes/yes

General data

Standards	(EN 60950-1), (EN 61204-3), (EN 55022 B)
Mounting method	DIN-rail mountable TH35 (EN 60715)
Efficiency	90 %
Relative humidity	5...95 %, no condensation
Temperature range	0...+60 °C (storage temperature -25...+85 °C)
Dimensions H x W x D	127 x 68 x 160 mm

Commercial data

Net weight	1150
Weight unit	Gram
Basic unit	pc.
Customs tariff number	85044090
Unit (piece)	1
Minimum order quantity (piece)	1

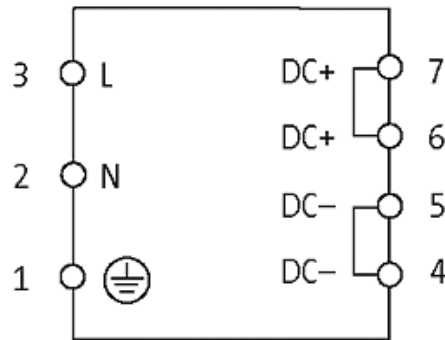
Accessories

Accessory for MCS Plate for screw mounting	Art.-No. 89514
--	--------------------------

All data on this data sheet was compiled carefully.

Liability regarding correctness, completeness, and actuality is limited to gross negligence. Created: 06/14

Circuit diagram



Dimension drawing

