

## MPS POWER SUPPLY 1-PHASE,

IN: 185-265VAC OUT: 22-28V/20ADC

INPUT: 185...265 V AC

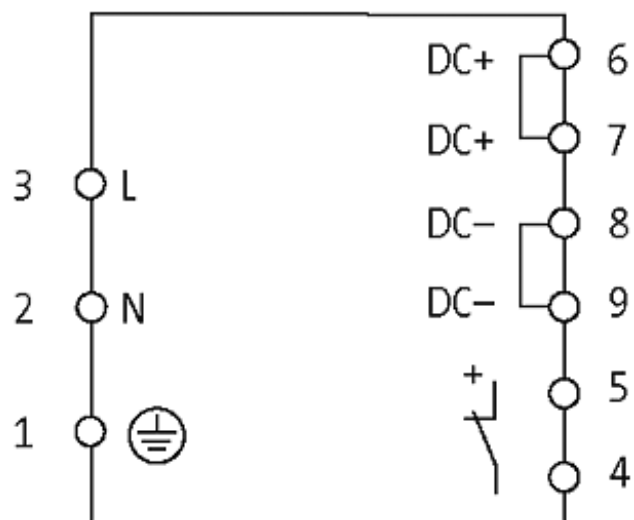
OUTPUT: 22...28 V DC

Current: 20 A

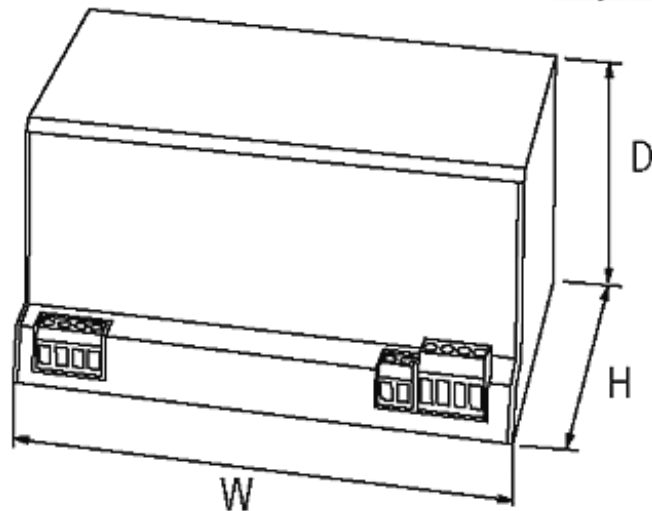
Single-phase, primary switched Protection IP20 Units decoupling through diode block at parallel usage.

### [Link to Product](#)

#### Illustration



stay connected



Product may differ from Image

### Approvals



### Input

Input voltage	185...265 V AC
Primary fusing external	max. 16 A
Frequency	50...60 Hz
Input current	4 A

### General data

Standards	EN 60950-1, EN 61204-3, EN 55022 B
Mounting method	DIN-rail mountable TH35 (EN 60715), additional plate for screw mounting Art.-No. 89500
Efficiency	90 %
Relative humidity	5...95 %, no condensation
Dimensions H x W x D	132x243x123 mm
Temperature range	0...+60 °C (storage temperature -25...+85 °C)

### Output

Output voltage	24 V DC (SELV), $\pm 1$ %; 22...28 V adjustable
Output current	20 A (+60 °C); 24 A (+40 °C)
Mains failure bridging time	min. 10 ms (230 V AC)
Ripple	max. 20 mVrms
Spikes	max. 100 mV p-p
Unit protection	short-circuit and overload protected
LED display	LED (green): in operation; LED (red): off; LED (yellow): pre-warning when overheated or overloaded
Parallel usage/serial usage	yes/yes

Alarm output

electronic relay max. 60 V DC/0.2 A, group alarm for all failures and pre-warnings, reset via the green button

**Commercial data**

country of origin	CZ
customs tariff number	85044090
EAN	4048879080699
eClass	27049002
minimum order quantity	1