

EVOLUTION POWER SUPPLY 3-PHASE,

IN: 360-520VAC OUT: 22-28V/40ADC

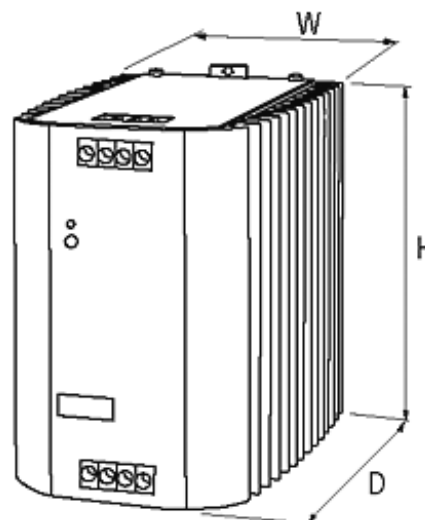
INPUT: 3×360...520 V AC/480...745 V DC

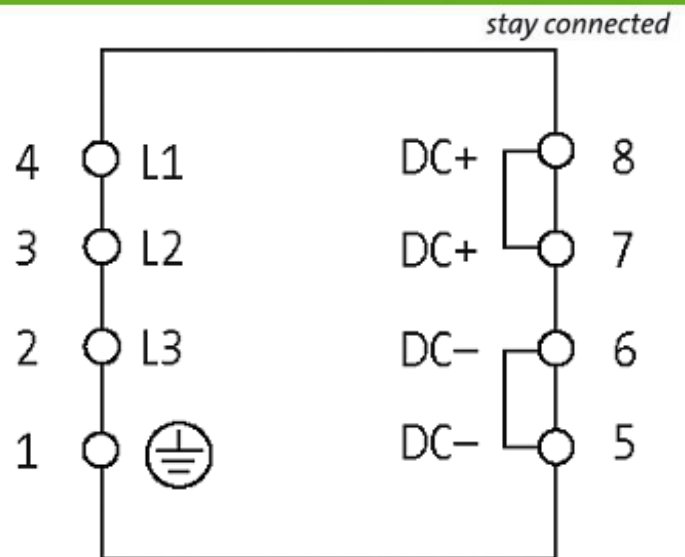
OUTPUT: 24 V DC ± 1%

Current: 40 A

[Link to Product](#)

Illustration





Product may differ from Image

Approvals

cULus

GL

General data

Standards	(EN 60950-1), (EN 61204-3), (EN 55011 A)
Relative humidity	5...95 %, no condensation
Efficiency	90 %
Mounting method	DIN-rail mountable TH35 (EN 60715)
Dimensions H x W x D	132x164x142
Protection	IP20
Temperature range	-25...+70 °C (storage temperature -40...+85 °C)

Input

Input voltage	3 x 324...572 V AC/480...745 V DC
Input current	3 x 2.4 A
Primary fusing external	max. 3 x 20 A
Frequency	50...60 Hz

Output

Output voltage	24 V DC (SELV), ±1 %; 22...28 V adjustable
Output current	40 A (+55 °C); 30 A (+70 °C)
Power Boost	+150 % (min. 4 sec.)
Mains failure bridging time	min. 19 ms (400 V AC)
Ripple	max. 50 mVrms
Unit protection	short-circuit and overload protected
Spikes	max. 100 mV p-p
LED display	LED (green): OK; LED (red): overload
Parallel usage/serial usage	max. 5 units/max. 2 units

Commercial data

The information in this brochure has been compiled with the utmost care.

Liability for the correctness completeness and topicality of the information is restricted to gross negligence. Version: 09/14

Murrelektronik GmbH | Falkenstraße 3, 71570 Oppenweiler | Fon +49 (71 91) 47-0, Fax +49 (71 91) 47-491000 | shop@murrelektronik.de | shop.murrelektronik.de

country of origin	CZ
customs tariff number	85044090
minimum order quantity	1