

MOSA M12 FEMALE 90° FIELD-WIREABLE (IDC) V2A4-pol. 0.25...0.5mm²

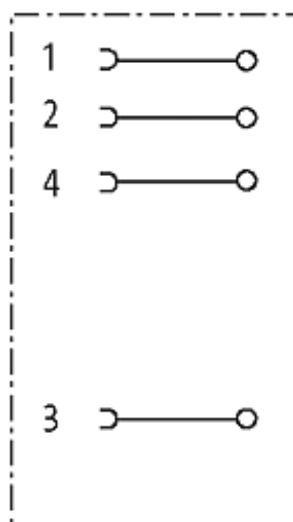
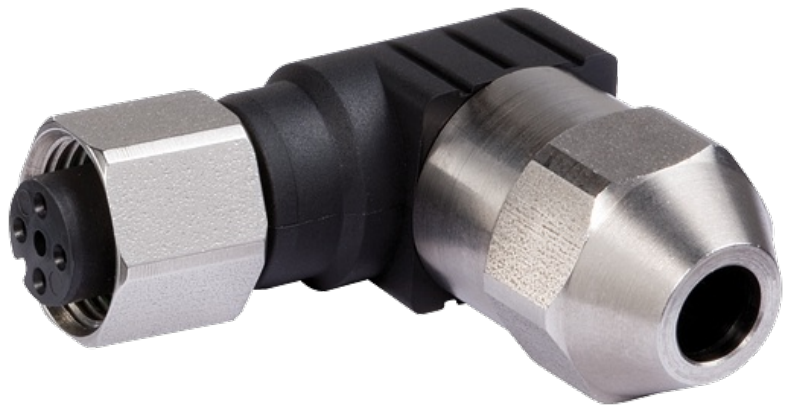
Female 90°, 4-pole

Insulation displacement technology

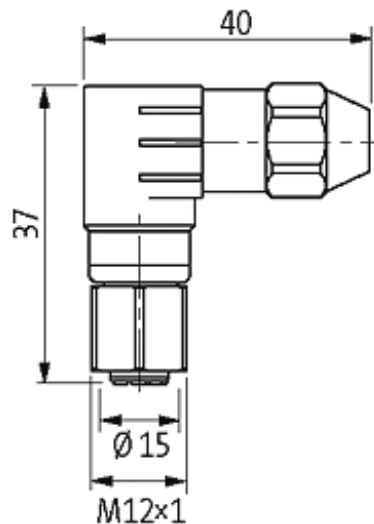
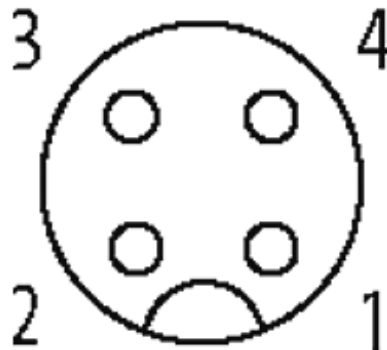
Connection cross section: 0.25...0.5 mm²

V2A nut/screw

Plastic housings with good resistance against chemicals and oils. The resistance to aggressive media should be individually tested for your application. Further details on request.

[Link to Product](#)**Illustration**

Female



Product may differ from Image

Form

Form 12681

General data

Temperature range -25...+85 °C

Technical Data

Operating voltage	max. 32 V AC/DC
Operating current per contact	max. 4 A
Connection cross section	0.25...0.5 mm ² (conductor diameter min. 0.1 mm)
Sealing range (cable Ø)	4...5.1 mm
Wire isolation	PVC, PP, TPE
Outer wire Ø	1.2...1.6 mm
Locking of ports	Screw thread M12 × 1 mm (recommended torque 0.6 Nm) self-securing
Protection	IP67 inserted and tightened (EN 60529)
Locking material	Stainless Steel 1.4305 (V2A)

Commercial data

country of origin	DE
customs tariff number	85369010
EAN	4048879112086
minimum order quantity	1