

M8 ADAPTOR ON REAR OF MSUD VALVE PLUG FORM A 18MM

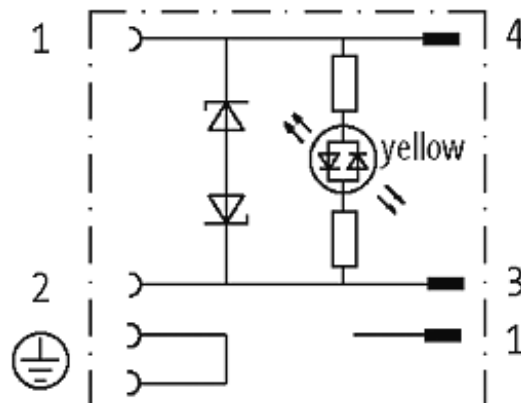
LED 24 V AC/DC

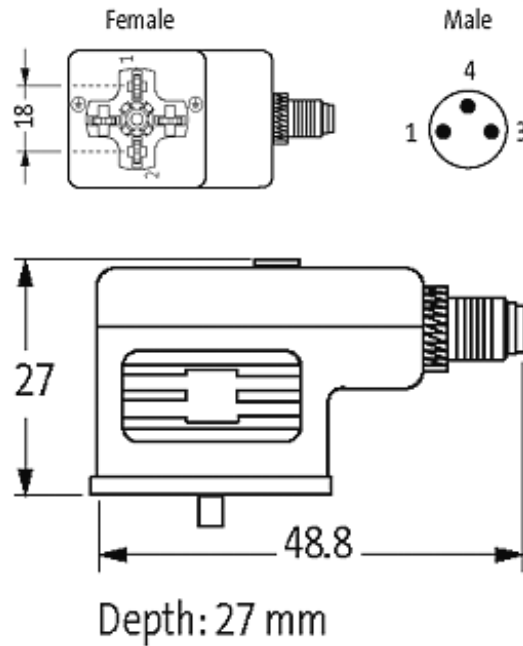
Form A (18 mm) – M8, connector at the rear
 24 V AC/DC $\pm 25\%$
 LED
 3-pole

Plastic housings with good resistance against chemicals and oils. The resistance to aggressive media should be individually tested for your application. Further details on request.

[Link to Product](#)

Illustration



stay connected

Product may differ from Image

Approvals



Form

Form 88913

Technical Data

Operating voltage	24 V AC/DC $\pm 25\%$
Operating current per contact	max. 4 A
Configuration	2 contacts + bridged PE
Protection	IP67 inserted and tightened (EN 60529)
Locking of ports	M3/M8 (recommended torque 0.4 Nm)
Rated surge voltage	0.8 kV

General data

Temperature range -25...+85 °C

Commercial data

country of origin	CZ
customs tariff number	85369010
EAN	4048879115988
eClass	27143423
minimum order quantity	1