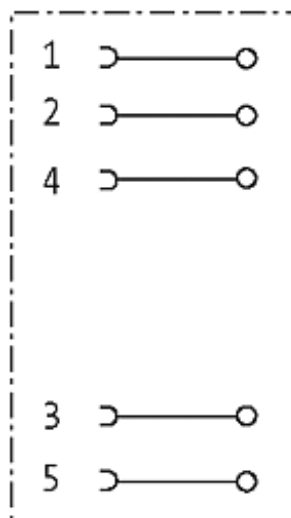


**7/8" FEMALE 90° FIELD-WIREABLE SCREW**

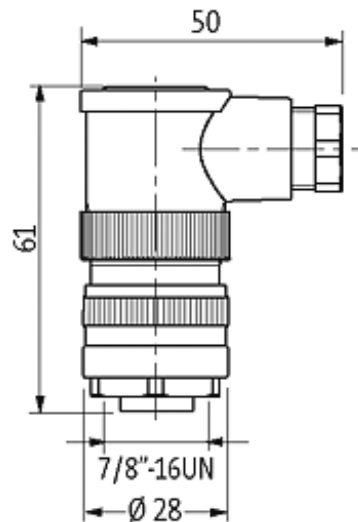
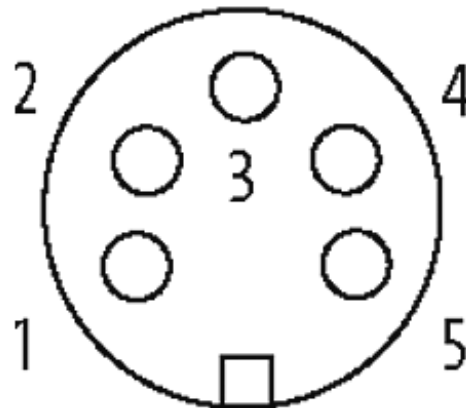
5-pol. clamp section 6-8,7mm

Female 90°  
5-pole  
Screw terminals

Plastic housings with good resistance against chemicals and oils. The resistance to aggressive media should be individually tested for your application. Further details on request.

[Link to Product](#)**Illustration**

## Female



Product may differ from Image

### Approvals



### Form

Form 78261

### General data

Temperature range -25...+85 °C

### Technical Data

Operating voltage max. 250 V AC/DC

Operating current per contact max. 9 A

Connection cross section max. 1.5 mm<sup>2</sup>

Sealing range (cable Ø) 6...8 mm

Locking of ports Screw thread 7/8" (recommended torque 1.5 Nm) self-securing

---

Protection	IP67 inserted and tightened (EN 60529)
------------	--

**Commercial data**

---

country of origin	DE
-------------------	----

---

customs tariff number	85366990
-----------------------	----------

---

EAN	4048879134705
-----	---------------

---

eClass	27279221
--------	----------

---

minimum order quantity	1
------------------------	---