

**M12 male 90° / M12 female 0°**

PUR 8x0.25 gy UL/CSA+drag chain 2m

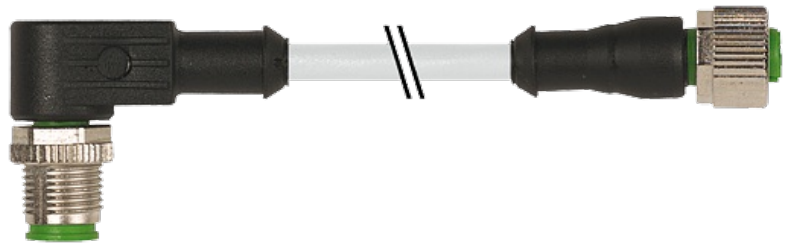
Male 90° - female straight

M12 - M12, 8-pole

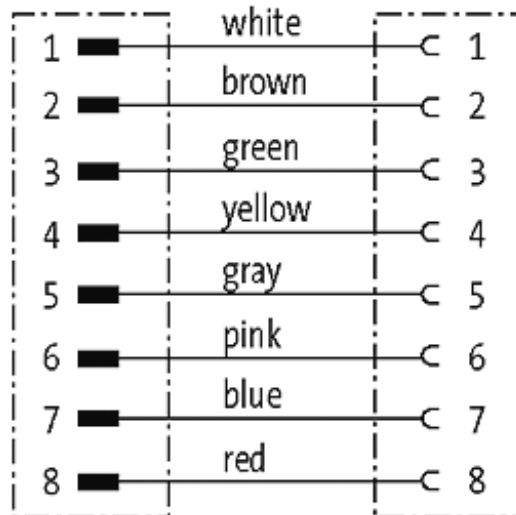
with cable sleeves

Art.-No. 7005 - M12 Lite - (plastic hexagonal screw) on request

Plastic housings with good resistance against chemicals and oils. The resistance to aggressive media should be individually tested for your application. Further details on request. Further cable lengths on request.

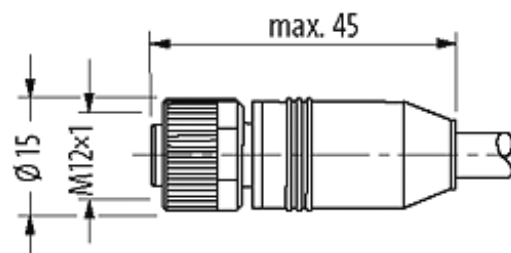
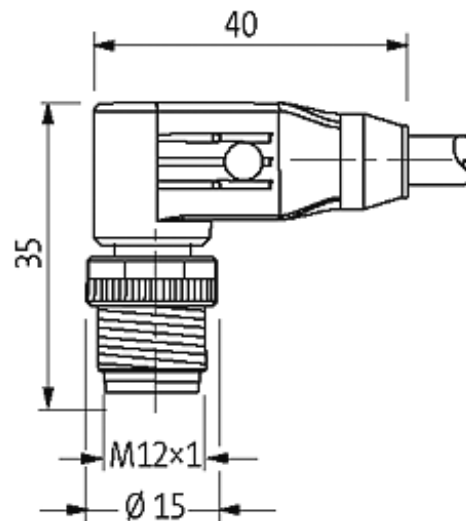
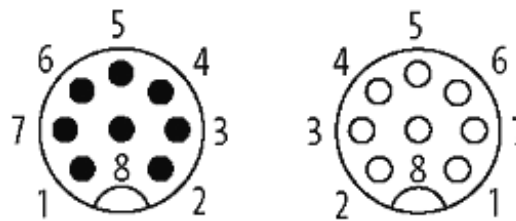
[Link to Product](#)**Illustration**

1	■	brown	—	■	C 1
2	■	white	—	■	C 2
3	■	blue	—	■	C 3
4	■	black	—	■	C 4
5	■	gray	—	■	C 5
6	■	pink	—	■	C 6
7	■	violet	—	■	C 7
8	■	orange	—	■	C 8



Male

Female



Product may differ from Image

### Approvals

The information in this brochure has been compiled with the utmost care.  
Liability for the correctness completeness and topicality of the information is restricted to gross negligence. Version: 10/16



\* only for products with UL/CSA approved cable

### Form

Form 48031

### Cables

Cable number	295
No./diameter of wires	8 × 0.25 mm <sup>2</sup>
Wire isolation	PP (br, wh, bl, bk, gr, pk, vi, or)
C-track properties	2 Mio. ±180°/m
Jacket Color	gray
Material (jacket)	PUR (UL/CSA)
Outer Ø	approx. 6.0 mm
Bend radius (fixed)	7.5 × outer Ø
Bend radius (moving)	10 × outer Ø
Temperature range (fixed)	-25...+80 °C
Temperature range (mobile)	-20...+80 °C

### General data

Standards	DIN EN 61076-2-101
Pollution Degree	3
Temperature range	-25...+85 °C, depending on cable quality

### Technical Data

Operating voltage	30 V AC/DC
Operating voltage (only UL listed)	30 V AC/DC 0.8 kV
Operating current per contact	max. 2 A
Material group	IEC 60664-1, category I
Coding	M12, A-coded
Locking of ports	Screw thread M12 × 1 mm (recommended torque 0.6 Nm) self-securing
Compression gland	M12 (SW13)
Protection	IP65, IP66K, IP67
Locking material	Zinc die casting, matte nickel plated
Material	PUR

### Commercial data

country of origin	DE
customs tariff number	85444290
EAN	4048879332903

eClass	27061801
minimum order quantity	1