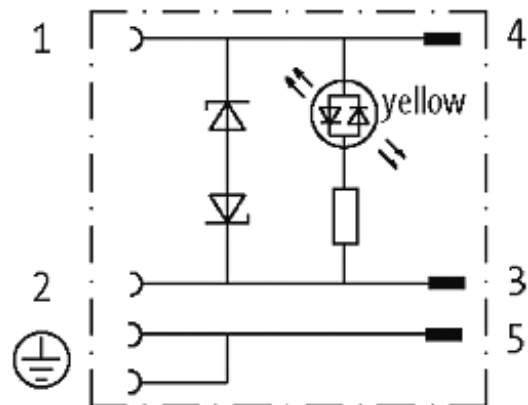


M12 ADAPTOR ON REAR OF MSUD VALVE PLUG FORM A 18MM

Form A (18 mm) – M12, connector at the rear
LED and suppression
3-pole

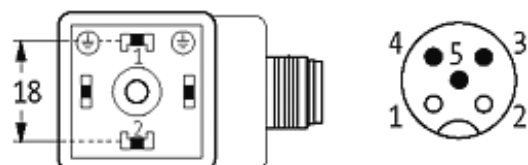
[Link to Product](#)

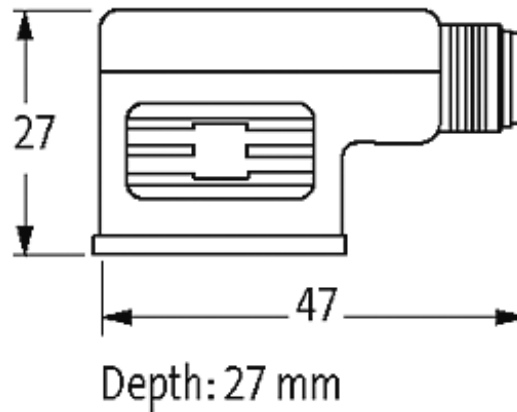
Illustration



Female

Male



stay connected

Product may differ from Image

Approvals



Form

Form 41421

Technical Data

Operating voltage	24 V AC $\pm 20\%$ / DC $\pm 25\%$
Operating current per contact	max. 4 A
Switch off peak	max. 55 V
Locking of ports	M3 (recommended torque 0.4 Nm)
Protection	IP67 inserted and tightened (EN 60529)

General data

Temperature range -25...+85 °C

Commercial data

country of origin	CZ
customs tariff number	85369010
minimum order quantity	1