

T-coupler M12 male / M12 female straight Replaced Art.-No. 13881

T-coupler M12 ? M12
5-pole
Parallel circuit

Image

Vicarious picture

Form

41141

Technical Data

Operating voltage	max. 60 V AC/DC
Operating current per contact	max. 4 A
Locking of ports	Screw thread M12 × 1 mm (recommended torque 0.6 Nm) self-securing
Protection	IP65 and IP67 when plugged and screwed down (EN 60529)
Temperature range	-25...+85 °C

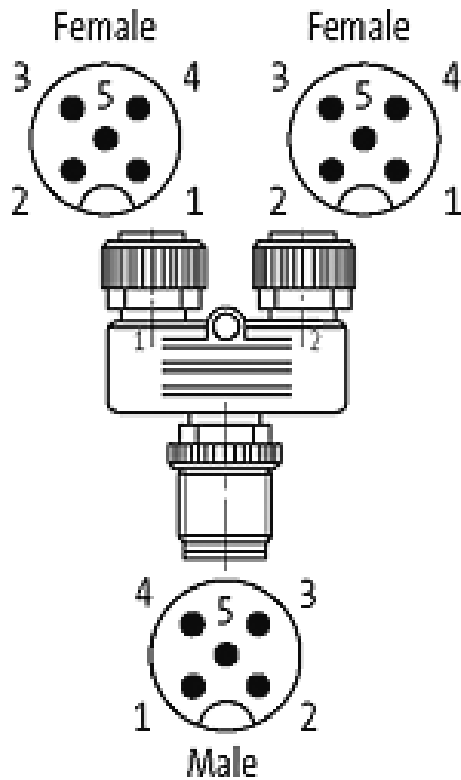
Commercial data

Net weight	28
Weight unit	Gram
Basic unit	pc.
Customs tariff number	85369010
Unit (piece)	1
Minimum order quantity (piece)	1

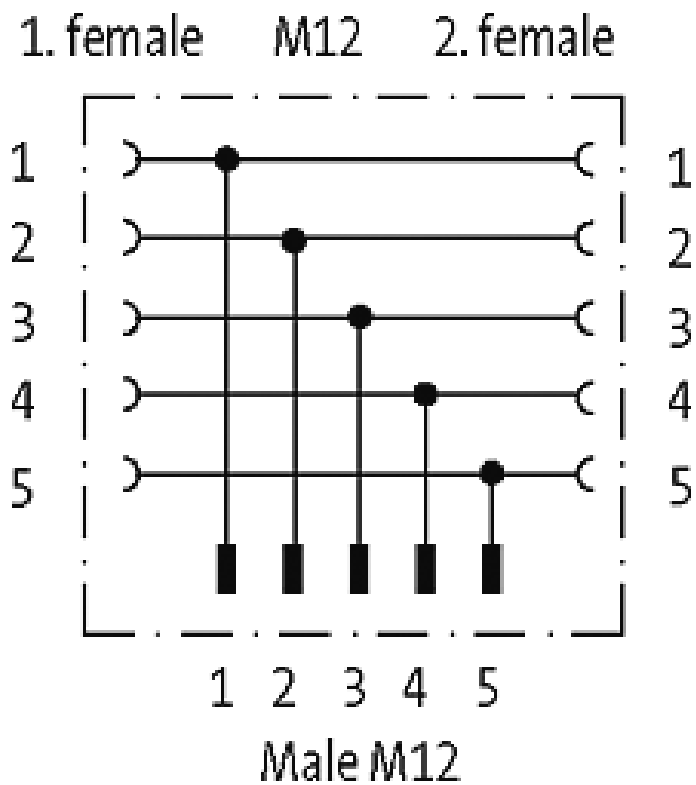
Comments

Plastic housings with good resistance against chemicals and oils.
The resistance to aggressive media should be individually tested for your application. Further details on request.

Contact layout



Circuit diagram



Dimension drawing

