

M12 male 0° / M8 female 90° LED

PUR 3x0.25 bk UL/CSA+robot+drag chain 5m

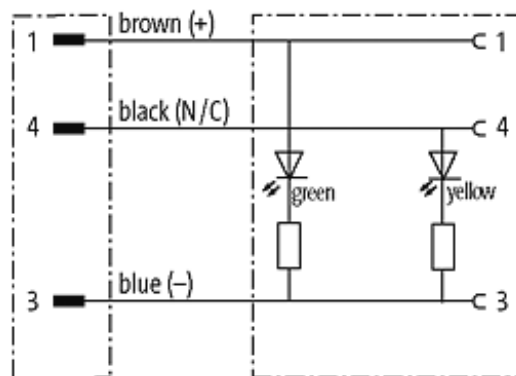
Male straight to female 90°

M12 - M8, 3-pole

2 × LED (PNP), (NPN) on request

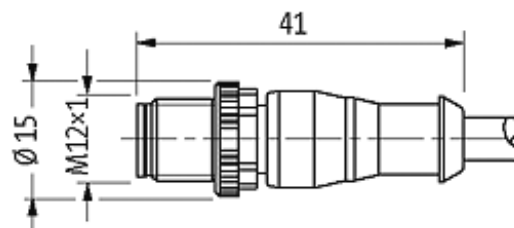
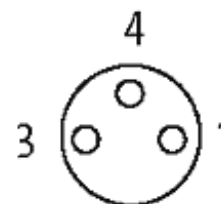
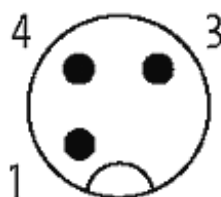
[Link to Product](#)

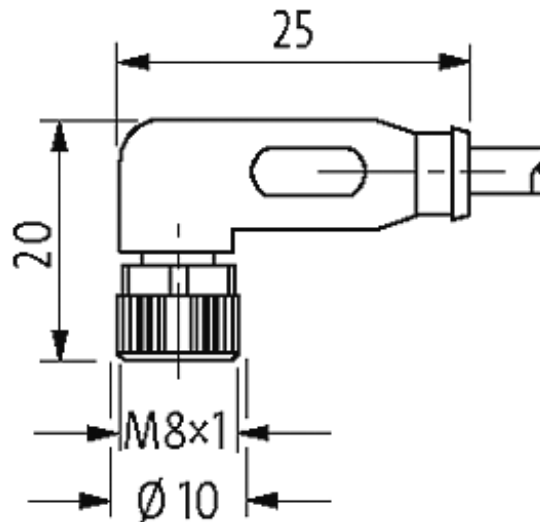
Illustration



Male

Female





Product may differ from Image

Approvals



* only for products with UL/CSA approved cable

Form

Form 40641

Cables

| | |
|-----------------------------|----------------------------------|
| Cable number | 650 |
| No./diameter of wires | 3 × 0.25 mm ² |
| Wire isolation | PP (br, bl, bk) |
| C-track properties | 10 Mio. |
| Torsion | 1 Mio. ± 360°/m |
| Jacket Color | black |
| Shore hardness outer jacket | 58 ± 3D |
| Material (jacket) | PUR (UL/CSA), welding spark res. |
| Outer Ø | approx. 4.3 mm |
| Bend radius (fixed) | 5 × outer Ø |
| Bend radius (moving) | 10 × outer Ø |
| Temperature range (fixed) | -40...+90 °C |
| Temperature range (mobile) | -25...+90 °C |

General data

Temperature range -25...+85 °C, depending on cable quality

Technical Data

Operating voltage 24 V DC ±25 %

| | |
|-------------------------------|---|
| Operating current per contact | max. 4 A |
| Locking of ports | Screw thread M8/M12 × 1 mm (recommended torque 0.4/0.6 Nm), self-securing |
| Protection | IP66K, IP67 inserted and tightened (EN 60529) |

Commercial data

| | |
|------------------------|----------|
| country of origin | DE |
| customs tariff number | 85444290 |
| minimum order quantity | 1 |