

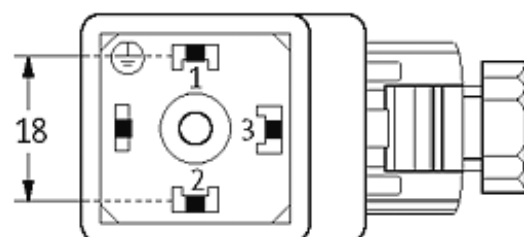
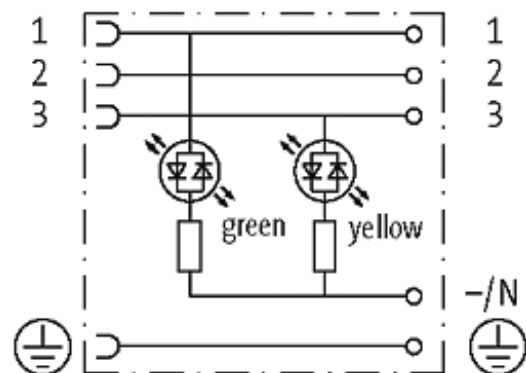
SVS VALVE PLUG FORM A 18MM FIELD-WIREABLE

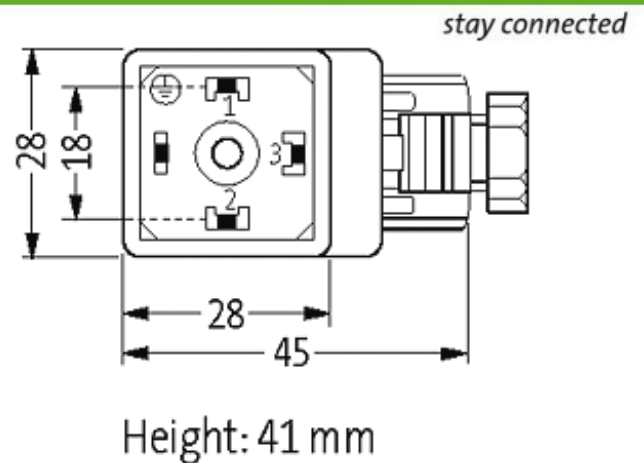
24V LED PG9

Form A (18 mm) for pressure switch
 24 V AC/DC
 LED green (1) yellow (3)
 PG9 (SW19)

[Link to Product](#)

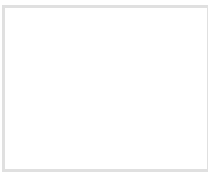
Illustration





Product may differ from Image

Approvals



Form

Form 29461

General data

Temperature range -20...+60 °C

Technical Data

Operating voltage 24 V AC/DC ±25 %

Operating current per contact max. 4 A

Sealing range (cable Ø) 6...8 mm

Locking of ports M3 (recommended torque 0.4 Nm)

Compression gland PG9; (PG11, NPT 1/2" on request)

Protection IP65 inserted and tightened (EN 60529), with gland

Commercial data

country of origin CZ

customs tariff number 85366990

minimum order quantity 1