

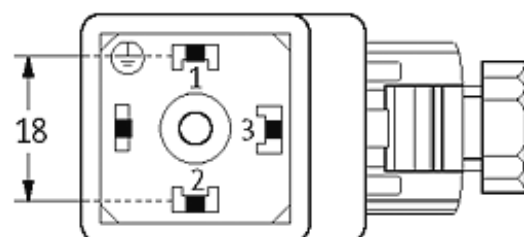
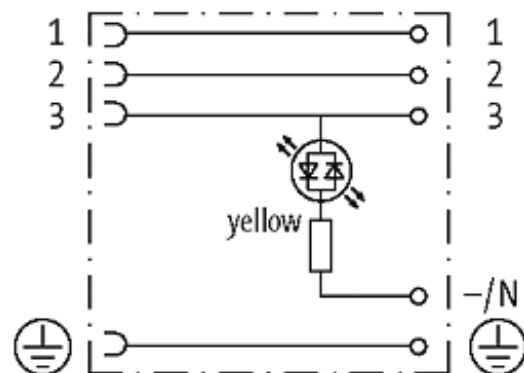
SVS VALVE PLUG FORM A 18MM FIELD-WIREABLE

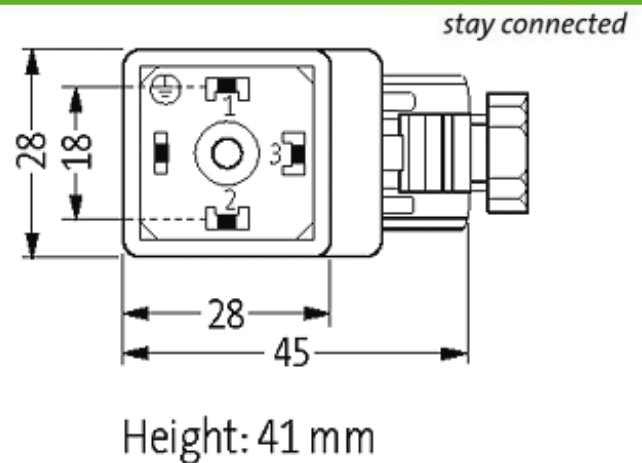
24...230V LED PG9

Form A (18 mm) for pressure switch
 24...230 V AC/DC
 LED yellow (3)
 PG 9

[Link to Product](#)

Illustration





Product may differ from Image

Approvals



Form

Form 29381

Technical Data

Operating voltage	24...230 V AC/DC
Operating current per contact	max. 4 A
Sealing range (cable diameter)	6...8 mm
Locking of ports	M3 (recommended torque 0.4 Nm)
Compression gland	PG 9; (PG11, NPT 1/2" on request)
Protection	IP65 inserted and tightened (EN 60529), with gland

General data

Temperature range -20...+60 °C

Commercial data

country of origin	CZ
customs tariff number	85369010
minimum order quantity	1