

SVS VALVE PLUG FORM A 18MM FIELD-WIREABLE

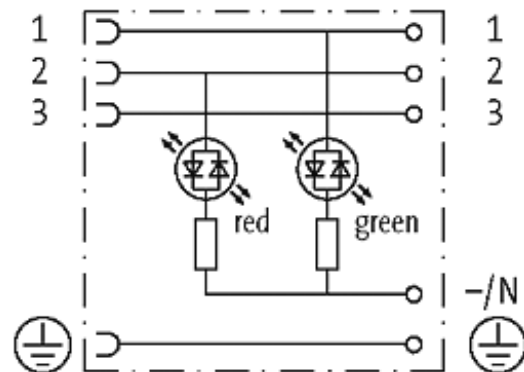
24...230V LED PG9

Form A (18 mm) for pressure switch
 24...230 V AC/DC
 LED red (2) green (1)
 PG9 (SW19)

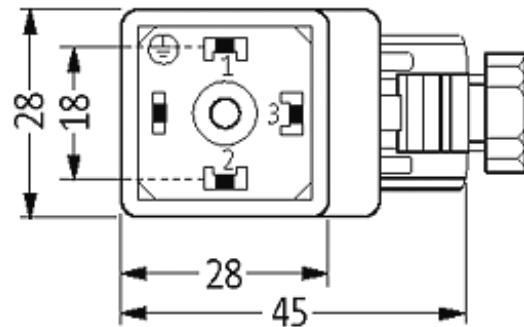
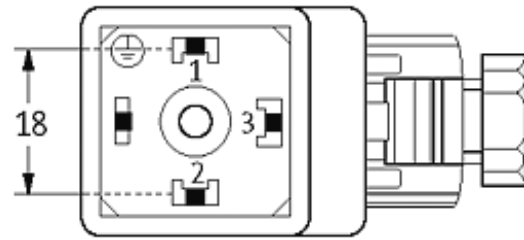
Plastic housings with good resistance against chemicals and oils. The resistance to aggressive media should be individually tested for your application. Further details on request.

[Link to Product](#)

Illustration



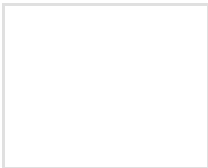
stay connected



Height: 41 mm

Product may differ from Image

Approvals



Form

Form 29341

General data

Temperature range -20...+60 °C

Technical Data

Operating voltage	24...230 V AC/DC
LED display	red (2) green (1)
Current consumption	24 V: approx. 40 mA; 110 V: approx. 3 mA; 230 V: approx. 6 mA
Operating current per contact	max. 4 A
Compression gland	PG9; (PG11, NPT 1/2" on request)
Sealing range (cable Ø)	6...8 mm
Plug color	Black housing, transparent flip top
Protection	IP65 inserted and tightened (EN 60529), with gland
Locking of ports	M3 (recommended torque 0.4 Nm)
Connection cross section	4 mm ² single core, with ferrule end 1.5 mm ²

Commercial data

country of origin	CZ
customs tariff number	85366990

EAN	4048879187473
eClass	27143423
minimum order quantity	1
