

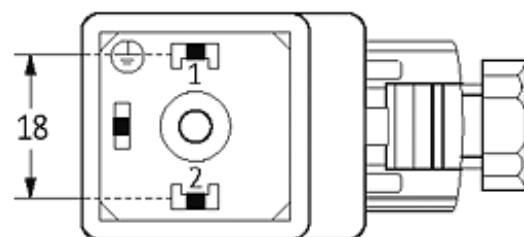
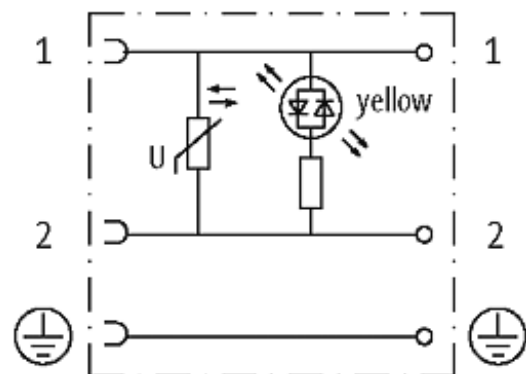
SVS VALVE PLUG FORM A 18MM FIELD-WIREABLE

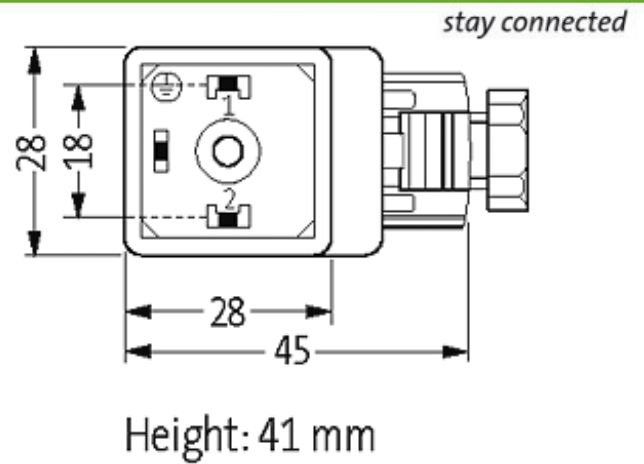
110V LED+VDR PG9

Form A (18 mm)
110 V AC/DC with LED and VDR
PG9 (SW19)

[Link to Product](#)

Illustration





Product may differ from Image

Approvals



Form

Form 29101

General data

Temperature range -20...+60 °C

Technical Data

Operating voltage 110 V AC/DC (95...121 V AC/DC)

Operating current per contact max. 4 A

Switch off peak max. 250 V

Max. power (W) max. 100 W(VA)

Connection cross section 4 mm² single core, with ferrule end 1.5 mm²

Sealing range (cable Ø) 6...8 mm

Locking of ports M3 (recommended torque 0.4 Nm)

Compression gland PG9; (PG11, NPT 1/2" on request)

Protection IP65 inserted and tightened (EN 60529), with gland

Commercial data

country of origin CZ

customs tariff number 85369010

minimum order quantity 1