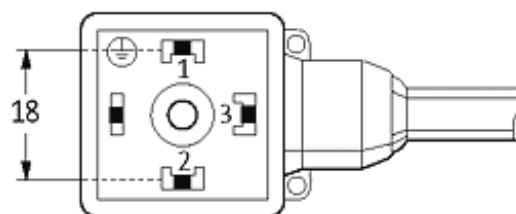
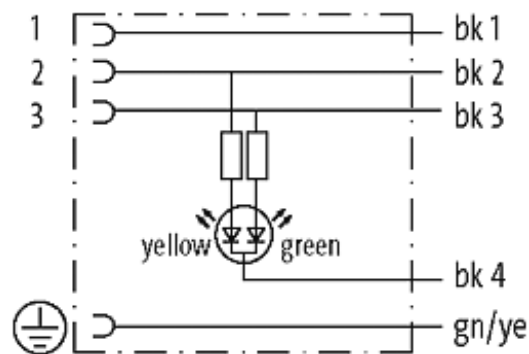


MSUD VALVE PLUG FORM A 18MM

PUR 5X0.75 black 3m

Form A (18 mm) for pressure switch
24 V DC with LED (yellow/green)[Link to Product](#)**Illustration**



Product may differ from Image

Approvals



Form

Form 18141

Technical Data

Operating voltage	24 V DC $\pm 25\%$
Operating current per contact	max. 4 A
Locking of ports	M3 (recommended torque 0.4 Nm)
Housing	Black plastic (gray on request)
Protection	IP66K, IP67 inserted and tightened (EN 60529)

Cables

Cable number	628
No./diameter of wires	5 \times 0.75 mm ²
Wire isolation	PVC (bk num, gnye)
C-track properties	2 Mio.
Jacket Color	black
Shore hardness outer jacket	85 \pm 5A
Material (jacket)	PUR/PVC (UL/CSA)
Outer \varnothing	approx. 7.0 mm
Bend radius (fixed)	10 \times outer \varnothing
Bend radius (moving)	15 \times outer \varnothing
Temperature range (fixed)	-30...+80 °C
Temperature range (mobile)	-5...+80 °C

General data

Temperature range -25...+85 °C, depending on cable quality

Commercial data

country of origin CZ

customs tariff number	85444290
minimum order quantity	1
