

## MSUD VALVE PLUG FORM A 18MM

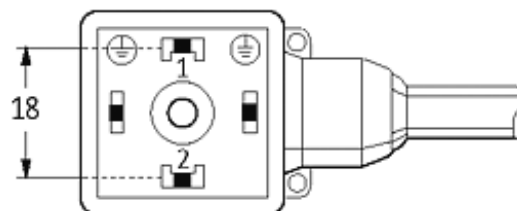
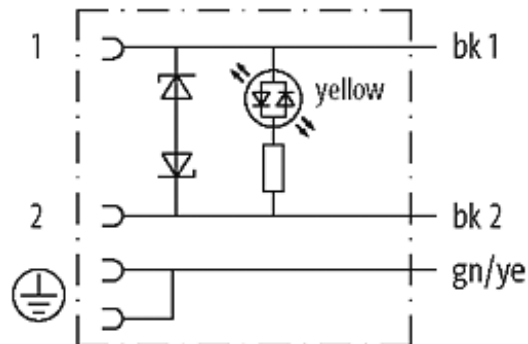
PVC 3X0.75 GRAY, 5m

Form A (18 mm)

24 V AC/DC with LED and suppression

### [Link to Product](#)

#### Illustration





Product may differ from Image

### Approvals



### Form

Form 18021

### Technical Data

Operating voltage	24 V AC/DC $\pm 25\%$
Operating current per contact	max. 4 A
Switch off peak	max. 55 V
Switch off delay time	max. 20 ms
Locking of ports	M3 (recommended torque 0.4 Nm)
Housing	Black plastic (gray on request)
Protection	IP66K, IP67 inserted and tightened (EN 60529)

### Cables

Cable number	216
No./diameter of wires	3 $\times$ 0.75 mm <sup>2</sup>
Wire isolation	PVC (bk num, gnye)
Jacket Color	gray
Shore hardness outer jacket	80 $\pm$ 5A
Material (jacket)	PVC
Outer $\varnothing$	approx. 5.9 mm
Bend radius (fixed)	5 $\times$ outer $\varnothing$
Bend radius (moving)	10 $\times$ outer $\varnothing$
Temperature range (fixed)	-30...+70 °C
Temperature range (mobile)	-5...+70 °C

### General data

Temperature range -25...+85 °C, depending on cable quality

### Commercial data

country of origin	CZ
customs tariff number	85444290
minimum order quantity	1