

M12 MALE 0° FIELD-WIREABLE SCREW TERM.

8-pol. max.0.5mm² 6-8mm

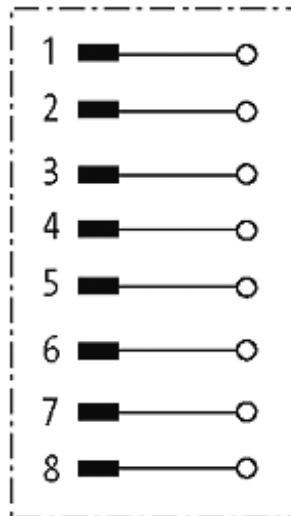
Male straight

8-pole

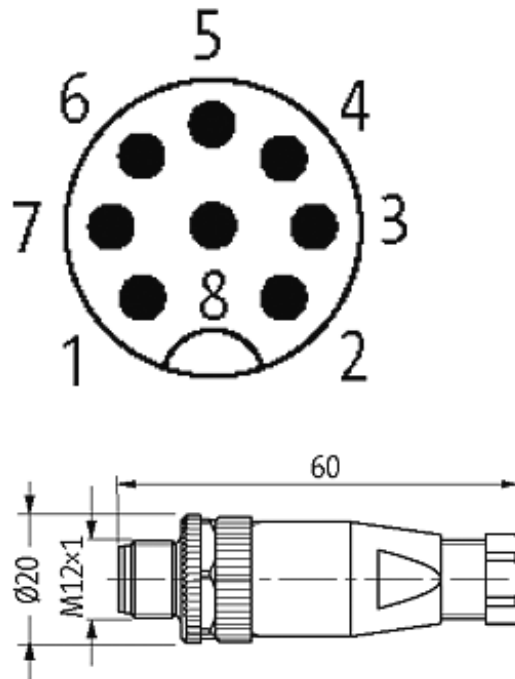
Clamping range cable entry: 6...8 mm

[Link to Product](#)

Illustration



Male



Product may differ from Image

Approvals



Form

Form 17301

Technical Data

Operating voltage	max. 60 V AC/DC
Operating current per contact	max. 2 A
Connection cross section	max. 0.5 mm ²
Sealing range (cable diameter)	6...8 mm
Locking of ports	Screw thread M12 × 1 mm (recommended torque 0.6 Nm) self-securing
Protection	IP65 and IP67 when plugged and screwed down (EN 60529)

General data

Temperature range -25...+85 °C

Commercial data

country of origin	DE
customs tariff number	85369010
minimum order quantity	1

