

**M12 MALE 90° FIELD-WIREABLE SCREW TERM.**4-pol. max.0,75mm<sup>2</sup> 4-6mm

Male 90°

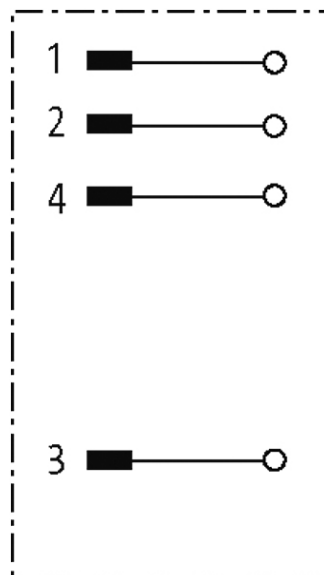
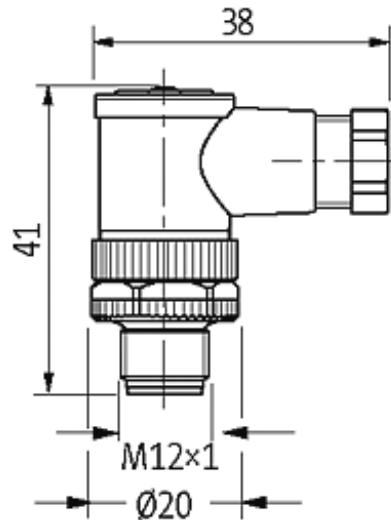
M12, 4-pole

Screw terminals

Sealing range (cable Ø): 4...6 mm

Plastic housings with good resistance against chemicals and oils. The resistance to aggressive media should be individually tested for your application. Further details on request.

[Link to Product](#)**Illustration****Male**



Product may differ from Image

### Approvals



### Form

Form 12821

### Technical Data

Operating voltage	max. 250 V AC/DC
Operating current per contact	max. 4 A
Connection cross section	max. 0.75 mm <sup>2</sup>
Sealing range (cable Ø)	4...6 mm
Locking of ports	Screw thread M12 × 1 mm (recommended torque 0.6 Nm) self-securing

The information in this brochure has been compiled with the utmost care.

Liability for the correctness completeness and topicality of the information is restricted to gross negligence. Version: 11/17

Murrelektronik GmbH | Falkenstraße 3 | 71570 Oppenweiler | Fon +49 (71 91) 47-0 | Fax +49 (71 91) 47-491000 | shop@murrelektronik.de | shop.murrelektronik.de

Protection IP67 inserted and tightened (EN 60529)

**General data**

Temperature range -25...+85 °C

Dimensions H x W x D 41x41x20 mm

**Commercial data**

country of origin DE

customs tariff number 85369010

EAN 4048879201605

eClass 27279221

Packaging unit 1