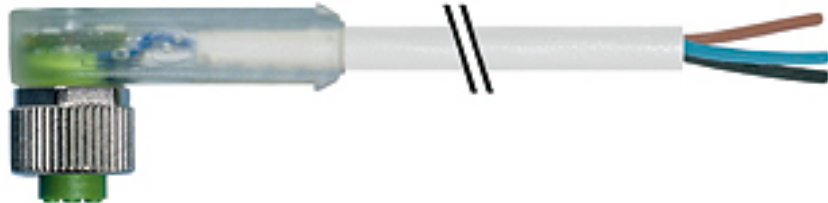


**M12 female 90° with LED and cable PUR-OB 3x0,34 grey drag chain 5m**

Female 90°

3-pole with 2 × LED (PNP)

Art.-No. 7005 - M12 Lite - (plastic hexagonal screw) on request

**Image**

Vicarious picture

**Form**

12381

**Technical Data**

Operating voltage	24 V DC ±25 %
Operating current per contact	max. 4 A
Locking of ports	Screw thread M12 × 1 mm (recommended torque 0.6 Nm) self-securing
Protection	IP65 and IP67 when plugged and screwed down (EN 60529)
Temperature range	-25...+85 °C, depending on cable quality

**Cable**

No./diameter of wires	3 × 0,34 mm <sup>2</sup>
Wire isolation	PP (br, bl, bk)
C-track properties	5 million
Jacket	PUR (UL/CSA)
Outer diameter	approx. 4.3 mm
Bend radius (moving)	10 x outer diameter
Temperature range (fixed)	-40...+80 °C
Temperature range (mobile)	-25...+80 °C

**Commercial data**

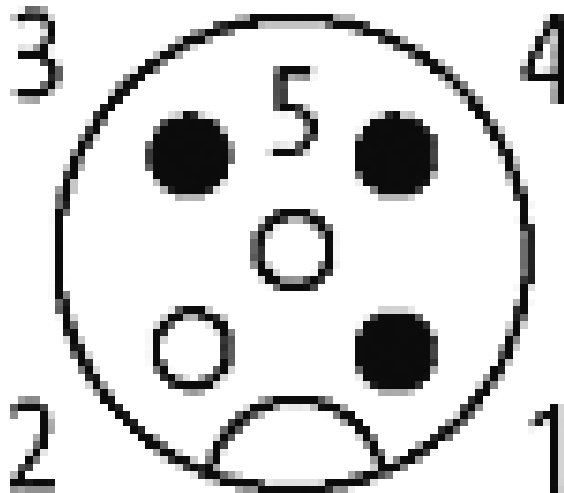
Net weight	167
Weight unit	Gram
Basic unit	pc.
Customs tariff number	85444290
Unit (piece)	1
Minimum order quantity (piece)	1

**Comments**

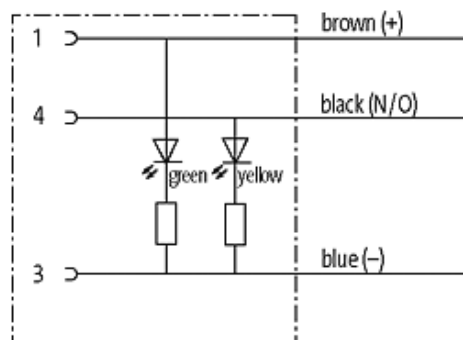
Plastic housings with good resistance against chemicals and oils.  
The resistance to aggressive media should be individually tested for your application. Further details on request.  
Further cable lengths on request.

## Contact layout

# Female



## Circuit diagram



## Dimension drawing

