

## MOSA M8 MALE 0° FIELD WIREABLE (IDC)

4-pol., 0,14-0,34mm<sup>2</sup>

Male straight

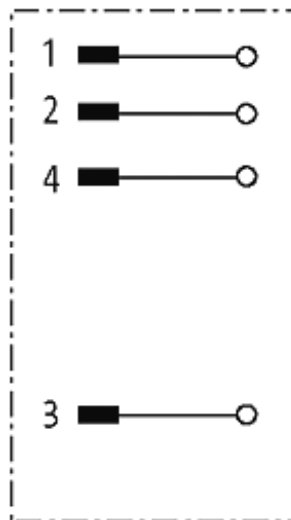
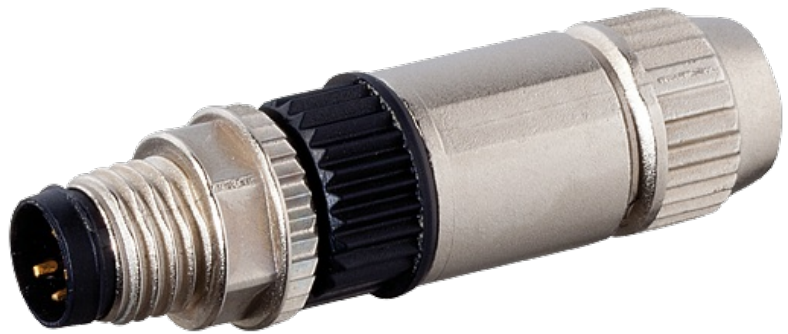
4-pole

Insulation displacement technology

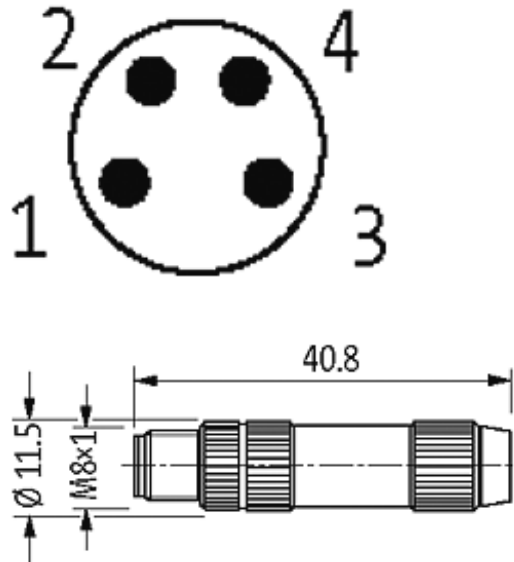
Connection cross section: 0.14...0.34 mm<sup>2</sup>

### [Link to Product](#)

#### Illustration



# Male



Product may differ from Image

## Approvals



## Form

08351

## Technical Data

Operating voltage	max. 32 V AC/DC
Operating current per contact	max. 4 A
Connection cross section	0.14...0.34 mm <sup>2</sup> (conductor diameter min. 0.1 mm)
Sealing range (cable diameter)	2.5...5.1 mm (gasket included)
Wire isolation	PVC, PP, TPE
Outer wire diameter	1.0...1.6 mm
Protection	IP67 inserted and tightened (EN 60529)

## General data

Temperature range	-25...+85 °C
Dimensions H x W x D	40.8x11.5x11.5 mm

## Commercial data

country of origin	DE
customs tariff number	85369010

---

minimum order quantity

1