

M8 FEMALE 90° LED

PUR 3x0.25 GRAY, UL/CSA, ROBOT, drag ch 10m

M8

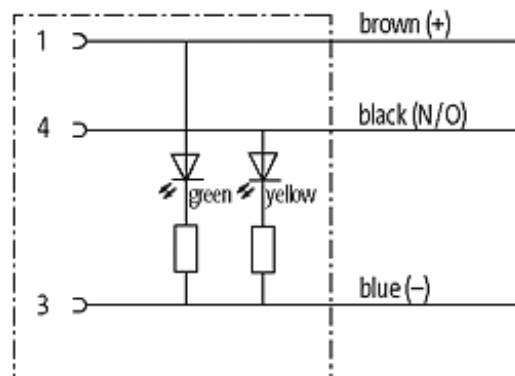
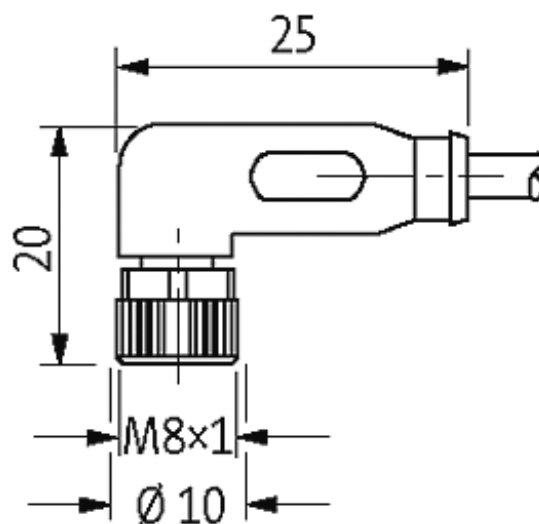
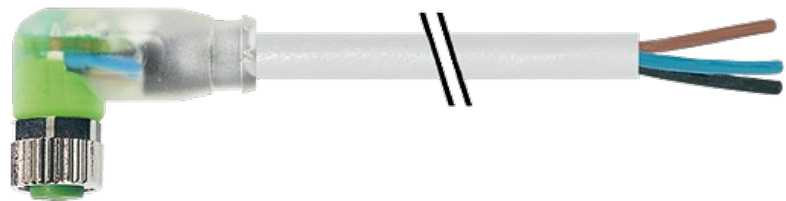
Female 90°

3-pole with 2 × LED (PNP)

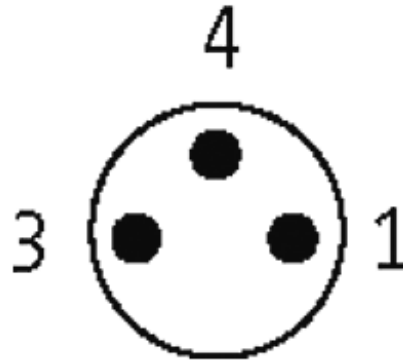
Plastic housings with good resistance against chemicals and oils. The resistance to aggressive media should be individually tested for your application. Further details on request. Further cable lengths on request.

[Link to Product](#)

Illustration



Female



Product may differ from Image

Approvals

cCSAus

GOST

cULus

* only for products with UL/CSA approved cable

Technical Data

Operating voltage	24 V DC $\pm 25\%$
Operating current per contact	max. 4 A
Locking of ports	Screw thread M8 \times 1 mm (recommended torque 0.4 Nm) self-securing
Protection	IP67 inserted and tightened (EN 60529)

Form

08121

General data

Temperature range	-25...+85 °C, depending on cable quality
-------------------	--

Cable

Cable number	250
No./diameter of wires	3 \times 0.25 mm ²
Wire isolation	PP (br, bl, bk)
C-track properties	10 million
Torsion	1 Mio. \pm 360°/m
Jacket Color	gray
Shore hardness outer jacket	58 \pm 3D
Material (jacket)	PUR (UL/CSA), welding spark res.
Outer diameter	approx. 4.3 mm
Bend radius (fixed)	5 \times outer diameter
Bend radius (moving)	10 \times outer diameter
Temperature range (fixed)	-40...+90 °C

Temperature range (mobile) -25...+90 °C

Commercial data

country of origin	DE
customs tariff number	85444290
minimum order quantity	1