

**MKS - D 6/1300 - 1 diode modules mounting rail / screw-type terminal**

Universal diode 1300 V, 1 A

6 diodes

Single

**Image**

- separation contact via pluggable jumpers

Vicarious picture

**Technical Data**

Operating voltage max. 48 V AC/DC

**General data**

Temperature range -20...+60 °C

Connection Screw terminals: max. 4 mm<sup>2</sup>

Mounting method DIN-rail mountable TH35 or G32 (EN 60715)

**Description**

Functional description Diode modules are suitable for the suppression of inductive loads (valve, contactor, etc.)

**Commercial data**

Net weight 66

Weight unit Gram

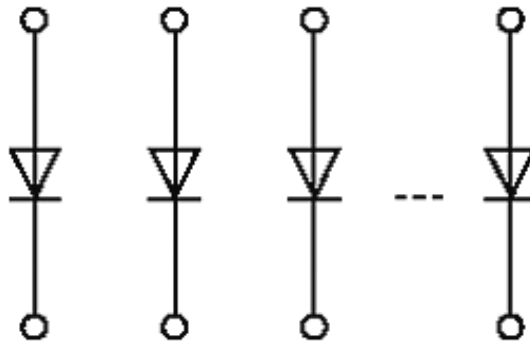
Basic unit pc.

Customs tariff number 85411000

Unit (piece) 1

Minimum order quantity (piece) 1

Circuit diagram



Dimension drawing

