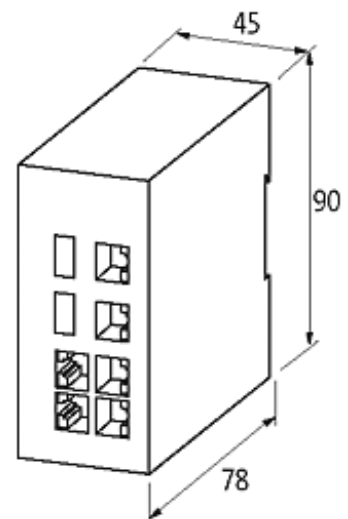


TREE 6TX ECO - UNMANAGED SWITCH - 6 PORTS

6 ports unmanaged switch

For connection cables please see chapter "Connection Technology"

[Link to Product](#)**Illustration**

Product may differ from Image

Approvals



Connections

Fieldbus	6 × RJ45
Supply System	Screw plug-in terminal: 0.2...1.5 mm ²

Technical Data

Operating voltage	2 × 9...30 V DC, redundancy
Transfer rate	10/100 Mbit/s full duplex
Operating modes	Autocrossing Autonegotiation

General data

Protection	IP20
Housing	Black plastic
Mounting method	DIN-rail mountable TH35 (EN 60715)
Temperature range	0...+60 °C (storage temperature -10...+70 °C)
Dimensions H × W × D	90×45.2×78 mm

Diagnostic

Communication status	via LED
Monitoring - no voltage	yes

Commercial data

country of origin	TW
customs tariff number	85176200
minimum order quantity	1