

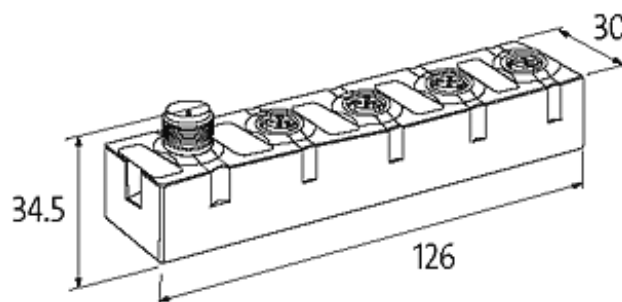
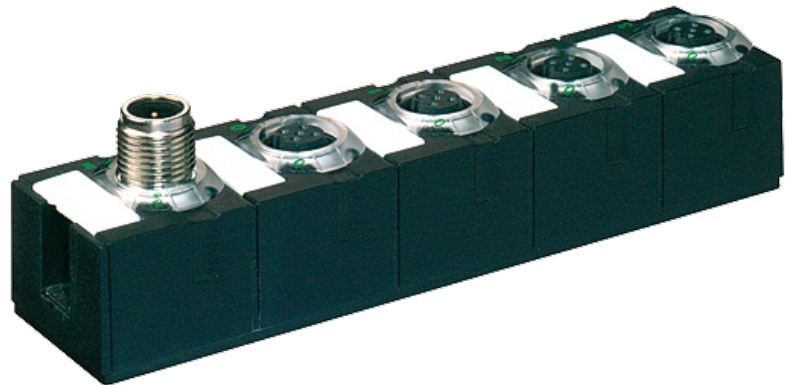
CUBE67 I/O COMPACT MODULE

4 analog inputs (RTD)

Housing fully potted. For connection cables please see chapter "Connection Technology"

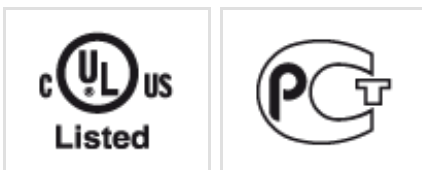
[Link to Product](#)

Illustration



Product may differ from Image

Approvals



Input

Sensor type	Pt 100, 200, 500, 1000; Ni 100, 120, 200, 500, 1000; R 0...3000 Ohm
Conversion time (analog)	approx. 58 ms per channel
Resolution (analog)	15 Bit + sign
Accuracy	max. ± 0.5 % (of range limit)
Accuracy (Ni)	max. ± 1 % (of range limit)
Connection	2-, 3-, 4-wire technology

Internal communication

Current consumption	max. 50 mA
---------------------	------------

LED display

US: sensor supply and internal supply voltage (green: OK); UA: actuator supply (green: OK)

Connections

Fieldbus	via internal system connection (2×4 A)
Sensor-system/actuator supply	via internal system connection (max. 2×4 A)
I/O ports	M12 (male) 5-pole, A-coded

General data

Protection	IP67
Mounting method	2-hole screw mounting
Temperature range	0...+55 °C (storage temperature -20...+75 °C)

Diagnostic

Communication status	via LED
Diagnostic via LED	per module and channel
Diagnostic via BUS	per module and channel
Monitoring - under voltage	yes
Monitoring - no voltage	yes
Short circuit and overload	yes
Actuator warning	per channel via LED and BUS
Wire break upper/lower limit overload	per channel via LED and BUS

Commercial data

country of origin	DE
customs tariff number	85176200
minimum order quantity	1