

CUBE67 I/O COMPACT MODULE

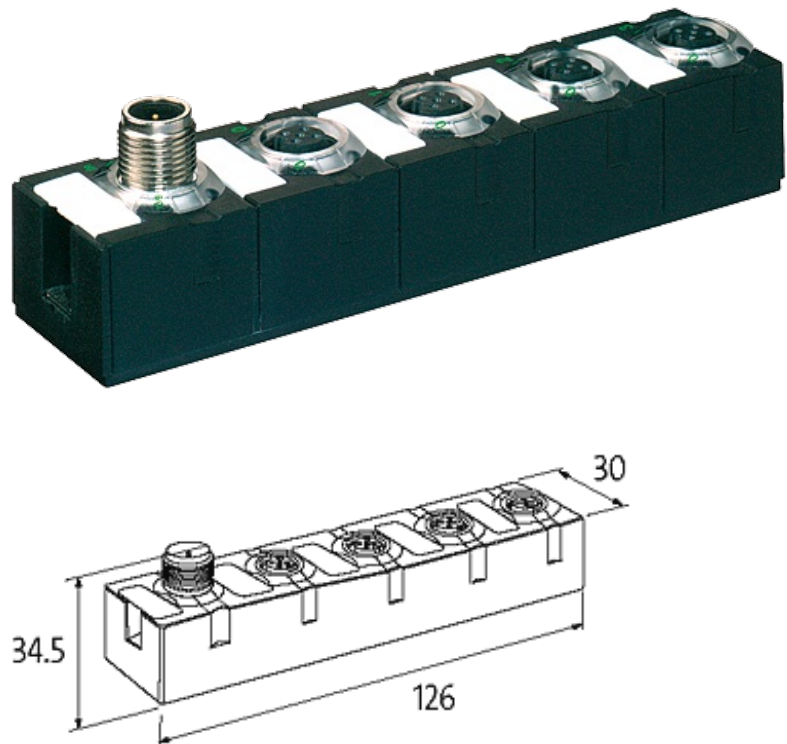
4 analog inputs (I)

Compact module
AI4 - (C) 4×M12 (I)
Current

Housing fully potted. For connection cables please see chapter "Connection Technology"

[Link to Product](#)

Illustration



Product may differ from Image

Approvals

cULus

GOST

General data

Protection	IP67
Mounting method	2-hole screw mounting
Temperature range	0...+55 °C (storage temperature -20...+75 °C)

Internal communication

Module supply	via internal system connection (max. 2×4 A)
Current consumption	max. 50 mA

LED display US: sensor supply and internal supply voltage (green: OK); UA: actuator supply (green: OK)

Input

Conversion time (analog)	approx. 2 ms (per channel)
Sensor supply US	24 V DC (EN 61131-2), max. 200 mA (M12 female), short-circuit and overload protected
Resolution (analog)	15 Bit
Accuracy	max. $\pm 0.5\%$ (of range limit)

Current input signals

Load	approx. 300 Ohm, differential input
Input range	0...20 mA, 4...20 mA

Diagnostic

Communication status	via LED
Diagnostic via LED	per module and channel
Diagnostic via BUS	per module and channel
Monitoring - under voltage	yes
Monitoring - no voltage	yes
Short circuit and overload	yes
Actuator warning	per channel via LED and BUS
Wire break upper/lower limit overload	per channel via LED and BUS

Commercial data

country of origin	DE
customs tariff number	85176200
minimum order quantity	1