

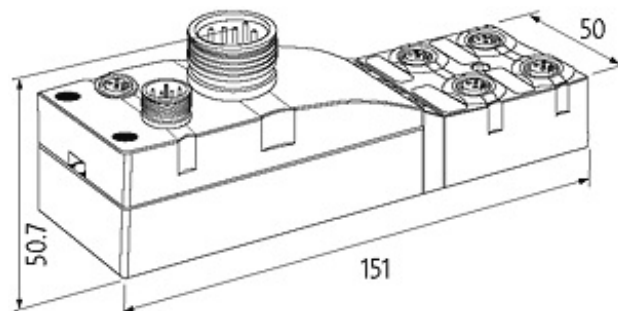
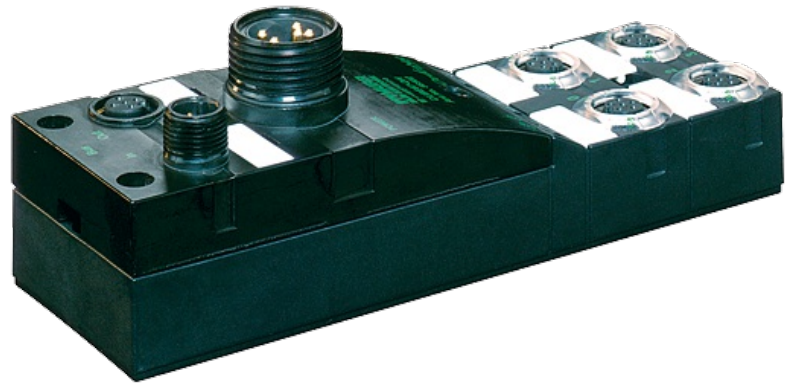
## CUBE67 BUS NODES

Profibus DP

Housing fully potted. For connection cables please see chapter "Connection Technology"

### [Link to Product](#)

#### Illustration



Product may differ from Image

#### Approvals



#### More Info



#### Connections

Fieldbus	M12, B-coded
Sensor-system/actuator supply	7/8", 5-pole, 2 × max. 8 A
Internal system connection	via M12, 6 pole; max. 4 A

**Fieldbus**

Operating modes	Sync- and freeze mode are supported
Transfer rate	to 12 Mbit/s
Addressing	Rotary switch 0...99

**General data**

Protection	IP67
Mounting method	2-hole screw mounting
Temperature range	0...+55 °C (storage temperature -20...+75 °C)

**Supply voltage**

Operating voltage	24 V DC (EN 61131-2)
Current consumption	max. 120 mA

**Diagnostic**

Communication status	per LED and BUS
Diagnostic via LED	per module and channel
Diagnostic via BUS	per module and channel
Monitoring - under voltage	yes
Monitoring - no voltage	yes
Short circuit and overload	yes

**Commercial data**

country of origin	DE
customs tariff number	85176200
minimum order quantity	1