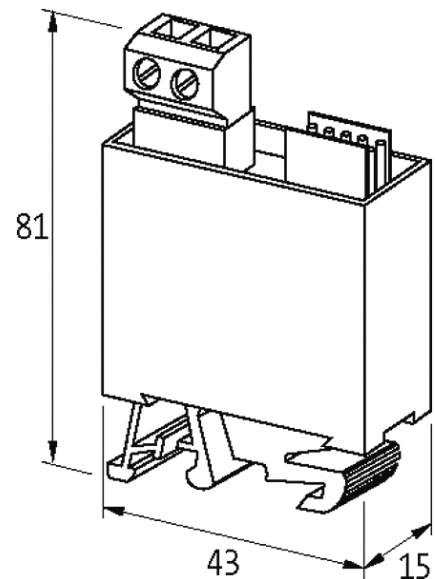


## MASI00 I/O MODULE

4 digital inputs, 4 digital outputs

### [Link to Product](#)

#### Illustration



Product may differ from Image

#### Input

Sensor supply US	max. 200 mA from AS-Interface (short-circuit and overload protected)
Type	for standard switches

#### Technical Data

Bus voltage (AS-Interface)	26.5...31.6 V DC
Total current (AS-Interface)	max. 250 mA

The information in this brochure has been compiled with the utmost care.

Liability for the correctness completeness and topicality of the information is restricted to gross negligence. Version: 06/17

Murrelektronik GmbH | Falkenstraße 3 | 71570 Oppenweiler | Fon +49 (71 91) 47-0 | Fax +49 (71 91) 47-491000 | shop@murrelektronik.de | shop.murrelektronik.de

Addressing	1...31 via plug terminals
Address range	1...31
Profile (IO/ID/ID2 code)	S-7.F.F
<b>General data</b>	
Protection	IP00
Mounting method	DIN-rail mountable (EN 60715)
Connection AS-Interface	Screw plug-in terminal: 0.2...2.5 mm <sup>2</sup>
Temperature range	0...+55 °C (storage temperature -20...+70 °C)
Dimensions H × W × D	43×15×81 mm
<b>Output</b>	
Switching current per output	max. 0.2 A (short-circuit and overload protected)
Total current	max. 200 mA
Switch off time in case of short circuit	approx. 50 ms
<b>Diagnostic</b>	
Communication status	via LED
Diagnostic via LED	per module
Monitoring - no voltage	yes
<b>Commercial data</b>	
country of origin	DE
customs tariff number	85176200
EAN	4048879050050
minimum order quantity	1