

**MIRO 6,2 24VDC-1U output relay IN: 24 VDC - OUT: 250 VAC/DC / 6 A**

1 NO/NC contact  
24 V DC  
Screw terminals

**Image**

Vicarious picture

**Switching capacity (EN 60947-5-1)**

AC-12	6 A (24 V AC; 110 V AC; 230 V AC)
AC-15	3 A (24 V AC; 110 V AC; 230 V AC)
DC-13	1 A (24 V DC); 0.2 A (110 V DC); 0.1 A (230 V DC)

**Input**

Connection voltage - current	19.2...30 V DC - approx. 14 mA
LED display	LED (green)

**Output**

Switching voltage	max. 250 V AC/DC
Switching current per output	max. 6 A
Min. load current	10 mA (12 V DC)
Power rating (voltage dependent)	max. 1500 VA/120 W
Switching frequency	max. 10 Hz
Contact material	Ag Sn O <sub>2</sub>
Energize/release/contact bounce time	10/15/1.5 ms

**General data**

Mech./ elect. life	20.000.000 switching cycles/load dependent
Test isolation voltage	4 kV; safe separation (EN 60947-1)
Temperature range	-20...+55 °C
Mounting method	DIN-rail mountable (EN 60715)

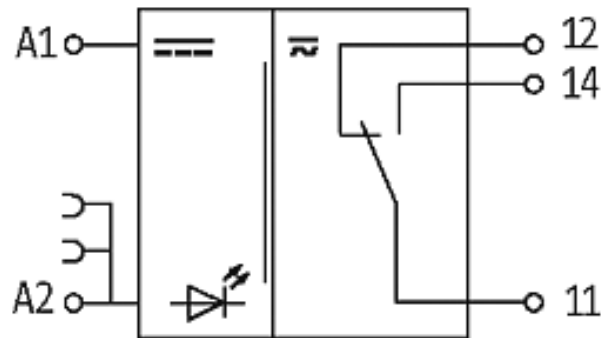
**Commercial data**

Net weight	34
Weight unit	Gram
Basic unit	pc.
Customs tariff number	85364900
Unit (piece)	1
Minimum order quantity (piece)	1

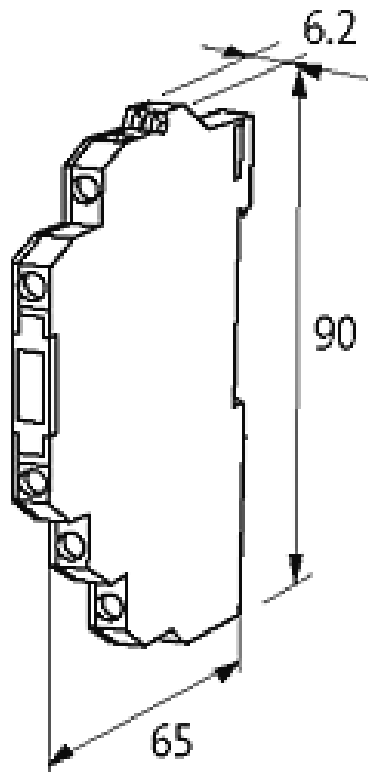
All data on this data sheet was compiled carefully.

Liability regarding correctness, completeness, and actuality is limited to gross negligence. Created: 07/14

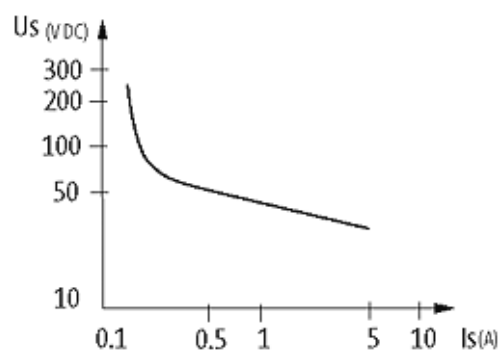
## Circuit diagram



## Dimension drawing



## Load limit curve



## De-rating curve

