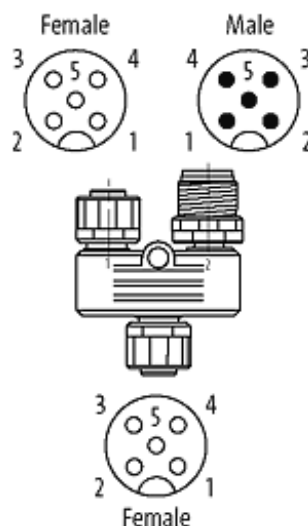
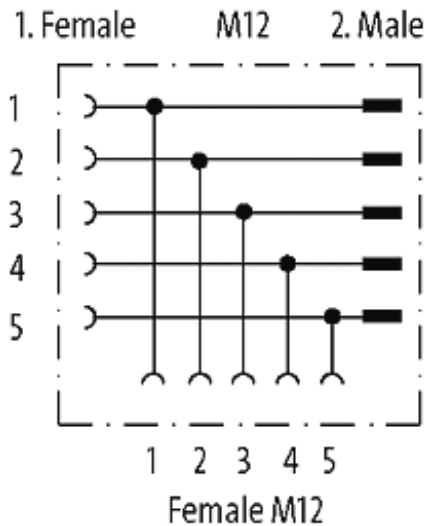
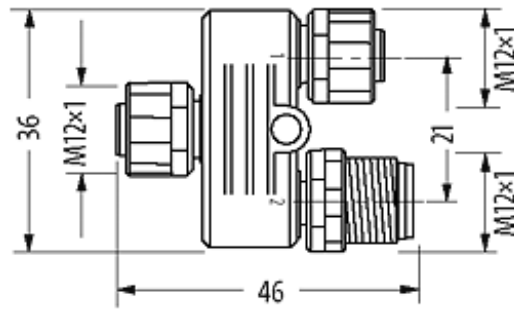


**T-COUPLER M12 FEMALE/M12 FEMALE+M12 MALE 0°**

T-coupler M12 – M12  
5-pole  
Parallel circuit  
Quantity: 10 pcs.

Plastic housings with good resistance against chemicals and oils. The resistance to aggressive media should be individually tested for your application. Further details on request.

[Link to Product](#)**Illustration**



Product may differ from Image

**Form**

Form 332762

**Technical Data**

Operating voltage	max. 24 V AC/DC
Operating current per contact	max. 4 A
Locking of ports	Screw thread M12 × 1 mm (recommended torque 0.6 Nm) self-securing
Protection	IP67 inserted and tightened (EN 60529)
Locking material	Zinc die casting, matte nickel plated
Material	PUR

**General data**

Temperature range -25...+85 °C

**Commercial data**

country of origin	DE
customs tariff number	85366990
EAN	4048879257916
eClass	27279218
Packaging unit	10