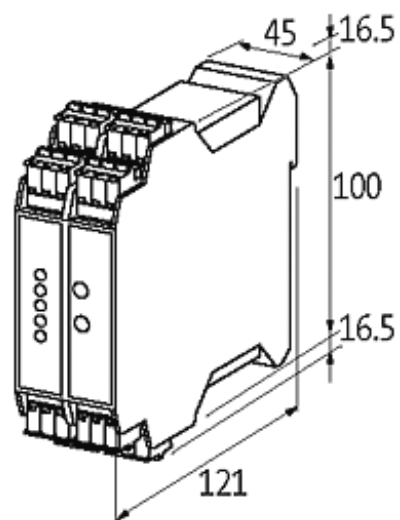
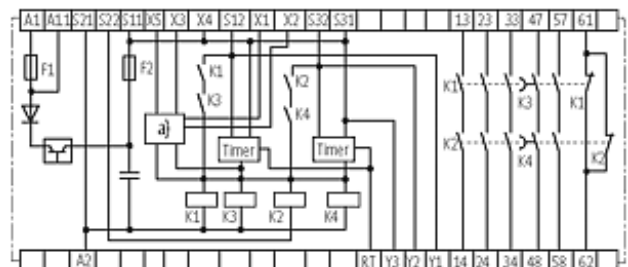
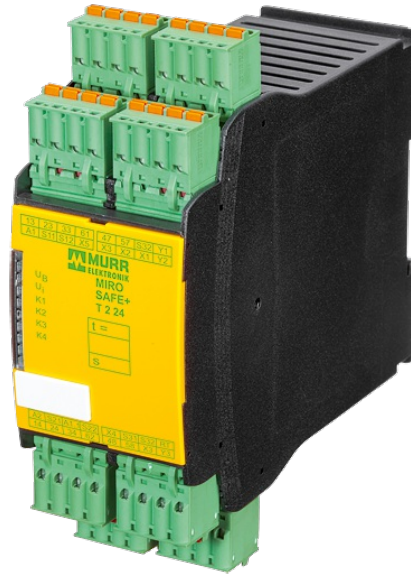


MIRO SAFE+ T 2 24

24 VAC/DC - 3 N/O contact / 2 N/O contact delayed

[Link to Product](#)

Illustration



Product may differ from Image

Approvals

The information in this brochure has been compiled with the utmost care.

Liability for the correctness completeness and topicality of the information is restricted to gross negligence. Version: 02/15

Murrelektronik GmbH | Falkenstraße 3, 71570 Oppenweiler | Fon +49 (71 91) 47-0, Fax +49 (71 91) 47-491000 | shop@murrelektronik.de | shop.murrelektronik.de



Utilization category

Safety contacts (STOP 0)	max. 250 V AC/8 A; min. 10 V AC/10 mA (ohm./ind.), at suitable suppression
Safety contacts (STOP 1)	max. 250 V AC/6 A; min. 10 V AC/10 mA (ohm./ind.), at suitable suppression
AC-15	6 A (230 V AC) STOP0; 3 A (230 V AC) STOP1
DC-13	6 A (24 V DC) STOP0; 2 A (24 V DC) STOP1

Input

Input voltage	24 V DC (-15/+20 %), 24 V AC (-15/+10 %)
Input current	max. 7.1 VA/3.2 W (with monitoring output)

Safety Indicators

PL	up to e (STOP0); up to d (STOP1)
Category	up to 4 (STOP0); up to 3 (STOP1)
DC	99 % (STOP0); min. 60 % (STOP1)
SIL	up to 3 (STOP0); up to 2 (STOP1)
Service life	20 years

General data

Mech./ elect. life	10.000.000 switching cycles/load dependent
Connection	Spring clamp plug-in terminals
Mounting method	DIN-rail mountable (EN 60715)
Dimensions H × W × D	100×45×121
Temperature range	-25...+60 °C (storage temperature -40...+85 °C)

Output

Switching voltage	max. 250 V AC/DC
Switching current per output	max. 6 A
Total current (STOP 0)	18 A (45 °C); 15 A (55 °C); 12 A (60 °C)
Total current (STOP 1)	12 A (45 °C); 10 A (55 °C); 8 A (60 °C)
Number of auxiliary contacts	1 - (31-32)
Number of alarm outputs	3 - (13-14); (23-24); (33-34)
Number of safety contacts	3 - (13-14), (23-24), (33-34), STOP0; 2 - (47-48), (57-58), STOP1
Contact material	AgSnO, self cleaning, positively driven

Commercial data

country of origin	DE
customs tariff number	85364900
minimum order quantity	1