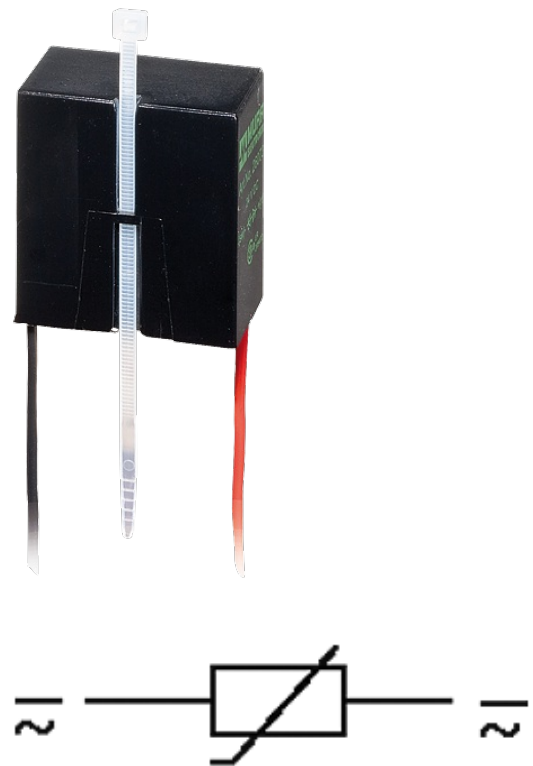


UNIVERSAL CONTACTOR SUPPRESSOR

Varistor, 24VAC/DC

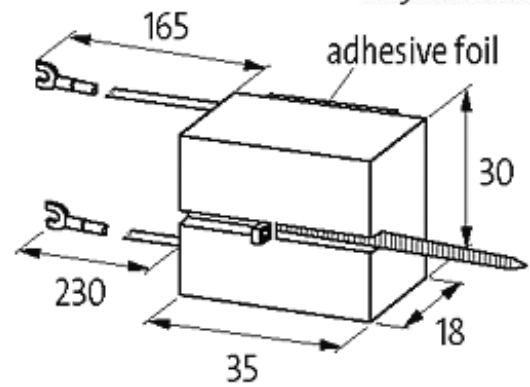
24 V AC/DC
VDR

For other configurations and voltages, please inquire

[Link to Product](#)**Illustration**

VDR

stay connected



Product may differ from Image

Approvals

CSA

General data

Temperature range	-20...+70 °C
Dimensions H × W × D	35×30×18

Technical Data

Damping factor	approx. 1.5 × UN
Material	Flame retardant plastic acc. to (UL 94)
Connection wires	self-securing cable forks
Max. power (W)	200 W(VA)

Appropriate contactors

universal

Commercial data

country of origin	CZ
customs tariff number	85363010
minimum order quantity	1