

SUPPRESSOR FOR CONTACTORS

Diode combination, 24 VDC, 75 W

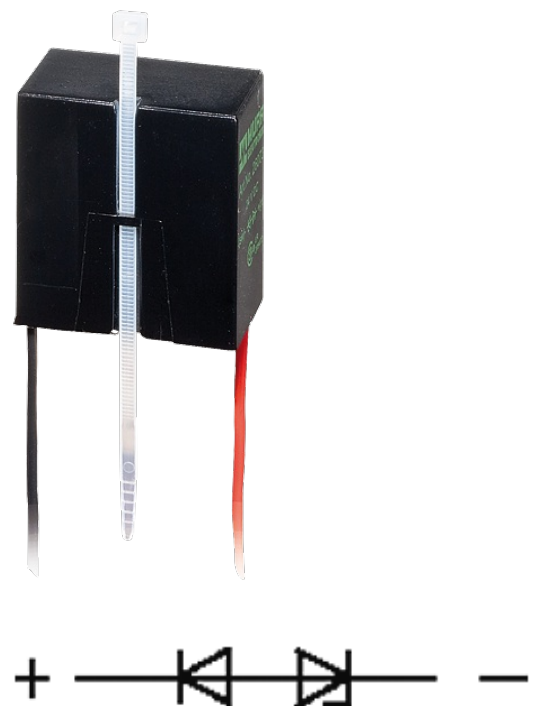
24 V DC

Diode/Z-Diode

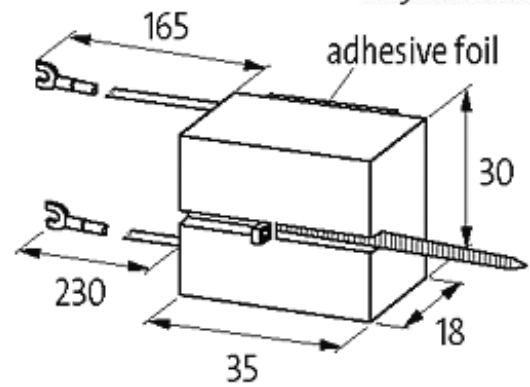
For other configurations and voltages, please inquire

[Link to Product](#)

Illustration



Diode/Z-Diode

stay connected

Product may differ from Image

Approvals



Appropriate contactors

universal

General data

Temperature range	-20...+70 °C
Dimensions H × W × D	35×30×18 mm

Technical Data

Max. power (W)	75 W
----------------	------

Commercial data

country of origin	CZ
customs tariff number	85363010
minimum order quantity	1