

**MEF EMC-Filter 1-phase 1-stage I:20A U:250 VAC/300 VDC snap on**

Current: 20 A  
 DIN-rail mountable  
 for universal applications

**Image**

Vicarious picture

**Technical Data**

Operating voltage	max. 250 V AC/300 V DC
Operating frequency	50...60 Hz
Overload current	18 × (IN t) max. 0.5 ms; 1.5 × (IN t) max. 1 min. (1 × per hour)
Consumption at 250 V AC	max. 5 mA
Connection cross section	0.2...6 mm <sup>2</sup> single core (AWG 24...9); 0.2...4 mm <sup>2</sup> multiple core (AWG 24...11)

**General data**

Climatic category	25/085/21 (EN 60068-1)
Test isolation voltage	L - N: 2.7 kV DC, 2 s; L - L: 2.1 kV DC, 2 s (EN 60939-2)
Connection	Screw connection, touch protected
Mounting method	DIN-rail mountable TH35 (EN 60715)

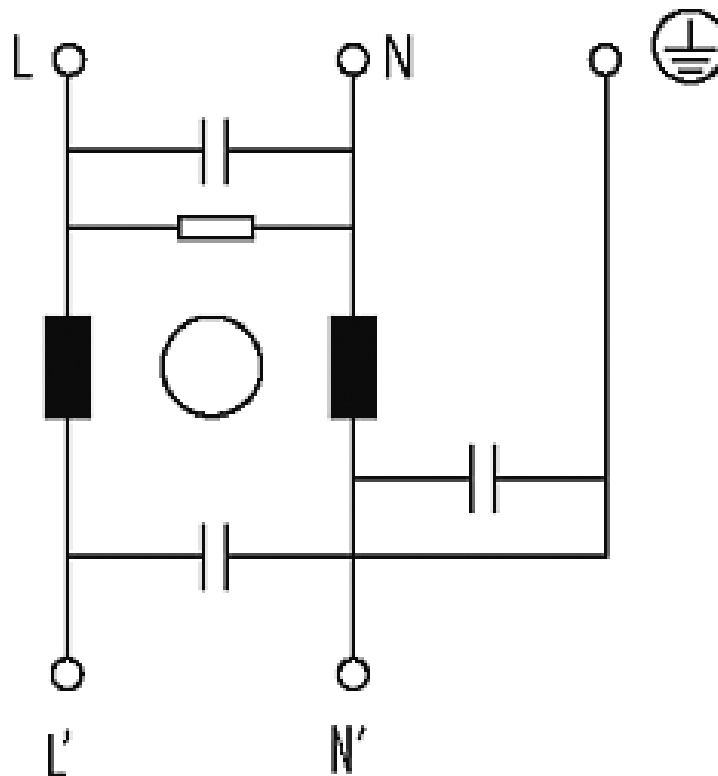
**Commercial data**

Net weight	313
Weight unit	Gram
Basic unit	pc.
Customs tariff number	85363030
Unit (piece)	1
Minimum order quantity (piece)	1

**Comments**

Attenuation curves on request.

## Circuit diagram



## Dimension drawing

