

MEF EMC-Filter 1-phase 1-stage I:10A U:250 VAC/300 VDC snap on

Current: 10 A
 DIN-rail mountable
 for universal applications

Image

Vicarious picture

Technical Data

Operating voltage	max. 250 V AC/300 V DC
Operating frequency	50...60 Hz
Consumption at 250 V AC	max. 5 mA
Overload current	18 × (IN t) max. 0.5 ms; 1.5 × (IN t) max. 1 min. (1 × per hour)
Connection cross section	0.2...6 mm ² single core (AWG 24...9); 0.2...4 mm ² multiple core (AWG 24...11)

General data

Climatic category	25/085/21 (EN 60068-1)
Test isolation voltage	L - N: 2.7 kV DC, 2 s; L - L: 2.1 kV DC, 2 s (EN 60939-2)
Connection	Screw connection, touch protected
Mounting method	DIN-rail mountable TH35 (EN 60715)

Commercial data

Net weight	316
Weight unit	Gram
Basic unit	pc.
Customs tariff number	85363010
Unit (piece)	1
Minimum order quantity (piece)	1

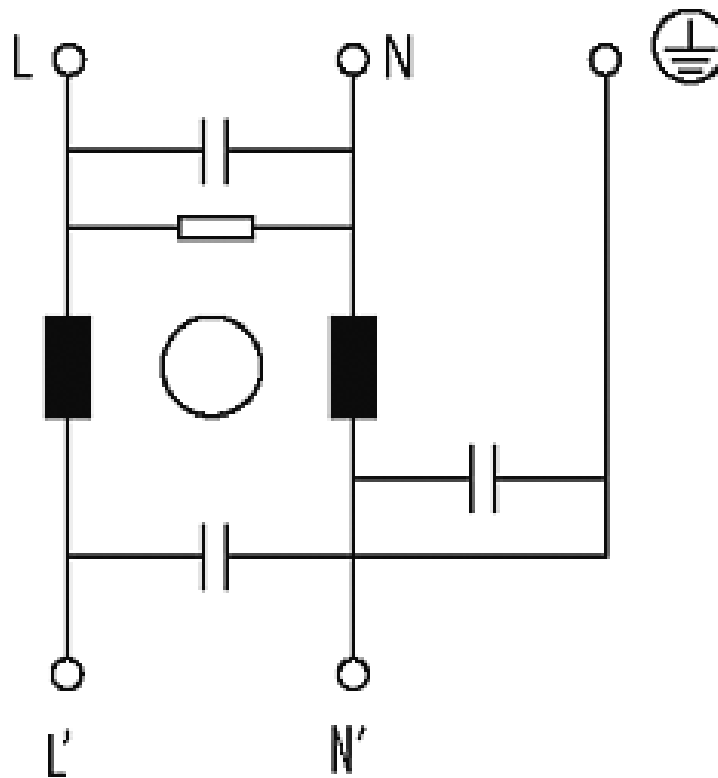
Comments

Attenuation curves on request.

All data on this data sheet was compiled carefully.

Liability regarding correctness, completeness, and actuality is limited to gross negligence. Created: 12/13

Circuit diagram



Dimension drawing

