

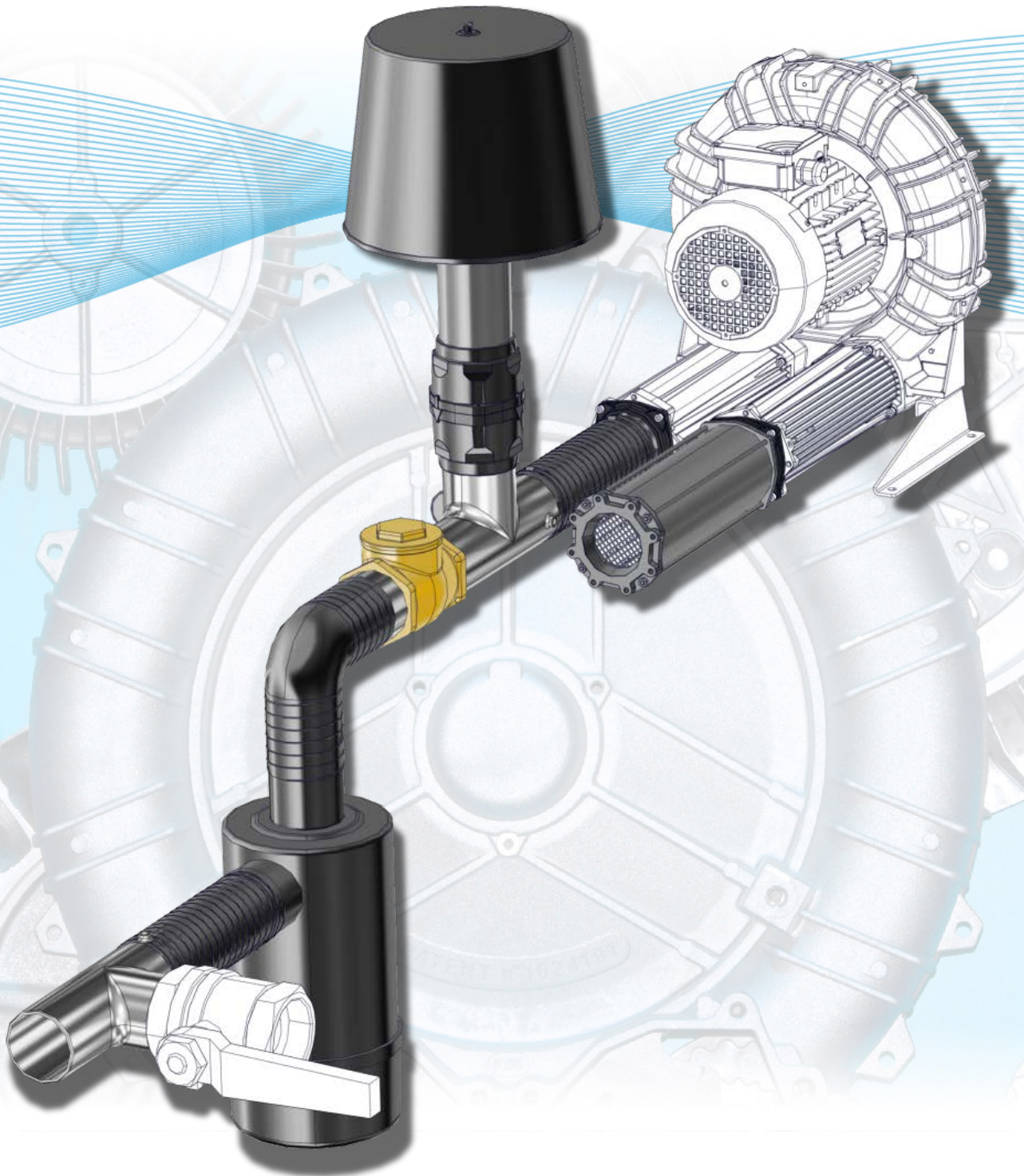


TM

**FPZ**  
BLOWER TECHNOLOGY

# BLOWERS ACCESSORIES

**EU VERSION**



Data sheet

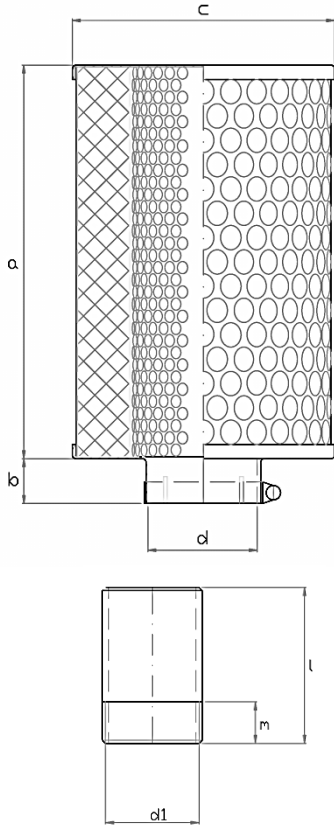
**ACCESSORIES FOR LATERAL CHANNEL BLOWERS-EXHAUSTERS**

COMPANY WITH QUALITY MANAGEMENT  
SYSTEM CERTIFIED BY DNV  
= ISO 9001:2008 =

FPZ s.p.a. Via F.lli Cervi 16, 20863 Concorezzo (MB), ITALY Tel. +39 039.69.09.811 [info@fpz.com](mailto:info@fpz.com) [www.fpz.com](http://www.fpz.com)

## INTAKE FILTER FOR INDOOR USE FA

Treated paper filter with 25 µm rating. Complete with hose clamp connector. PVC connector available on demand.



### DIMENSIONS (FA)

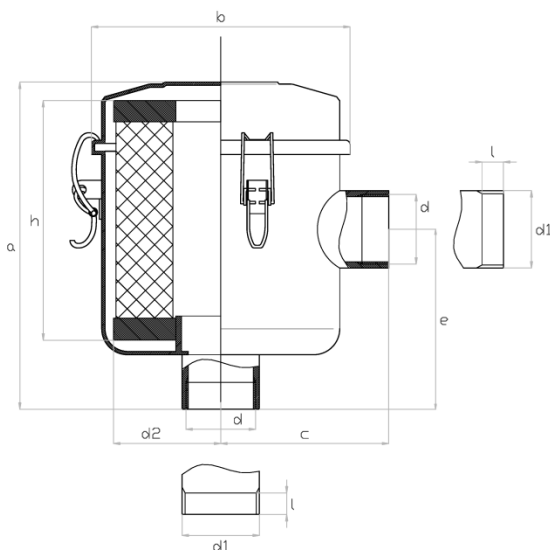
| FILTER | Type | d1   | a   | b   | c   | d    | CAPACITY<br>m <sup>3</sup> /h | WEIGHT<br>kg |
|--------|------|------|-----|-----|-----|------|-------------------------------|--------------|
|        | FA 4 | 1" ¼ | 126 | 23  | 126 | 42   | 100                           | 0,64         |
| FA 5   | 1" ½ | 217  | 23  | 152 | 48  | 300  | 1,15                          |              |
| FA 6   | 2"   | 217  | 23  | 152 | 60  | 400  | 0,96                          |              |
| FA 8   | 3"   | 150  | 34  | 200 | 89  | 700  | 1,33                          |              |
| FA 9   | 4"   | 160  | 38  | 257 | 114 | 1400 | 2,10                          |              |
| FA 10  | 5"   | 160  | 38  | 257 | 140 | 2800 | 2,59                          |              |

| CONNECTOR | Type | d1   | l   | m    | WEIGHT<br>kg |
|-----------|------|------|-----|------|--------------|
|           | TR 4 | 1" ¼ | 200 | 15   | 0,10         |
| TR 5      | 1" ½ | 200  | 15  | 0,21 |              |
| TR 6      | 2"   | 200  | 15  | 0,3  |              |
| TR 8      | 3"   | 200  | 15  | 0,45 |              |
| TR 9      | 4"   | 200  | 15  | 0,72 |              |
| TR 10     | 5"   | 200  | 35  | 1,25 |              |

## INLINE CARTRIDGE AIR FILTER FV

Inline cartridge filter. Painted steel casing comes with threaded GAS connections. Treated paper filter rated at 25 µm

### DIMENSIONS (FV)



| FILTER | Type | d    | d1 | l   | a   | b   | c   | e    | CAPACITY<br>m <sup>3</sup> /h | WEIGHT<br>kg |
|--------|------|------|----|-----|-----|-----|-----|------|-------------------------------|--------------|
|        | FV 5 | 1" ½ | -  | -   | 200 | 176 | 100 | 112  | 180                           | 2,12         |
| FV 6   | 2"   | -    | -  | 258 | 200 | 111 | 131 | 280  | 4,60                          |              |
| FV 8   | 3"   | -    | -  | 268 | 200 | 122 | 142 | 700  | 3,40                          |              |
| FV 10  | -    | 5"   | 40 | 730 | 470 | 265 | 495 | 2450 | 43,00                         |              |

| CARTRIDGE | Type         | FILTER | d2  | h    | WEIGHT<br>kg* |
|-----------|--------------|--------|-----|------|---------------|
|           | CV 5         | FV 5   | 120 | 152  | 0,55          |
| CV 6      | FV 6<br>FA 8 | 150    | 220 | 0,88 |               |
| CV10      | FA 10        | 250    | 240 | 1,60 |               |

\*Weights referred to paper cartridges

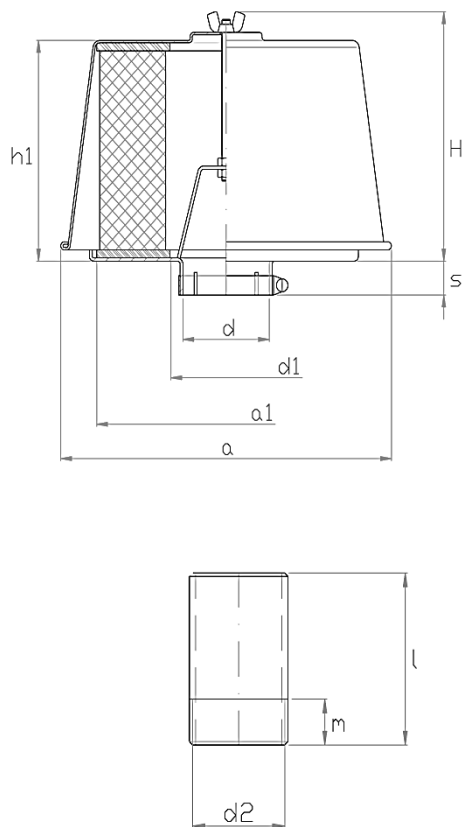
## CARTRIDGE INTLET FILTER FL

Cartridge filter complete with painted steel casing to protect the cartridge from atmospheric conditions. Treated paper cartridge with 25 µm rating. Complete with hose clamp and PVC connectors.

### Options

- Screen in stainless steel
- Filtrating element in polyester with filtration rate G
- CA manifolds or MP sleeves can also be used for easy FA/FL filter installation.
- Treated paper cartridge with filtration rate G (25 µm)

### DIMENSIONS (FL)



| FILTER | Type  | a   | d   | H   | s  | CAPACITY<br>m <sup>3</sup> /h | WEIGHT<br>kg |
|--------|-------|-----|-----|-----|----|-------------------------------|--------------|
|        | FL 1  | 75  | 21  | 62  | 23 | 25                            | 0,19         |
|        | FL 2  | 150 | 27  | 105 | 23 | 85                            | 0,62         |
|        | FL 3  | 150 | 33  | 105 | 23 | 85                            | 0,50         |
|        | FL 4  | 150 | 42  | 105 | 23 | 85                            | 0,85         |
|        | FL 5  | 180 | 48  | 155 | 23 | 250                           | 1,50         |
|        | FL 6  | 230 | 60  | 155 | 23 | 400                           | 1,90         |
|        | FL 8  | 280 | 89  | 180 | 35 | 700                           | 3,60         |
|        | FL 9  | 410 | 114 | 330 | 35 | 1400                          | 7,80         |
|        | FL 10 | 410 | 140 | 330 | 35 | 2800                          | 6,73         |

| CARTRIDGE | Type | FILTER | a1  | d1  | h1  | WEIGHT<br>kg |
|-----------|------|--------|-----|-----|-----|--------------|
|           | CF 1 | FL 1   | 55  | 25  | 50  | 0,04         |
|           | CF 4 | FL 2   | 108 | 55  | 83  | 0,20         |
|           |      | FL 3   |     |     |     |              |
|           | CF 5 | FL 4   | 147 | 80  | 135 | 0,45         |
|           |      | FL 5   |     |     |     |              |
|           | CF 6 | FL 6   | 176 | 80  | 135 | 0,62         |
|           | CF 8 | FL 8   | 225 | 100 | 150 | 1,07         |
|           | CF 9 | FL 9   | 300 | 215 | 300 | 1,78         |
|           |      | FL 10  |     |     |     |              |

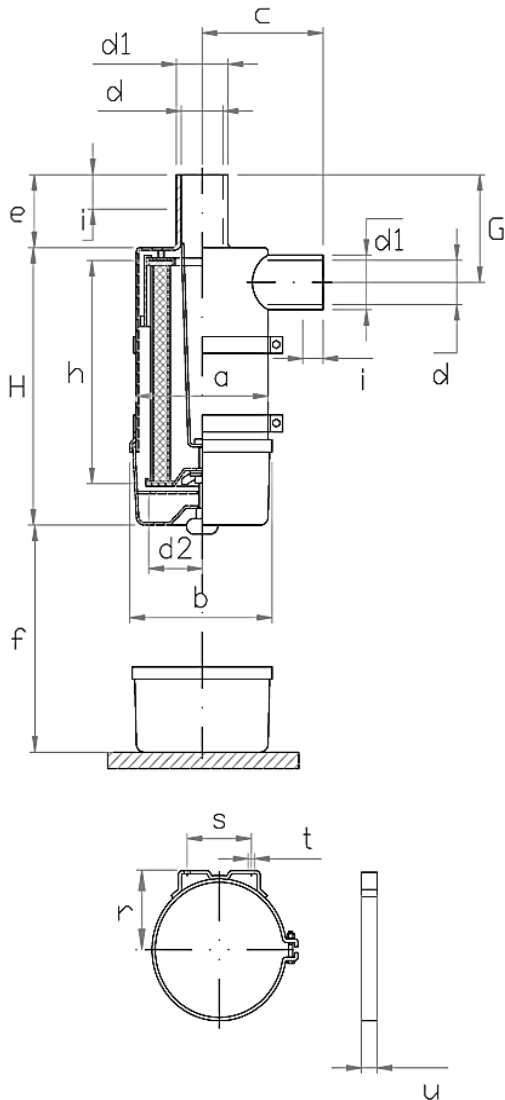
| CONNECTOR | Type  | d2     | l   | m  | WEIGHT*<br>kg |
|-----------|-------|--------|-----|----|---------------|
|           | TR 1  | 1/2"   | 100 | 15 | 0,02          |
|           | TR 2  | 3/4"   | 130 | 15 | 0,04          |
|           | TR 3  | 1"     | 130 | 15 | 0,06          |
|           | TR 4  | 1" 1/4 | 200 | 15 | 0,13          |
|           | TR 5  | 1" 1/2 | 200 | 15 | 0,45          |
|           | TR 6  | 2"     | 200 | 15 | 0,81          |
|           | TR 8  | 3"     | 200 | 15 | 1,26          |
|           | TR 9  | 4"     | 200 | 15 | 1,86          |
|           | TR 10 | 5"     | 200 | 35 | 1,50          |

\*Weights referred to paper cartridges

## INLINE CARTRIDGE CYCLONE FILTER FC

Inline cartridge filter. Unique filter design and finned plastic inserts produce an improved cyclonic effect, giving increased filter life. Treated paper filter element, rated at 25 µm, is housed in a painted steel casing with threaded GAS connections. FS hose are also available for use with FC filters.

### DIMENSIONS (FC)



| FILTER | Type | d      | d1  | a   | b   | c   | e   | f   | G   | H   | i   | CAPACITY<br>m <sup>3</sup> /h | WEIGHT<br>kg |
|--------|------|--------|-----|-----|-----|-----|-----|-----|-----|-----|-----|-------------------------------|--------------|
|        | FC 5 | 1" 1/2 | 48  | 132 | 146 | 126 | 81  | 270 | 129 | 312 | 22  | 170                           | 2,50         |
| FC 6   | 2"   | 60     | 165 | 178 | 156 | 91  | 300 | 144 | 341 | 22  | 240 | 3,50                          |              |
| FC 8   | 3"   | 88     | 203 | 220 | 157 | 102 | 400 | 172 | 453 | 22  | 440 | 1,07                          |              |
| FC 9   | 4"   | 114    | 262 | 276 | 225 | 128 | 430 | 208 | 493 | 22  | 730 | 8,90                          |              |

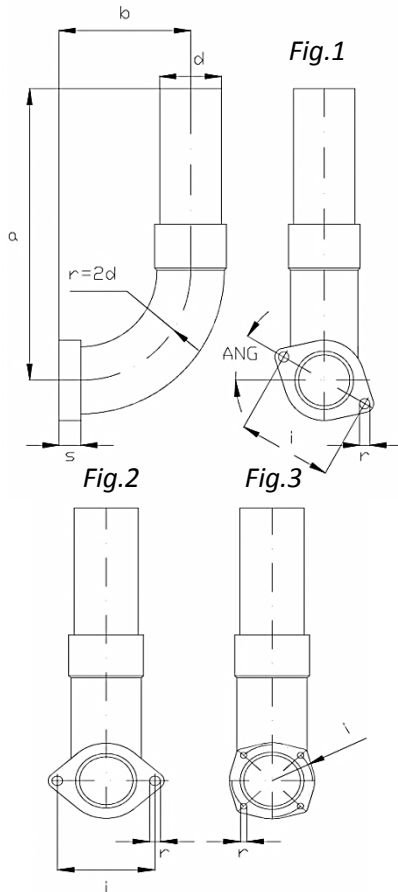
| FLASK | Type | FILTER | r   | s    | t  | u  |
|-------|------|--------|-----|------|----|----|
|       | FS 5 | FC 5   | 70  | 84   | 9  | 22 |
| FS 6  | FC 6 | 103    | 93  | 9    | 22 |    |
| FS 8  | FC 8 | 122    | 112 | 9    | 25 |    |
| FS 9  | FC 9 | 147    | 126 | 11.5 | 32 |    |

| CARTRIDGE | Type | FILTER | d2  | h    | WEIGHT*<br>kg |
|-----------|------|--------|-----|------|---------------|
|           | CL 5 | FC 5   | 104 | 264  | 0,45          |
| CL 6      | FC 6 | 134    | 290 | 0,81 |               |
| CL 8      | FC 8 | 155    | 395 | 1,26 |               |
| CL 9      | FC 9 | 202    | 421 | 1,86 |               |

\*Weights referred to paper cartridges

## MANIFOLD CA for filters FA/FL

90° wide radius PVC manifold with flanged connection and unthreaded tube end. Working temperature  $-20^{\circ} \div +40^{\circ}\text{C}$  ( $-5^{\circ} \div +105^{\circ}\text{F}$ ).



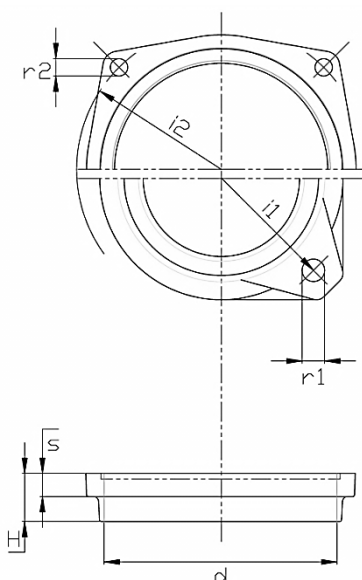
### DIMENSIONS (CA)

| Type  | d      | a   | b   | d   | s  | i   | r  | ANG | Fig. | WEIGHT kg |
|-------|--------|-----|-----|-----|----|-----|----|-----|------|-----------|
| CA 4  | 1" 1/4 | 220 | 90  | 42  | 15 | 75  | 7  | 30° | 1    | 0,26      |
| CA 4V | 1" 1/4 | 220 | 90  | 42  | 15 | 64  | 7  | -   | 2    | 0,26      |
| CA 4K | 1" 1/4 | 260 | 160 | 42  | 15 | 64  | 7  | -   | 2    | 0,26      |
| CA 5  | 1" 1/2 | 260 | 110 | 48  | 15 | 85  | 7  | 45° | 1    | 0,43      |
| CA 5V | 1" 1/2 | 260 | 110 | 48  | 15 | 75  | 7  | -   | 2    | 0,43      |
| CA 5K | 1" 1/2 | 300 | 180 | 48  | 15 | 75  | 7  | -   | 2    | 0,43      |
| CA 6  | 2"     | 320 | 135 | 60  | 15 | 85  | 7  | 45° | 1    | 0,73      |
| CA 6V | 2"     | 320 | 135 | 60  | 15 | 85  | 7  | -   | 2    | 0,73      |
| CA 8  | 3"     | 380 | 185 | 88  | 15 | 120 | 7  | -   | 3    | 1,60      |
| CA 9  | 4"     | 400 | 235 | 113 | 20 | 150 | 9  | -   | 3    | 3,10      |
| CA 10 | 5"     | 450 | 300 | 140 | 20 | 210 | 18 | -   | 3    | 5,88      |

## THREADED FLANGE

Threadened flange in aluminum alloy.

### DIMENSIONS (TF)



| Type      | d       | H  | i1 | i2  | r1  | r2  | s  | WEIGHT kg |
|-----------|---------|----|----|-----|-----|-----|----|-----------|
| TF 3      | 1"G     | 18 | 55 | -   | 6.5 | -   | 10 | 0,05      |
| TF 4      | 1" 1/4G | 18 | 75 | -   | 6.5 | -   | 10 | 0,10      |
| TF 4V     | 1" 1/4G | 18 | 64 | -   | 6.5 | -   | 10 | 0,10      |
| TF 5      | 1" 1/2G | 18 | 85 | -   | 6.5 | -   | 10 | 0,10      |
| TF 5V     | 1" 1/2G | 18 | 75 | -   | 6.5 | -   | 10 | 0,10      |
| TF 6      | 2"G     | 18 | 85 | -   | 6.5 | -   | 10 | 0,10      |
| TF 8      | 3"G     | 25 | -  | 120 | -   | 6.5 | 13 | 0,20      |
| TF 9      | 4"G     | 25 | -  | 150 | -   | 9   | 13 | 0,30      |
| TF 10     | 5"G     | 35 | -  | 210 | -   | 17  | 13 | 0,77      |
| TF 8NPT   | 3"N     | 25 | -  | 120 | -   | 6.5 | 13 | 0,20      |
| TF 9 NPT  | 4"N     | 25 | -  | 150 | -   | 9   | 13 | 0,30      |
| TF 10 NPT | 5"N     | 35 | -  | 210 | -   | 17  | 13 | 0,77      |



## FLANGE VK valve housing vrl

The VK accessory makes it possible to connect VRL valves directly on the cover of the series K blowers:

- SCL K-MS applicable in delivery and intake;
- SCL K-MD applicable only in intake;
- SCL K-TS applicable both in delivery and intake;
- SCL K-TD not applicable.

## CHARACTERISTICS

Aluminium alloy flange with threaded connector.  
 Supplied with installation kit (seal, screws, bolts and spanner).

## DIMENSIONS (VK)

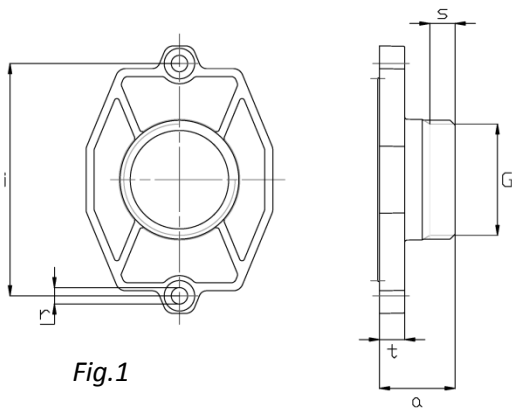


Fig.1

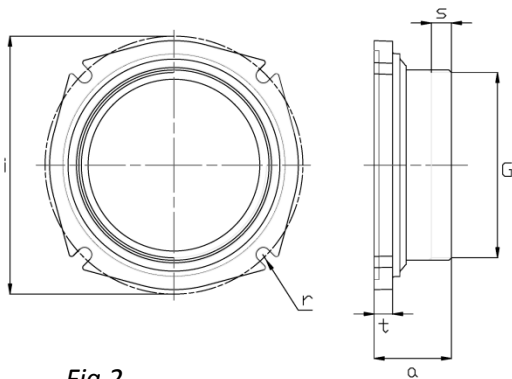
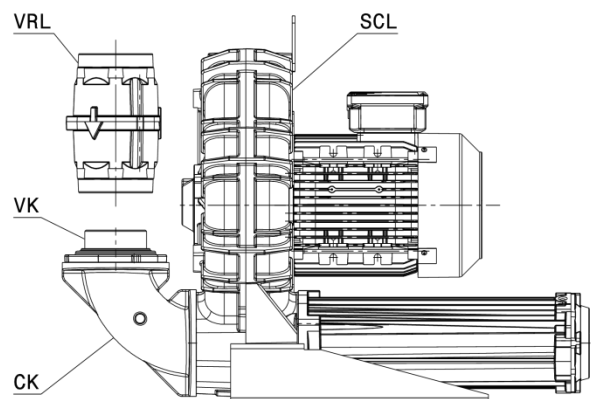
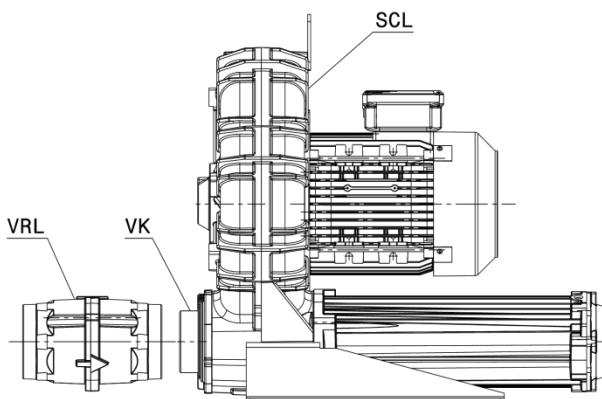


Fig.2

| Type   | Dn      | G        | a    | i   |
|--------|---------|----------|------|-----|
| VK 5G  | 1" 1/2G | 1" 1/2G  | 30   | 92  |
| VK 6G  | 2"G     | 2"G      | 50   | 110 |
| VK 6AG | 2"G     | 2"G      | 59.5 | 130 |
| VK 8G  | 3"G     | 3"G      | 43   | 130 |
| VK 9G  | 4"G     | 4"G      | 46   | 150 |
| VK 5N  | 1" 1/2N | 1" 1/2 N | 30   | 92  |
| VK 6N  | 2"N     | 2"N      | 50   | 110 |
| VK 6AN | 2"N     | 2"N      | 59.5 | 130 |
| VK 8N  | 3"N     | 3"N      | 43   | 130 |
| VK 9N  | 4"N     | 4"N      | 46   | 150 |

| Type   | r   | s  | t  | Fig. | WEIGHT kg |
|--------|-----|----|----|------|-----------|
| VK 5G  | 6.5 | 10 | 10 | 1    | 0,09      |
| VK 6G  | 8.5 | 12 | 10 | 1    | 0,09      |
| VK 6AG | 9   | 12 | 11 | 2    | 0,09      |
| VK 8G  | 9   | 10 | 11 | 2    | 0,09      |
| VK 9G  | 9   | 12 | 11 | 2    | 0,40      |
| VK 5N  | 6.5 | 10 | 10 | 1    | 0,09      |
| VK 6N  | 8.5 | 12 | 10 | 1    | 0,09      |
| VK 6AN | 9   | 12 | 11 | 2    | 0,09      |
| VK 8N  | 9   | 10 | 11 | 2    | 0,09      |
| VK 9N  | 9   | 12 | 11 | 2    | 0,40      |



## MANIFOLD CK

90° aluminium manifold for "K" models supplied in a kit containing the gasket and bolts.

### DIMENSIONS (CK)

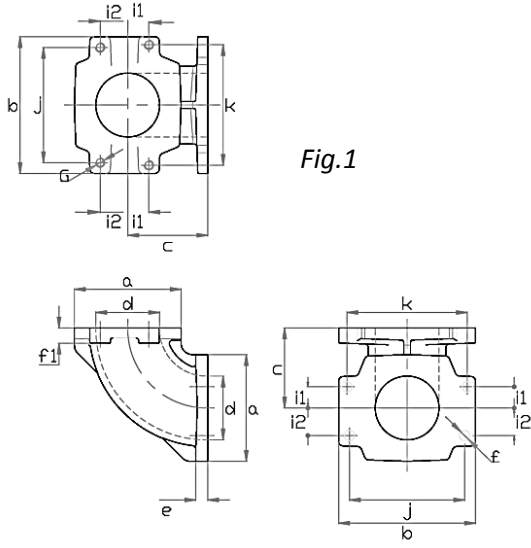


Fig.1

| Type  | a   | b    | c     | d   | e    | f1   | f |
|-------|-----|------|-------|-----|------|------|---|
| CK 4  | 69  | 84.6 | 56    | 38  | 7    | 11.5 | 7 |
| CK 5  | 80  | 100  | 56    | 43  | 7    | 11.5 | 7 |
| CK 6  | 92  | 118  | 69    | 55  | 8.5  | 13   | 9 |
| CK 8  | 145 | 145  | 109.5 | 75  | 10.5 | -    | 9 |
| CK 9  | 165 | 165  | 132.5 | 90  | 10.5 | -    | 9 |
| CK 10 | 220 | 220  | 192   | 128 | 10.5 | -    | 9 |

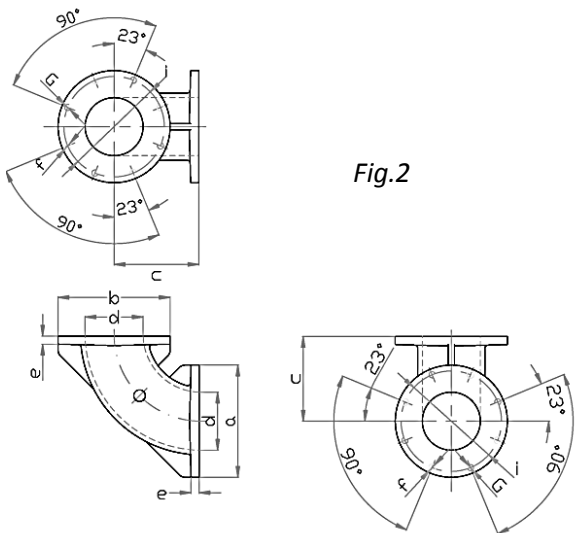
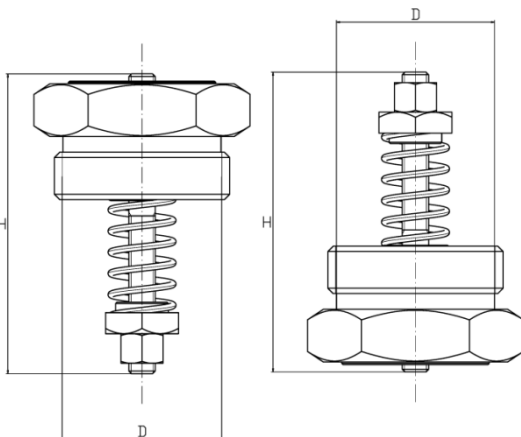


Fig.2

| Type  | G  | i   | i1   | i2   | j    | k    | Fig. | WEIGHT kg |
|-------|----|-----|------|------|------|------|------|-----------|
| CK 4  | M6 | -   | 14.5 | 14.5 | 70.2 | 70.2 | 1    | 0,36      |
| CK 5  | M6 | -   | 17.6 | 17.6 | 85   | 85   | 1    | 0,68      |
| CK 6  | M8 | -   | 18.3 | 23.8 | 99.4 | 104  | 1    | 0,68      |
| CK 8  | M8 | 130 | -    | -    | -    | -    | 2    | 1,37      |
| CK 9  | M8 | 150 | -    | -    | -    | -    | 2    | 1,80      |
| CK 10 | M8 | 190 | -    | -    | -    | -    | 2    | 4,10      |

## VRL

### DIMENSIONS (VLA/RV)



| Mod   | SCL         | DN          | H  | D   | WEIGHT kg |
|-------|-------------|-------------|----|-----|-----------|
| RV 3  | 10 DL       | 1/2 "       | 57 | 1"G | 0,07      |
| VLA 3 | 15 DH<br>06 | 3/4 "<br>1" | 57 | 1"G | 0,07      |

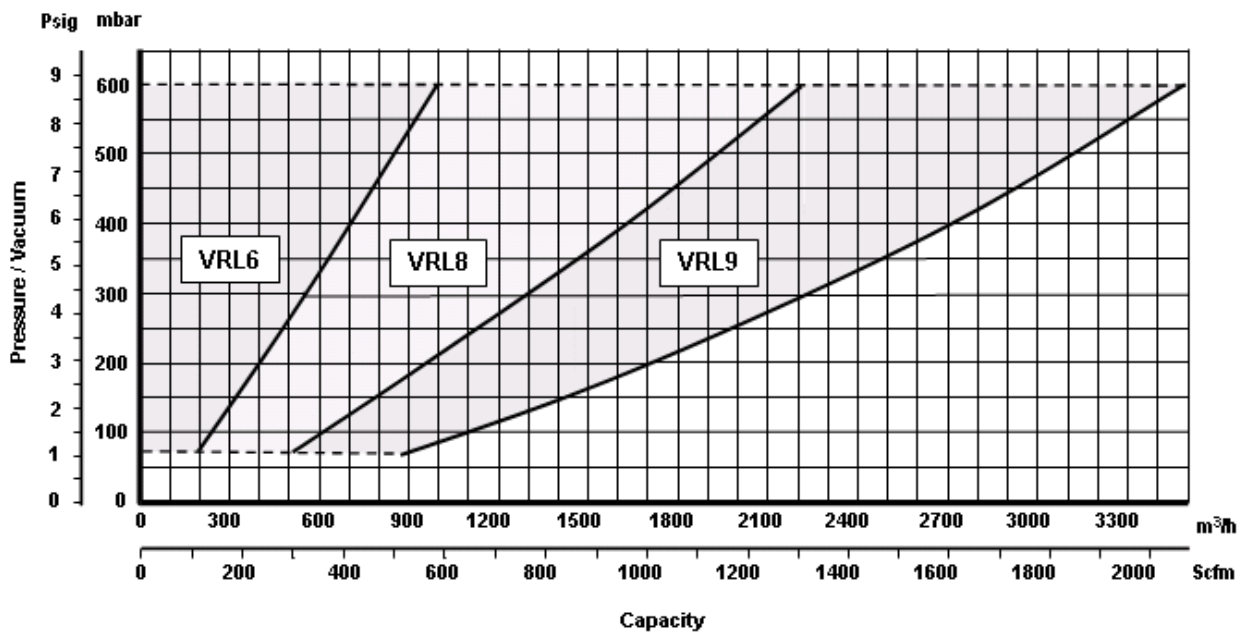
## FLOW RELIEF VALVE - VRL

The valves have been designed for low pressure / vacuum range with minimal hysteresis (difference between the value at which the valve start to open and the value at which the valve is fully opened). The valves are supplied with different springs to maximise their efficiency. These compact valves made of aluminium alloy, are both easy to install and set-up. Valves are designed to operate in a wide range of flows. They are featured to divert an excess of primary flow through an external pipe when working in pressure conditions, and to pipe-in a secondary flow when working in vacuum conditions.

Maximum efficiency is achieved keeping operating values (flow vs pressure / vacuum value) within the **operating range** that refers to air having density equal to 1,23 kg/m<sup>3</sup>.

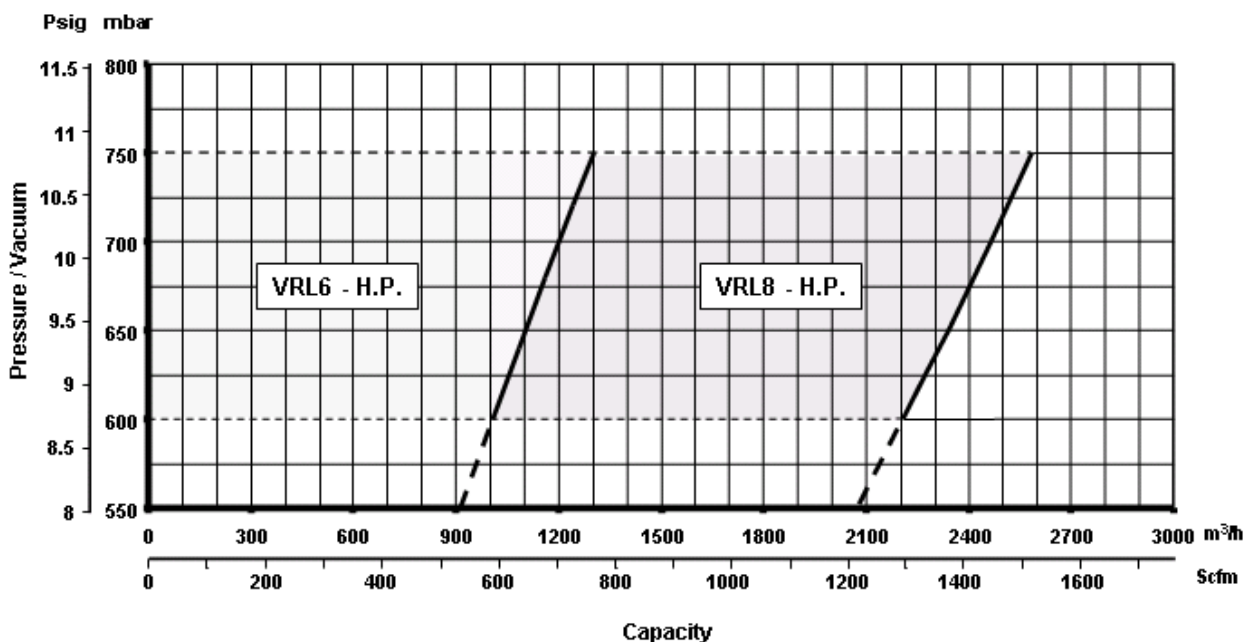
## VRL6/VRL8/VRL9

### OPERATION RANGE



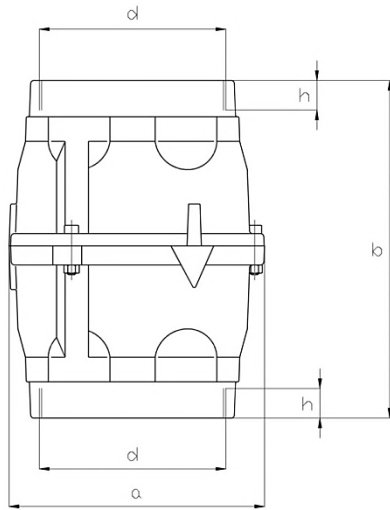
## VRL6/VRL8 H.P.

### OPERATION RANGE





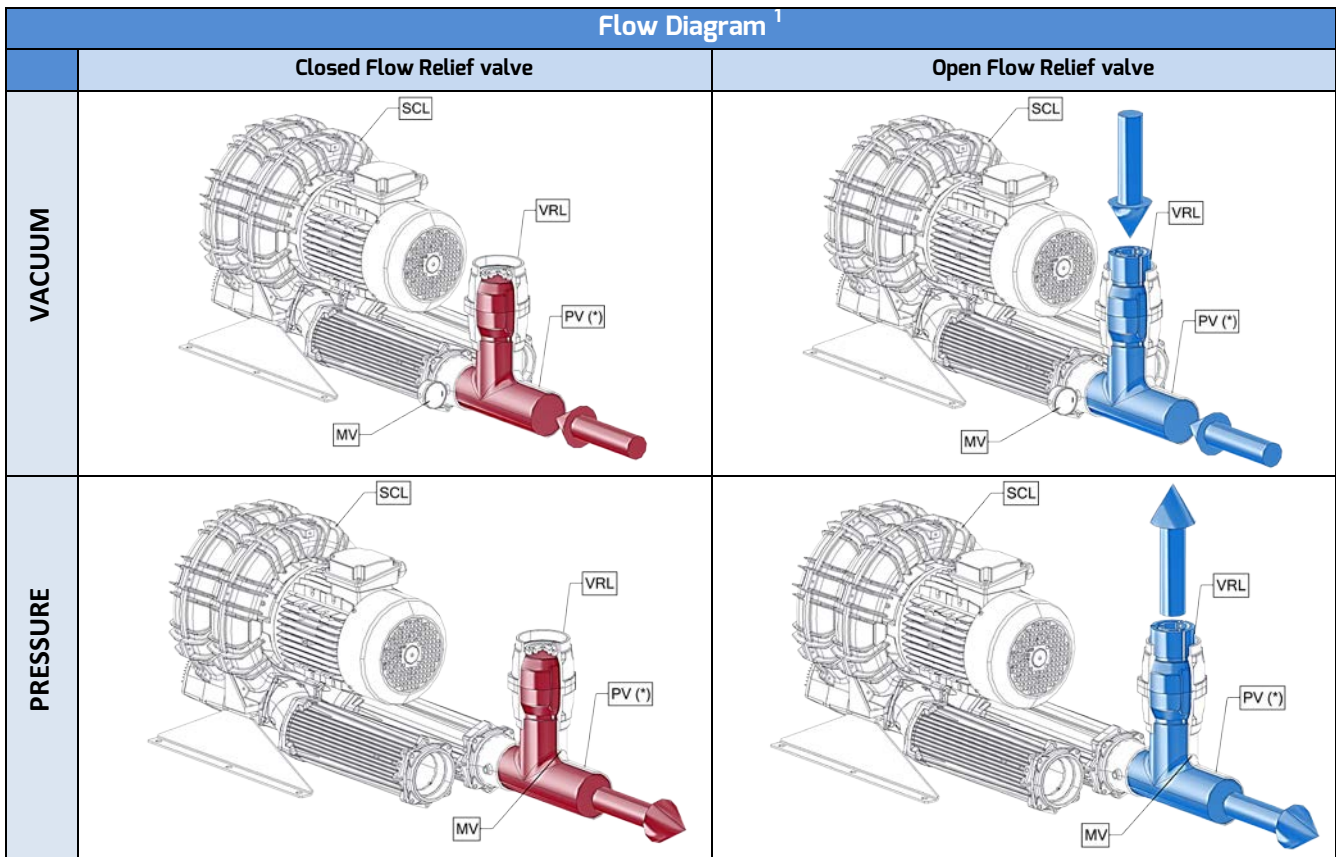
## DIMENSIONS



| VALVE | Mod. | DN  | d    | a   | b   | h  | Weight Kg |
|-------|------|-----|------|-----|-----|----|-----------|
|       | VRL6 | 50  | G 2" | 102 | 175 | 12 | 0.85      |
|       | VRL8 | 80  | G 3" | 135 | 190 | 15 | 1.90      |
|       | VRL9 | 100 | G 4" | 160 | 206 | 18 | 2.60      |

| VALVE | Mod.      | DN | d    | a   | b   | h  | Weight kg |
|-------|-----------|----|------|-----|-----|----|-----------|
|       | VRL6 - HP | 50 | G 2" | 102 | 175 | 12 | 0.85      |
|       | VRL8 - HP | 80 | G 3" | 135 | 190 | 15 | 1.90      |

Flow Diagram <sup>1</sup>



<sup>1</sup> Caution: to read the correct value indicated on the pressure/vacuum gauge, position it between the silencer and the VRL valve.

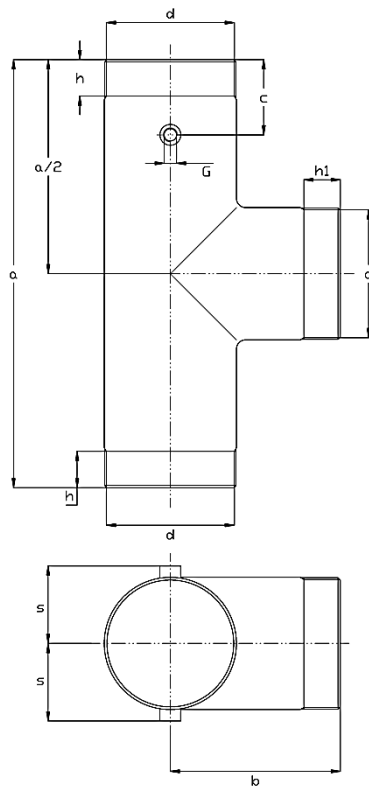
\*See the relevant data sheet

## VALVE HOLDER PV for vrl

The PV accessory is installed directly on the intake flange of the blower (suction) or on the outlet flange (feed) and is arranged for the attachment of the VRL valve, the MC manometer and the MV vacuum gauge.

### CHARACTERISTICS

- Tip with "GAS" threading.
- Provided with G1/4" hole for manometer or vacuum gauge connection.
- Material AISI 304.
- Painted in colour RAL 7031.
- Suitable for the use of flexible sleeve MF.



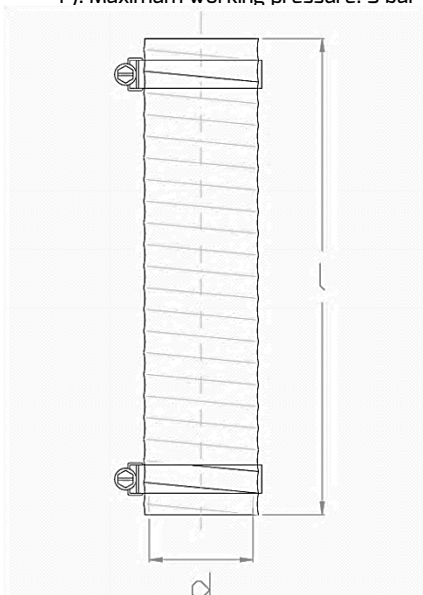
### DIMENSIONS (PV)

| Type   | Dn | d  | a   | b   | c  |
|--------|----|----|-----|-----|----|
| PV 66  | 2" | 2" | 227 | 95  | 35 |
| PV 86  | 3" | 2" | 312 | 137 | 55 |
| PV 88  | 3" | 3" | 310 | 130 | 55 |
| PV 96  | 4" | 2" | 371 | 150 | 65 |
| PV 98  | 4" | 3" | 370 | 173 | 65 |
| PV 99  | 4" | 4" | 370 | 147 | 65 |
| PV 109 | 5" | 4" | 370 | 175 | 65 |

| Type   | G    | h    | h1   | s  | WEIGHT kg |
|--------|------|------|------|----|-----------|
| PV 66  | 1/4" | 21.5 | 21.5 | 40 | 1,30      |
| PV 86  | 1/4" | 28   | 21.5 | 54 | 2,40      |
| PV 88  | 1/4" | 28   | 28   | 54 | 2,80      |
| PV 96  | 1/4" | 31.5 | 21.5 | 67 | 3,50      |
| PV 98  | 1/4" | 31.5 | 28   | 67 | 3,80      |
| PV 99  | 1/4" | 31.5 | 31.5 | 67 | 4,60      |
| PV 109 | 1/4" | 31.5 | 28   | 80 | 3,30      |

## FLEXIBLE SLEEVE

Steel reinforced rubber - coated fibreglass flex tubing, including 2 adjustable hose clamps. Working temperature: -55 ÷ +176 °C (-67 ÷ +350 °F). Maximum working pressure: 3 bar (44 psi).



### DIMENSIONS (FM)

| Type  | Dn     | d   | l   | WEIGHT kg |
|-------|--------|-----|-----|-----------|
| FM 1  | 1/2"   | 20  | 200 | 0,15      |
| FM 2  | 3/4"   | 26  | 200 | 0,06      |
| FM 3  | 1"     | 32  | 200 | 0,08      |
| FM 4  | 1" 1/4 | 45  | 200 | 0,12      |
| FM 5  | 1" 1/2 | 50  | 250 | 0,12      |
| FM 6  | 2"     | 64  | 250 | 0,18      |
| FM 8  | 3"     | 89  | 330 | 0,20      |
| FM 9  | 4"     | 114 | 330 | 0,33      |
| FM 10 | 5"     | 140 | 330 | 0,50      |

## SLEEVE

Aluminum alloy or steel flanged sleeve coupling.

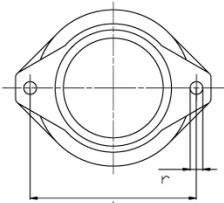
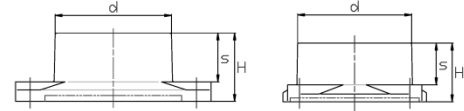


Fig.1

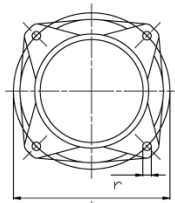


Fig.2

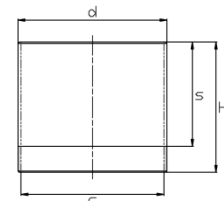


Fig.3

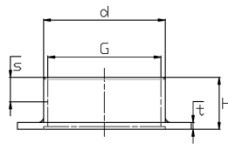


Fig.4

### DIMENSIONS (MP)

| Type  | Dn     | d  | G     | H   | i  | r   | s  | Fig. | WEIGHT kg |
|-------|--------|----|-------|-----|----|-----|----|------|-----------|
| MP 1  | 1/2"   | 21 | 1/2"G | 100 | -  | -   | 85 | 3    | 0,10      |
| MP 2  | 3/4"   | 27 | 3/4"G | 100 | -  | -   | 85 | 3    | 0,10      |
| MP 3  | 1"     | 33 | -     | 35  | 55 | 6.5 | 25 | 1    | 0,07      |
| MP 4  | 1" 1/4 | 42 | -     | 35  | 75 | 6.5 | 25 | 1    | 0,10      |
| MP 4V | 1" 1/4 | 42 | -     | 35  | 64 | 6.5 | 25 | 1    | 0,10      |
| MP 5  | 1" 1/2 | 48 | -     | 35  | 85 | 6.5 | 25 | 1    | 0,10      |
| MP 5V | 1" 1/2 | 48 | -     | 35  | 75 | 6.5 | 25 | 1    | 0,10      |

| Type   | Dn | d   | G    | H   | i   | r   | s | Fig. | WEIGHT kg |
|--------|----|-----|------|-----|-----|-----|---|------|-----------|
| MP 6   | 2" | 60  | -    | 35  | 85  | 6.5 | - | 1    | 0,10      |
| MP 8   | 3" | 88  | -    | 45  | 120 | 6.5 | - | 2    | 0,25      |
| MP 9   | 4" | 114 | 4"G  | 100 | -   | -   | - | 3    | 1,00      |
| MP 10  | 5" | 140 | -    | 60  | 210 | 17  | 8 | 4    | 2,60      |
| MP 10G | 5" | 140 | 5"G  | 60  | 210 | 17  | 8 | 4    | 2,60      |
| MP 10N | 5" | 140 | 5" N | 60  | 210 | 17  | 8 | 4    | 2,60      |

## HOSE CONNECTION FLANGE FITTING FOR SCL K - PK

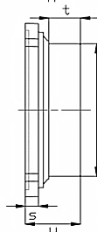
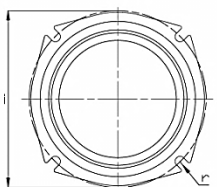
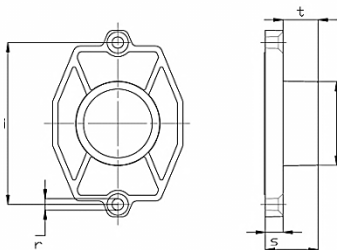
The PK accessory makes it possible to connect to the ducts without using a silencer section on the following blowers:

- SCL K-MS applicable in delivery and intake;
- SCL K-TS applicable both in delivery and intake;
- SCL K-TD applicable in delivery and intake.
- For the SCL K-MD it is applicable only on the cover at the intake

### CHARACTERISTICS

Aluminium alloy flange with hose connector.

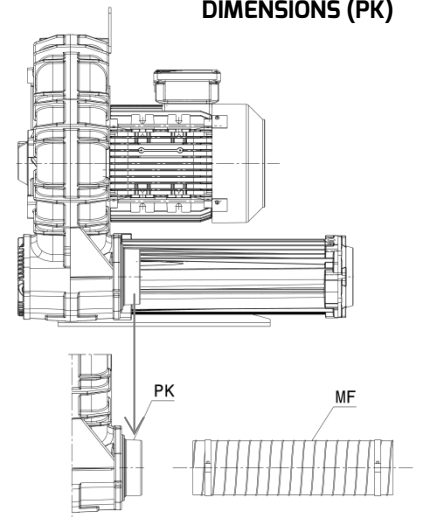
Supplied with installation kit (seal, screws, bolts and spanner).



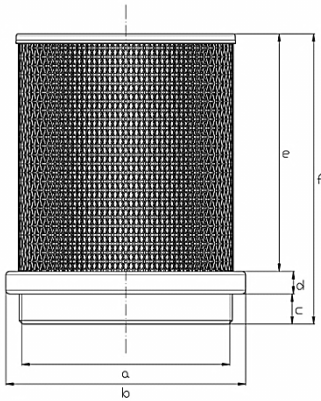
| Type  | Dn     | d   | H    | i   |
|-------|--------|-----|------|-----|
| PK 5  | 1" 1/2 | 48  | 30   | 92  |
| PK 6  | 2"     | 60  | 50   | 110 |
| PK 6A | 2"     | 60  | 59.5 | 130 |
| PK 8  | 3"     | 88  | 43   | 130 |
| PK 9  | 4"     | 113 | 46   | 150 |

| Type  | r   | t  | s  | Fig. | WEIGHT kg |
|-------|-----|----|----|------|-----------|
| PK 5  | 6.5 | 20 | 10 | 1    | 0,09      |
| PK 6  | 8.5 | 35 | 10 | 1    | 0,09      |
| PK 6A | 9   | 35 | 11 | 2    | 0,09      |
| PK 8  | 9   | 24 | 11 | 2    | 0,09      |
| PK 9  | 9   | 27 | 11 | 2    | 0,38      |

### DIMENSIONS (PK)



## INLET PROTECTION - IP

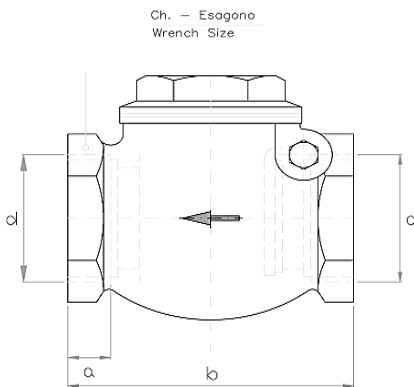


Steel mesh nylon threaded apart

### DIMENSIONS (IP)

| Type | a      | b   | c  | d  | e   | f   | CAPACITY<br>m <sup>3</sup> /h | WEIGHT<br>kg |
|------|--------|-----|----|----|-----|-----|-------------------------------|--------------|
| IP 5 | 1" 1/2 | 56  | 11 | 8  | 64  | 83  | 1200                          | 0,05         |
| IP 6 | 2"     | 68  | 13 | 8  | 78  | 99  | 1200                          | 0,07         |
| IP 8 | 3"     | 100 | 15 | 9  | 115 | 139 | 2000                          | 0,19         |
| IP 9 | 4"     | 127 | 16 | 12 | 125 | 153 | 2000                          | 0,28         |

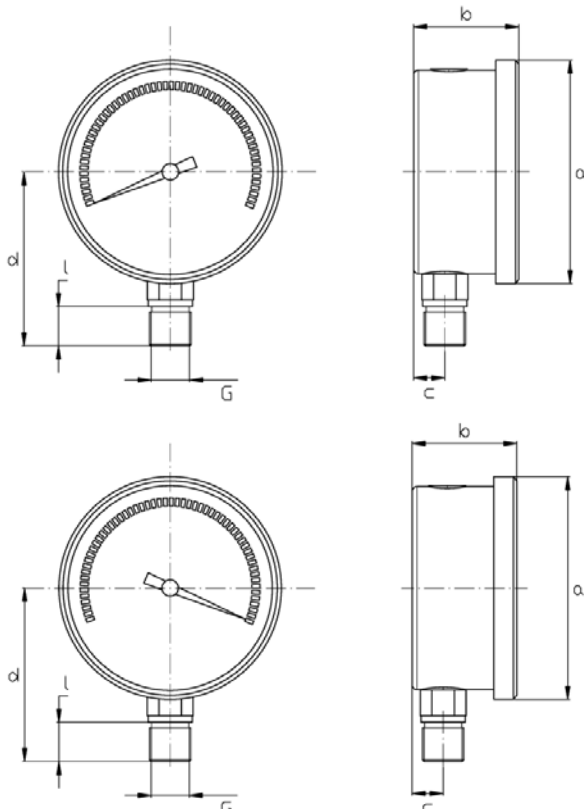
## CHECK VALVE - VC



### DIMENSIONS (VC)

| Type  | Dn     | d      | a  | b   | Ch.- Esagono | WEIGHT<br>kg |
|-------|--------|--------|----|-----|--------------|--------------|
| VC 1  | 1/2"   | 1/2"   | 8  | 47  | 25           | 0,15         |
| VC 2  | 3/4"   | 3/4"   | 8  | 52  | 32           | 0,20         |
| VC 3  | 1"     | 1"     | 10 | 62  | 38           | 0,30         |
| VC 4  | 1" 1/4 | 1" 1/4 | 10 | 74  | 47           | 0,40         |
| VC 5  | 1" 1/2 | 1" 1/2 | 10 | 86  | 55           | 0,80         |
| VC 6  | 2"     | 2"     | 12 | 97  | 67           | 1,00         |
| VC 8  | 3"     | 3"     | 12 | 133 | 95           | 2,30         |
| VC 9  | 4"     | 4"     | 20 | 180 | 124          | 5,10         |
| VC 10 | 5"     | 5"     | 22 | 206 | 150          | 10,55        |

## PRESSURE/VACUUM GAUGE - MC / MV



### DIMENSIONS (MC/MV)

| Type   | G    | a  | b  | c  | d  | l  | WEIGHT<br>kg |
|--------|------|----|----|----|----|----|--------------|
| MC 010 | 1/4" | 63 | 36 | 11 | 50 | 13 | 0,18         |
| MC 020 | 1/4" | 63 | 36 | 11 | 50 | 13 | 0,18         |

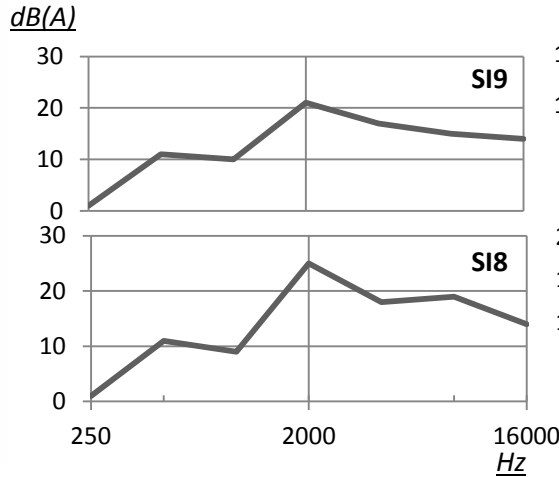
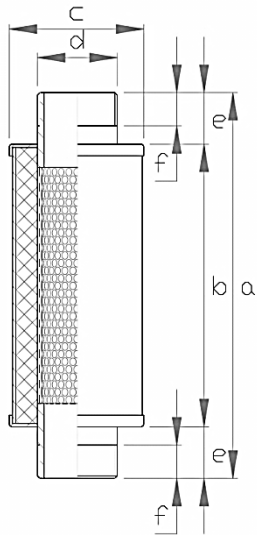
| Mod    | Δp            | PRECISION |
|--------|---------------|-----------|
| MC 010 | 0 ÷ 600 mbar  | 1,6%      |
| MC 020 | 0 ÷ 1000 mbar | 1,6%      |

| Type   | G    | a  | b  | c  | d  | l  | WEIGHT<br>kg |
|--------|------|----|----|----|----|----|--------------|
| MV 010 | 1/4" | 63 | 36 | 11 | 50 | 13 | 0,18         |

| Mod    | Δp           | PRECISION |
|--------|--------------|-----------|
| MV 010 | 600 ÷ 0 mbar | 1,6%      |

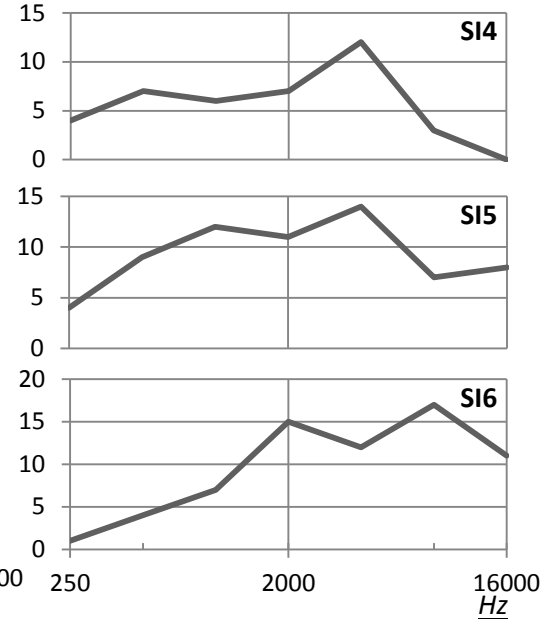
## INLINE SILENCER – SI/END MOUNTING SILENCER - SS

Inline silencer assembly with GAS threaded sleeves at both ends



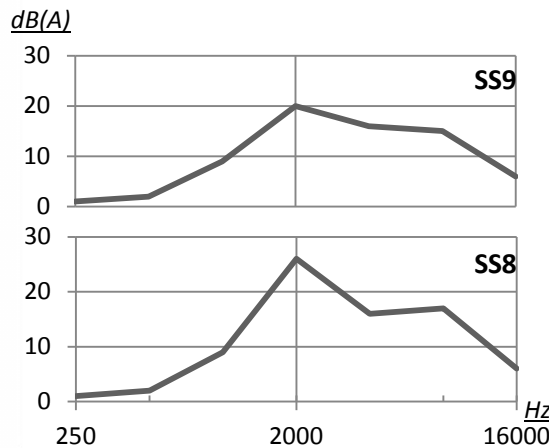
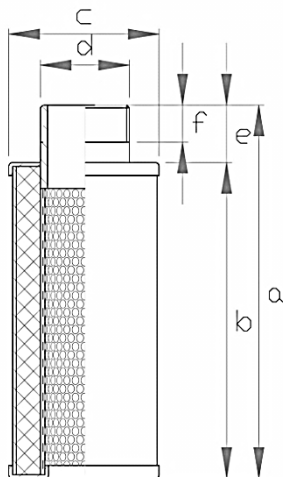
*dB(A)*

**DIMENSIONS (SI)**



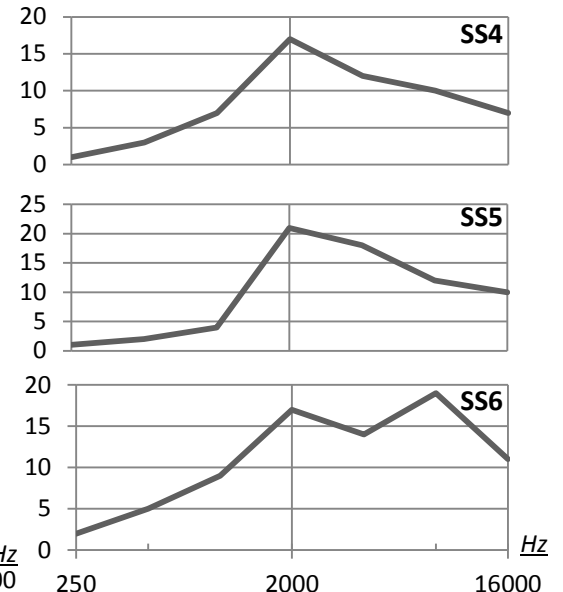
| Type | d      | a   | b   | c   | e  | f  | WEIGHT [kg] |
|------|--------|-----|-----|-----|----|----|-------------|
| SI 4 | 1" 1/4 | 240 | 140 | 70  | 50 | 15 | 0,54        |
| SI 5 | 1" 1/4 | 230 | 170 | 80  | 30 | 20 | 0,45        |
| SI 6 | 2"     | 260 | 200 | 90  | 30 | 20 | 0,45        |
| SI 8 | 3"     | 570 | 400 | 152 | 85 | 20 | 2,90        |
| SI 9 | 4"     | 485 | 415 | 168 | 27 | 20 | -           |

End mounting silencer with GAS threaded sleeve at one end and protective net at opposite end.



*dB(A)*

**DIMENSIONS (SS)**



| Type | d      | a   | b   | c   | e  | f  | WEIGHT [kg] |
|------|--------|-----|-----|-----|----|----|-------------|
| SS 4 | 1" 1/4 | 190 | 140 | 70  | 50 | 15 | 0,54        |
| SS 5 | 1" 1/4 | 200 | 170 | 80  | 30 | 20 | 0,45        |
| SS 6 | 2"     | 230 | 200 | 90  | 30 | 20 | 0,45        |
| SS 8 | 3"     | 485 | 400 | 152 | 85 | 20 | 2,10        |
| SS 9 | 4"     | 465 | 430 | 169 | 27 | 20 | -           |

Steel manufactured (apart from SI 9 / SS 9 - entirely in aluminium) with sound absorbing polyuretane element, the noise is reduced by adsorption.

Dimensions in mm - FOR REFERENCE ONLY



**FPZ, Inc**  
Soukville, Wisconsin  
USA  
usa@fpz.com

**FPZ Espana/Portugal**  
Pral, Barcelona  
Espana  
mila.lozano@fpz.com

**FPZ France S.a.r.l.**  
St. Priest  
France  
france@fpz.com

**HEADQUARTERS**  
**FPZ S.p.A.**  
Concorezzo (MB)  
Italy  
info@fpz.com

**FPZ México/LA**  
Zapopan, Jalisco  
México  
mexico@fpz.com

**FPZ UK**  
Andover, Hampshire  
United Kingdom  
uk@fpz.com

**FPZ Austria & Germany**  
Krems  
Austria  
vertrieb@fpz.com